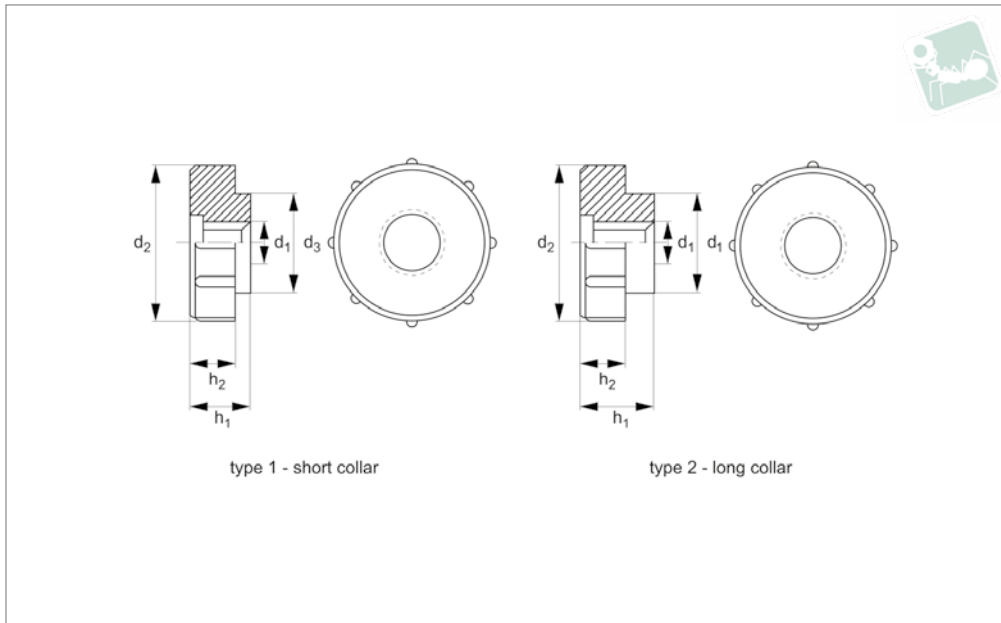




Knurled Thumb Nuts

coarse kurl

Nylon



N0106.06N

NYLON

Material

Nylon 66 (PA 6/66), standard.
White or black.

black, this subject to a minimum value and process charge, please contact us for further details.

insulation, is resistant to corrosion and most dilute acids.

Technical Notes

Many Nylon parts are available in dyed

Dyed black colour is not long term UV stable. Nylon parts offer good electrical

shocks and vibrations.

Order No.	Type	d ₁	d ₂	d ₃ max.	h ₁ max.	h ₂	Material	Grade	Finish
06N.10416.060.0W	one - short collar	M 4	16.0	9.5	6.0	4.5	PA-6/66	Std.	White
06N.10416.065.0W	one - short collar	M 4	16.0	10.0	6.5	4.5	PA-6/66	Std.	White
06N.10420.065.0W	one - short collar	M 4	20.0	10.0	6.5	5.0	PA-6/66	Std.	White
06N.10516.060.0W	one - short collar	M 5	16.0	10.0	6.0	4.5	PA-6/66	Std.	White
06N.10520.065.0W	one - short collar	M 5	20.0	10.0	6.5	5.0	PA-6/66	Std.	White
06N.10616.060.0W	one - short collar	M 6	16.0	10.0	6.0	4.5	PA-6/66	Std.	White
06N.10620.065.0W	one - short collar	M 6	20.0	10.0	6.5	5.0	PA-6/66	Std.	White
06N.10620.078.0W	one - short collar	M 6	20.0	10.0	7.8	6.0	PA-6/66	Std.	White
06N.10624.075.0W	one - short collar	M 6	24.0	10.0	7.5	5.7	PA-6/66	Std.	White
06N.20416.080.0W	two - long collar	M 4	16.0	9.5	8.0	4.5	PA-6/66	Std.	White
06N.20516.080.0W	two - long collar	M 5	16.0	9.5	8.0	4.5	PA-6/66	Std.	White
06N.20524.075.0W	two - long collar	M 5	24.0	10.0	7.5	5.7	PA-6/66	Std.	White
06N.20616.080.0W	two - long collar	M 6	16.0	9.5	8.0	4.5	PA-6/66	Std.	White
06N.20624.110.0W	two - long collar	M 6	24.0	13.0	11.0	6.0	PA-6/66	Std.	White