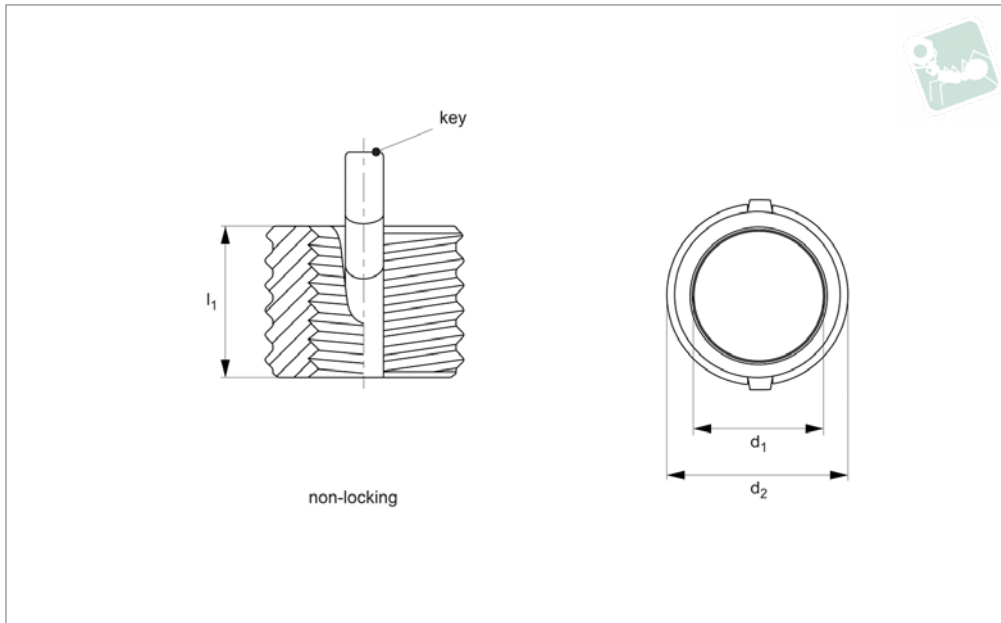




Threaded Insert MS/NAS - Mini - 303 stainless steel - non-locking - MS/NAS grade



TR1600

THREADED INSERTS STAINLESS

Material

Inserts - 303 CRES.
Keys - 302 CRES.
Passivated. Dry film lubrication on self-locking inserts only.

Technical Notes

All dimensions in millimetres.
Internal threads: to Fed. Std. H28/21, MJ Form

General tolerances -

+/- 0,25mm, unless specified.
Tap drill hole tolerances -
6,9 to 10,8 = +0,100/-0,025
12,8 and over = +0,130/-0,025
NL = Non-Locking type.

Tips

Order installation tool separately, as identified by „Inst. Tool ref.“ in table.

Important Notes

Four locking keys on internal threads M6 and over. Two locking keys on internal threads smaller than M6.
Installation (Inst.) drill size, counter sink, thread tap and thread depth as specified in table.
Removal (Rem.) drill size and drill depth as specified in table.

Order No.	Type	d ₁ tol. 4H 6H	Thread type d ₁	d ₂ tol. 4h	Thread type d ₂	l ₁	Inst. c'sink hole size +0.25 -0.00	Inst. tap drill size +0.080 - 0.025	Inst. tap to depth min.	Inst. thread tap tol. 6H	Inst. tool ref. TR1710	Removal drill size	Removal drill depth
TR1600.76382	NL	M 2x0, 4	Coarse	M 4x0, 7	Coarse	3.00	4.1	3.4	4.0	M 4x0,7	.0820	2.8	2.00
TR1600.76383	NL	M2,5 x0,4 5	Coarse	M4,5 x0,7 5	Coarse	3.81	4.6	3.9	5.0	M4,5x0 ,75	.0830	3.0	2.00
TR1600.76384	NL	M 3x0, 5	Coarse	M 5x0, 8	Coarse	4.25	5.1	4.4	5.5	M 5x0,8	.0840	3.5	2.25
TR1600.76386	NL	M 4x0, 7	Coarse	M 6x0, 75	Fine	5.25	6.1	5.5	6.5	M 6x0,75	.0860	4.6	2.50