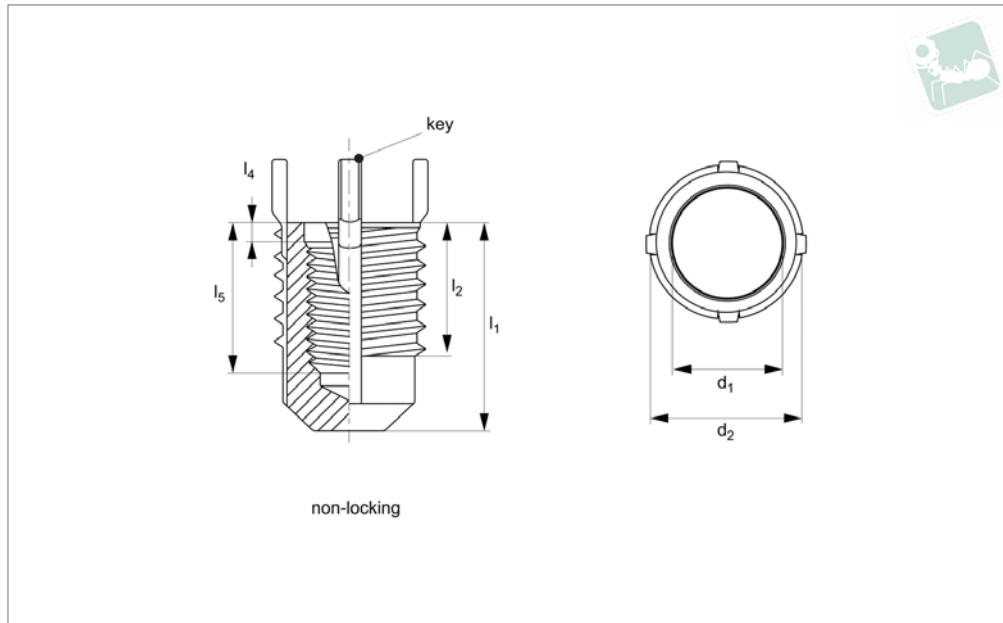




Blind Threaded Insert - H Duty - Inch

303 stainless steel - non-locking



TR1675

THREADED INSERTS STAINLESS

Material

Inserts - 303 CRES.
Keys - 302 CRES.
Passivated. Dry film lubrication on self-locking inserts only.

Technical Notes

All dimensions in inches.
Internal threads: to SAE AS8879.
General tolerances -
+/- 0,010 unless specified.

Tap drill hole tolerances -
0,234 to 0,500 = +0,004/-0,001
0,500 and over = +0,005/-0,001
NL = Non-Locking type.

Tips

Order installation tool separately, as identified by „Inst. Tool ref.“ in table.

Important Notes

Four locking keys on internal threads 5/16

and over. Two locking keys on internal threads smaller than 5/16.
Installation (Inst.) drill size, counter sink, thread tap and thread depth as specified in table.
Removal (Rem.) drill size and drill depth as specified in table.
Perform to standards: MIL-I-45914A

Order No.	Type	d ₁ tol. 3B	Thread type d ₁	d ₁ (mod.) class 2A	Thread type d ₂	l ₁	l ₂	l ₄ c'bore depth	l ₅	Inst. c'sink hole size +0.010 - 0.000	Inst. tap drill size	Inst. thread tap depth min.	Inst. thread tap size class 2B	Inst. tool ref. TR1705	Removal drill size	Removal drill depth
TR1675.83300	NL	8-32	UNC	5/16-18	UNC	,50	,31	,04	,31	,323	,272	,37	5/16-18	.0000	7/32	1/8
TR1675.83301	NL	10-24	UNC	3/8-16	UNC	,56	,31	,07	,31	,385	,332	,37	3/8-16	.0010	9/32	1/8
TR1675.83501	NL	10-32	UNF	3/8-16	UNC	,56	,31	,07	,31	,385	,332	,37	3/8-16	.0011	9/32	1/8
TR1675.83302	NL	1/4-20	UNC	7/16-14	UNC	,62	,37	,07	,37	,447	,397	,43	7/16-14	.0020	11/32	3/16
TR1675.83502	NL	1/4-28	UNF	7/16-14	UNC	,62	,37	,07	,37	,447	,397	,43	7/16-14	.0021	11/32	3/16
TR1675.83303	NL	5/16-18	UNC	1/2-13	UNC	,75	,43	,07	,43	,510	,453	,50	1/2-13	.0030	13/32	3/16
TR1675.83503	NL	5/16-24	UNF	1/2-13	UNC	,75	,43	,07	,43	,510	,453	,50	1/2-13	.0031	13/32	3/16
TR1675.83304	NL	3/8-16	UNC	9/16-12	UNC	,81	,50	,07	,50	,572	,516	,56	9/16-12	.0040	15/32	3/16
TR1675.83504	NL	3/8-24	UNF	9/16-12	UNC	,81	,50	,07	,50	,572	,516	,56	9/16-12	.0041	15/32	3/16
TR1675.83305	NL	7/16-14	UNC	5/8-11	UNC	1,00	,62	,10	,62	,635	,578	,68	5/8-11	.0050	17/32	3/16
TR1675.83505	NL	7/16-20	UNF	5/8-11	UNC	1,00	,62	,10	,62	,635	,578	,68	5/8-11	.0051	17/32	3/16
TR1675.83306	NL	1/2-13	UNC	11/16-11NS	UNS	1,06	,68	,10	,68	,700	,641	,75	11/16-11NS	.0060	19/32	3/16
TR1675.83506	NL	1/2-20	UNF	11/16-11NS	UNS	1,06	,68	,10	,68	,700	,641	,75	11/16-11NS	.0061	19/32	3/16
TR1675.83307	NL	9/16-12	UNC	13/16-16	UN	1,25	,81	,10	,81	,822	,766	,94	13/16-16	.0070	23/32	3/16
TR1675.83507	NL	9/16-18	UNF	13/16-16	UN	1,25	,81	,10	,81	,822	,766	,94	13/16-16	.0071	23/32	3/16
TR1675.83308	NL	5/8-11	UNC	7/8-14	UNF	1,31	,87	,10	,87	,885	,828	1,00	7/8-14	.0080	25/32	3/16
TR1675.83508	NL	5/8-18	UNF	7/8-14	UNF	1,31	,87	,10	,87	,885	,828	1,00	7/8-14	.0081	25/32	3/16
TR1675.83509	NL	3/4-16	UNF	1-1/8-12	UNF	1,75	1,25	,10	1,25	1,145	1,062	1,44	1-1/8-12	.0091	31/32	5/16
TR1675.83310	NL	7/8-9	UNF	1-1/4-12	UNF	1,94	1,37	,10	1,37	1,270	1,187	1,56	1-1/4-12	.0100	1-3/32	5/16
TR1675.83510	NL	7/8-14	UNC	1-1/4-12	UNF	1,94	1,37	,10	1,37	1,270	1,187	1,56	1-1/4-12	.0101	1-3/32	5/16
TR1675.83311	NL	1-8	UNF	1-3/8-12	UNF	2,12	1,50	,10	1,50	1,395	1,312	1,68	1-3/8-12	.0110	1-7/32	5/16
TR1675.83511	NL	1-12	UNC	1-3/8-12	UNF	2,12	1,50	,10	1,50	1,395	1,312	1,68	1-3/8-12	.0111	1-7/32	5/16