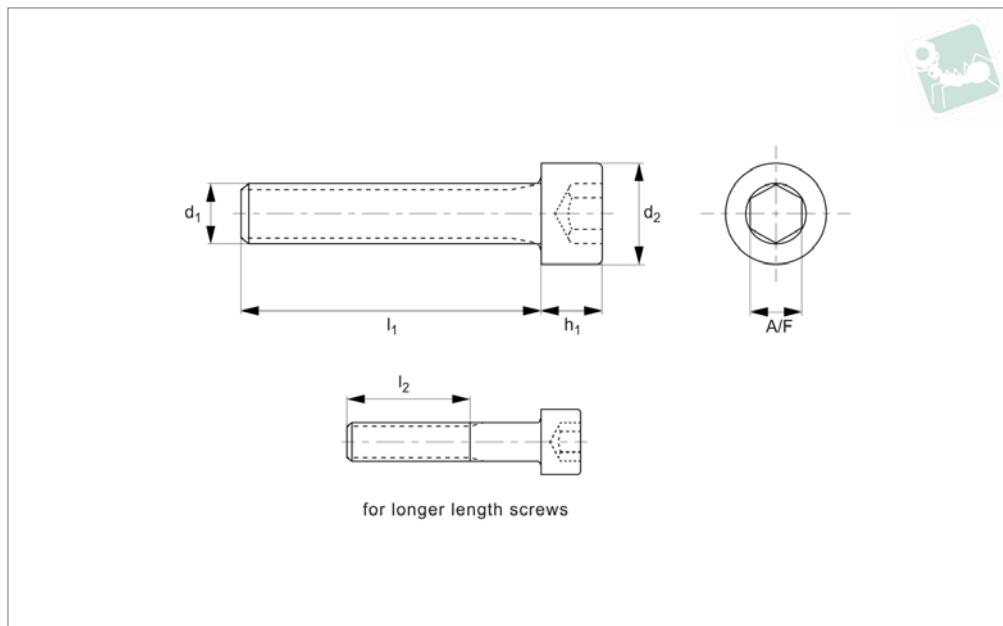




# Hexagon Socket Head Cap Screws

Hexagon socket head, DIN 912, 7075

Aluminium



**A0020.A7**

ALUMINIUM

## Material

Aluminium high tensile.

threaded.

See technical page for tightening torques.

## Technical Notes

Similar to DIN 912, ISO 4762. All fully

Order No.	Thread	$l_1$	$d_2$	$h_1$	A/F	Material	Finish
A0020.040-010	M 4	10	7	4	3	Aluminium	clear anodised
A0020.040-012	M 4	12	7	4	3	Aluminium	clear anodised
A0020.040-016	M 4	16	7	4	3	Aluminium	clear anodised
A0020.040-020	M 4	20	7	4	3	Aluminium	clear anodised
A0020.040-025	M 4	25	7	4	3	Aluminium	clear anodised
A0020.040-030	M 4	30	7	4	3	Aluminium	clear anodised
A0020.040-035	M 4	35	7	4	3	Aluminium	clear anodised
A0020.050-010	M 5	10	8.5	5	4	Aluminium	clear anodised
A0020.050-012	M 5	12	8.5	5	4	Aluminium	clear anodised
A0020.050-016	M 5	16	8.5	5	4	Aluminium	clear anodised
A0020.050-020	M 5	20	8.5	5	4	Aluminium	clear anodised
A0020.050-025	M 5	25	8.5	5	4	Aluminium	clear anodised
A0020.050-030	M 5	30	8.5	5	4	Aluminium	clear anodised
A0020.050-040	M 5	40	8.5	5	4	Aluminium	clear anodised
A0020.060-010	M 6	10	10	6	5	Aluminium	clear anodised
A0020.060-012	M 6	12	10	6	5	Aluminium	clear anodised
A0020.060-016	M 6	16	10	6	5	Aluminium	clear anodised
A0020.060-020	M 6	20	10	6	5	Aluminium	clear anodised
A0020.060-025	M 6	25	10	6	5	Aluminium	clear anodised
A0020.060-030	M 6	30	10	6	5	Aluminium	clear anodised
A0020.060-035	M 6	35	10	6	5	Aluminium	clear anodised
A0020.060-040	M 6	40	10	6	5	Aluminium	clear anodised
A0020.060-050	M 6	50	10	6	5	Aluminium	clear anodised
A0020.060-060	M 6	60	10	6	5	Aluminium	clear anodised
A0020.060-070	M 6	70	10	6	5	Aluminium	clear anodised
A0020.080-015	M 8	15	13	8	6	Aluminium	clear anodised
A0020.080-020	M 8	20	13	8	6	Aluminium	clear anodised
A0020.080-025	M 8	25	13	8	6	Aluminium	clear anodised
A0020.080-030	M 8	30	13	8	6	Aluminium	clear anodised
A0020.080-040	M 8	40	13	8	6	Aluminium	clear anodised
A0020.080-050	M 8	50	13	8	6	Aluminium	clear anodised
A0020.100-030	M10	30	16	10	8	Aluminium	clear anodised
A0020.100-040	M10	40	16	10	8	Aluminium	clear anodised
A0020.100-050	M10	50	16	10	8	Aluminium	clear anodised

# Hexagon Socket Head Cap Screws

Hexagon socket head, DIN 912, 7075



<b>Order No.</b>	Thread	$l_1$	$d_2$	$h_1$	A/F	Material	Finish
<b>A0020.100-060</b>	M10	60	16	10	8	Aluminium	clear anodised

ALUMINIUM