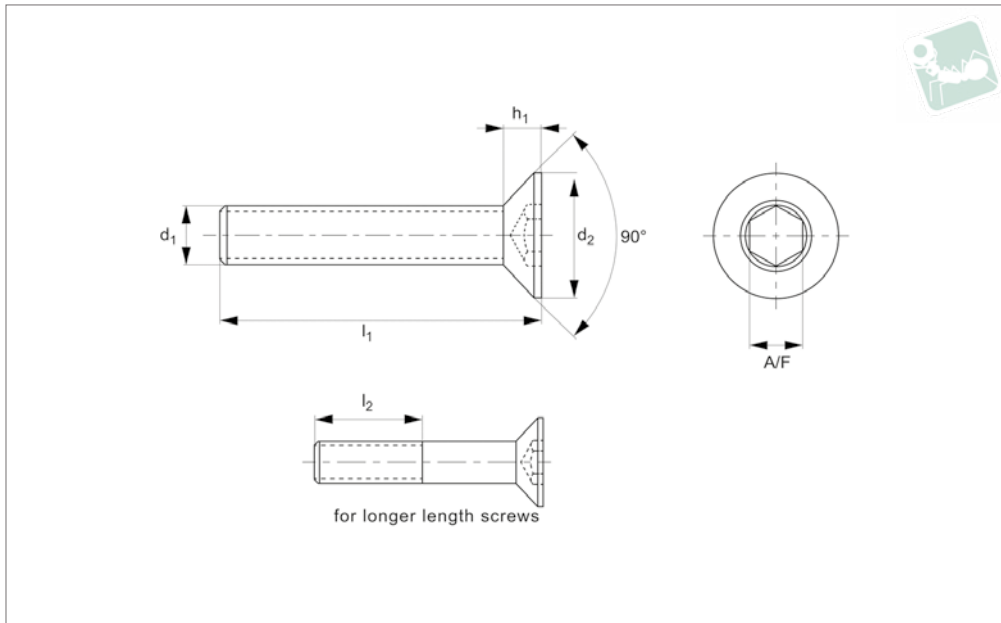




# Socket Csk Head Screws

Csk, DIN 7991

Brass



**B0021.B0**

BRASS

### Material

Brass, Cu3 (CuZn39Pb3).

### Technical Notes

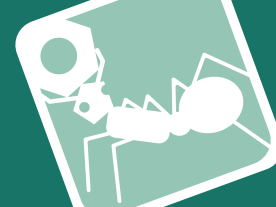
To DIN 7991. ISO 2009. For the majority of

screw lengths the threads goes all the way to the head of the screw (i.e.  $l_1 = l_2$ ) less 2.5 thread pitches.

For longer length screws the threaded

portion  $l_2 < l_1$ .

Order No.	d <sub>1</sub>	l <sub>1</sub>	d <sub>2</sub>	h <sub>1</sub>	l <sub>2</sub>	A/F
B0021.040-010	M 4	10	8	2.3	-	2.5
B0021.040-012	M 4	12	8	2.3	-	2.5
B0021.040-020	M 4	20	8	2.3	14	2.5
B0021.040-025	M 4	25	8	2.3	14	2.5
B0021.050-010	M 5	10	10	2.8	-	3.0
B0021.050-012	M 5	12	10	2.8	-	3.0
B0021.050-016	M 5	16	10	2.8	-	3.0
B0021.050-020	M 5	20	10	2.8	16	3.0
B0021.050-025	M 5	25	10	2.8	16	3.0
B0021.050-030	M 5	30	10	2.8	16	3.0
B0021.060-010	M 6	10	12.0	3.30	-	4.0
B0021.060-012	M 6	12	12.0	3.30	-	4.0
B0021.060-016	M 6	16	12.0	3.30	-	4.0
B0021.060-020	M 6	20	12.0	3.30	18	4.0
B0021.060-025	M 6	25	12.0	3.30	18	4.0
B0021.060-030	M 6	30	12.0	3.30	18	4.0
B0021.060-035	M 6	35	12.0	3.30	18	4.0
B0021.060-040	M 6	40	12.0	3.30	18	4.0
B0021.060-050	M 6	50	12.0	3.30	18	4.0
B0021.060-060	M 6	60	12.0	3.30	18	4.0
B0021.060-070	M 6	70	12.0	3.30	18	4.0
B0021.060-080	M 6	80	12.0	3.30	18	4.0
B0021.060-090	M 6	90	12.0	3.30	18	4.0
B0021.080-012	M 8	12	16.0	4.40	-	5.0
B0021.080-016	M 8	16	16.0	4.40	-	5.0
B0021.080-020	M 8	20	16.0	4.40	-	5.0
B0021.080-025	M 8	25	16.0	4.40	22	5.0
B0021.080-030	M 8	30	16.0	4.40	22	5.0
B0021.080-035	M 8	35	16.0	4.40	22	5.0
B0021.080-040	M 8	40	16.0	4.40	22	5.0
B0021.100-016	M10	16	20.0	5.50	-	6.0
B0021.100-020	M10	20	20.0	5.50	-	6.0
B0021.100-025	M10	25	20.0	5.50	-	6.0
B0021.100-030	M10	30	20.0	5.50	26	6.0



Order No.	d <sub>1</sub>	l <sub>1</sub>	d <sub>2</sub>	h <sub>1</sub>	l <sub>2</sub>	A/F
B0021.100-035	M10	35	20.0	5.50	26	6.0
B0021.100-040	M10	40	20.0	5.50	26	6.0
B0021.100-050	M10	50	20.0	5.50	26	6.0
B0021.120-020	M12	20	24.0	6.50	-	8.0
B0021.120-025	M12	25	24.0	6.50	-	8.0
B0021.120-030	M12	30	24.0	6.50	-	8.0
B0021.120-040	M12	40	24.0	6.50	30	8.0
B0021.120-050	M12	50	24.0	6.50	30	8.0
B0021.120-060	M12	60	24.0	6.50	30	8.0
B0021.120-070	M12	70	24.0	6.50	30	8.0
B0021.120-080	M12	80	24.0	6.50	30	8.0
B0021.120-090	M12	90	24.0	6.50	30	8.0
B0021.160-080	M16	80	30.0	7.50	38	10.0
B0021.160-090	M16	90	30.0	7.50	38	10.0