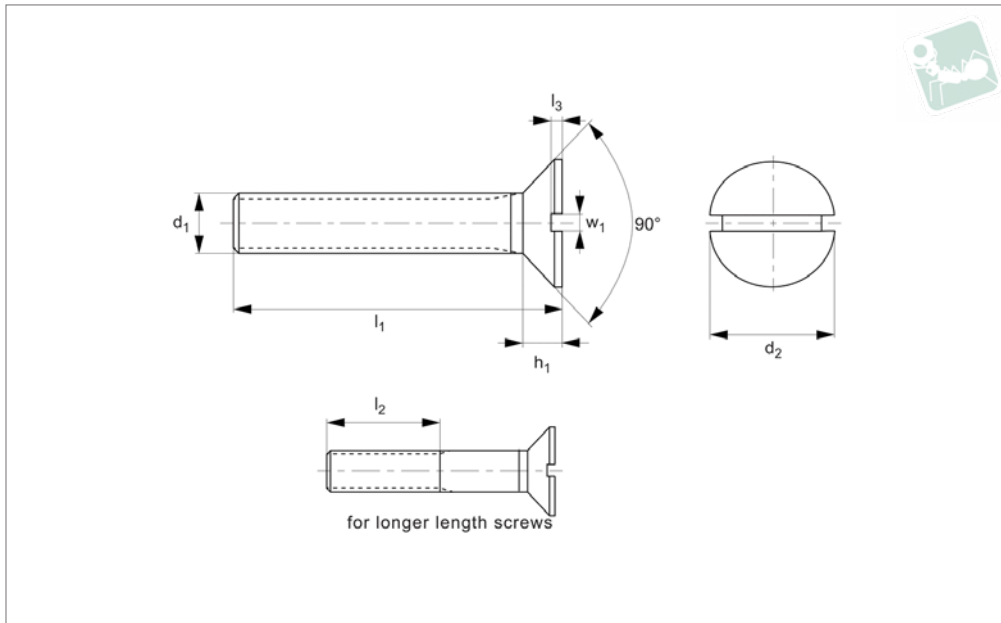




Slotted Flat Head Csk Screws

DIN 963

Brass



B0023.B0

BRASS

Material

Brass, Cu3 (Cu₂39Pb₃).

lengths the threads goes all the way to the head of the screw (i.e. $l_1 = l_2$) less 2.5 thread pitches.

portion $l_2 < l_1$.

Technical Notes

To DIN 963. For the majority of screw

For longer length screws the threaded

Order No.	d_1	l_1	d_2	l_2	l_3	h	w
B0023.020-004	M 2	4	3.8	-	0.40	10.0	0.5
B0023.020-005	M 2	5	3.8	-	0.40	10.0	0.5
B0023.020-006	M 2	6	3.8	-	0.40	-	0.5
B0023.020-008	M 2	8	3.8	-	0.40	w	0.5
B0023.020-010	M 2	10	3.8	-	0.40	0.4	0.5
B0023.025-004	M2,5	4	4.7	-	0.50	1.50	0.6
B0023.025-005	M2,5	5	4.7	-	0.50	1.50	0.6
B0023.025-006	M2,5	6	4.7	-	0.50	1.50	0.6
B0023.025-008	M2,5	8	4.7	-	0.50	1.50	0.6
B0023.025-010	M2,5	10	4.7	-	0.50	1.50	0.6
B0023.025-012	M2,5	12	4.7	-	0.50	1.50	0.6
B0023.025-016	M2,5	16	4.7	-	0.50	1.50	0.6
B0023.030-004	M 3	4	5.6	-	0.60	1.65	0.8
B0023.030-005	M 3	5	5.6	-	0.60	1.65	0.8
B0023.030-006	M 3	6	5.6	-	0.60	1.65	0.8
B0023.030-008	M 3	8	5.6	-	0.60	1.65	0.8
B0023.030-010	M 3	10	5.6	-	0.60	1.65	0.8
B0023.030-012	M 3	12	5.6	-	0.60	1.65	0.8
B0023.030-016	M 3	16	5.6	-	0.60	1.65	0.8
B0023.030-018	M 3	18	5.6	-	0.60	1.65	0.8
B0023.030-020	M 3	20	5.6	19	0.60	1.65	0.8
B0023.030-025	M 3	25	5.6	19	0.60	1.65	0.8
B0023.030-030	M 3	30	5.6	19	0.60	1.65	0.8
B0023.030-035	M 3	35	5.6	19	0.60	1.65	0.8
B0023.030-040	M 3	35	5.6	19	0.60	1.65	0.8
B0023.030-045	M 3	35	5.6	19	0.60	1.65	0.8
B0023.030-050	M 3	35	5.6	19	0.60	1.65	0.8
B0023.040-005	M 4	5	7.5	-	0.80	2.20	1.0
B0023.040-006	M 4	6	7.5	-	0.80	2.20	1.0
B0023.040-008	M 4	8	7.5	-	0.80	2.20	1.0
B0023.040-010	M 4	10	7.5	-	0.80	2.20	1.0
B0023.040-012	M 4	12	7.5	-	0.80	2.20	1.0
B0023.040-016	M 4	16	7.5	-	0.80	2.20	1.0
B0023.040-018	M 4	18	7.5	-	0.80	2.20	1.0



Order No.	d ₁	l ₁	d ₂	l ₂	l ₃	h	w
B0023.040-020	M 4	20	7.5	-	0.80	2.20	1.0
B0023.040-025	M 4	25	7.5	22	0.80	2.20	1.0
B0023.040-030	M 4	30	7.5	22	0.80	2.20	1.0
B0023.040-035	M 4	35	7.5	22	0.80	2.20	1.0
B0023.040-040	M 4	40	7.5	22	0.80	2.20	1.0
B0023.040-045	M 4	45	7.5	22	0.80	2.20	1.0
B0023.040-050	M 4	50	7.5	22	0.80	2.20	1.0
B0023.050-008	M 5	8	9.2	-	1.00	2.50	1.2
B0023.050-010	M 5	10	9.2	-	1.00	2.50	1.2
B0023.050-012	M 5	12	9.2	-	1.00	2.50	1.2
B0023.050-016	M 5	16	9.2	-	1.00	2.50	1.2
B0023.050-018	M 5	18	9.2	-	1.00	2.50	1.2
B0023.050-020	M 5	20	9.2	-	1.00	2.50	1.2
B0023.050-025	M 5	25	9.2	25	1.00	2.50	1.2
B0023.050-030	M 5	30	9.2	25	1.00	2.50	1.2
B0023.050-035	M 5	35	9.2	25	1.00	2.50	1.2
B0023.050-040	M 5	40	9.2	25	1.00	2.50	1.2
B0023.050-045	M 5	45	9.2	25	1.00	2.50	1.2
B0023.050-050	M 5	50	9.2	25	1.00	2.50	1.2
B0023.050-060	M 5	60	9.2	25	1.00	2.50	1.2
B0023.050-070	M 5	70	9.2	25	1.00	2.50	1.2
B0023.050-080	M 5	80	9.2	25	1.00	2.50	1.2
B0023.050-090	M 5	90	9.2	25	1.00	2.50	1.2
B0023.050-100	M 5	100	9.2	25	1.00	2.50	1.2
B0023.060-008	M 6	8	11.0	-	1.20	3.00	1.6
B0023.060-010	M 6	10	11.0	-	1.20	3.00	1.6
B0023.060-012	M 6	12	11.0	-	1.20	3.00	1.6
B0023.060-016	M 6	16	11.0	-	1.20	3.00	1.6
B0023.060-018	M 6	18	11.0	-	1.20	3.00	1.6
B0023.060-020	M 6	20	11.0	-	1.20	3.00	1.6
B0023.060-025	M 6	25	11.0	-	1.20	3.00	1.6
B0023.060-030	M 6	30	11.0	28	1.20	3.00	1.6
B0023.060-035	M 6	35	11.0	28	1.20	3.00	1.6
B0023.060-040	M 6	40	11.0	28	1.20	3.00	1.6
B0023.060-045	M 6	45	11.0	28	1.20	3.00	1.6
B0023.060-050	M 6	50	11.0	28	1.20	3.00	1.6
B0023.060-060	M 6	60	11.0	28	1.20	3.00	1.6
B0023.060-070	M 6	70	11.0	28	1.20	3.00	1.6
B0023.060-080	M 6	80	11.0	28	1.20	3.00	1.6
B0023.060-090	M 6	90	11.0	28	1.20	3.00	1.6
B0023.060-100	M 6	100	11.0	28	1.20	3.00	1.6
B0023.080-012	M 8	12	14.5	-	1.60	4.0	2.0
B0023.080-016	M 8	16	14.5	-	1.60	4.0	2.0
B0023.080-018	M 8	18	14.5	-	1.60	4.0	2.0
B0023.080-020	M 8	20	14.5	-	1.60	4.0	2.0
B0023.080-025	M 8	25	14.5	-	1.60	4.0	2.0
B0023.080-030	M 8	30	14.5	-	1.60	4.0	2.0
B0023.080-035	M 8	35	14.5	34	1.60	4.0	2.0
B0023.080-040	M 8	40	14.5	34	1.60	4.0	2.0
B0023.080-045	M 8	45	14.5	34	1.60	4.0	2.0
B0023.080-050	M 8	50	14.5	34	1.60	4.0	2.0
B0023.080-060	M 8	60	14.5	34	1.60	4.0	2.0
B0023.080-070	M 8	70	14.5	34	1.60	4.0	2.0
B0023.080-080	M 8	80	14.5	34	1.60	4.0	2.0
B0023.080-090	M 8	90	14.5	34	1.60	4.0	2.0
B0023.100-020	M10	20	18.0	-	2.00	5.0	2.5
B0023.100-025	M10	25	18.0	-	2.00	5.0	2.5
B0023.100-030	M10	30	18.0	-	2.00	5.0	2.5
B0023.100-035	M10	35	18.0	-	2.00	5.0	2.5
B0023.100-040	M10	40	18.0	40	2.00	5.0	2.5
B0023.100-045	M10	45	18.0	40	2.00	5.0	2.5
B0023.100-050	M10	50	18.0	40	2.00	5.0	2.5
B0023.100-060	M10	60	18.0	40	2.00	5.0	2.5
B0023.100-070	M10	70	18.0	40	2.00	5.0	2.5
B0023.100-080	M10	80	18.0	40	2.00	5.0	2.5
B0023.100-090	M10	90	18.0	40	2.00	5.0	2.5
B0023.120-016	M12	16	22.0	-	2.40	6.0	3.0
B0023.120-018	M12	18	22.0	-	2.40	6.0	3.0
B0023.120-020	M12	20	22.0	-	2.40	6.0	3.0



Slotted Flat Head Csk Screws

DIN 963

Brass

Order No.	d ₁	l ₁	d ₂	l ₂	l ₃	h	w
B0023.120-025	M12	25	22.0	-	2.40	6.0	3.0
B0023.120-030	M12	30	22.0	-	2.40	6.0	3.0
B0023.120-035	M12	35	22.0	-	2.40	6.0	3.0
B0023.120-040	M12	40	22.0	-	2.40	6.0	3.0
B0023.120-045	M12	45	22.0	46	2.40	6.0	3.0
B0023.120-050	M12	50	22.0	46	2.40	6.0	3.0
B0023.120-060	M12	60	22.0	46	2.40	6.0	3.0
B0023.120-070	M12	70	22.0	46	2.40	6.0	3.0
B0023.120-080	M12	80	22.0	46	2.40	6.0	3.0
B0023.120-090	M12	90	22.0	46	2.40	6.0	3.0
B0023.120-100	M12	100	22.0	46	2.40	6.0	3.0

BRASS