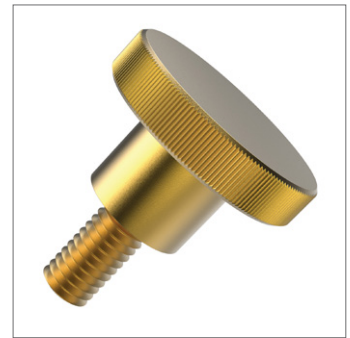
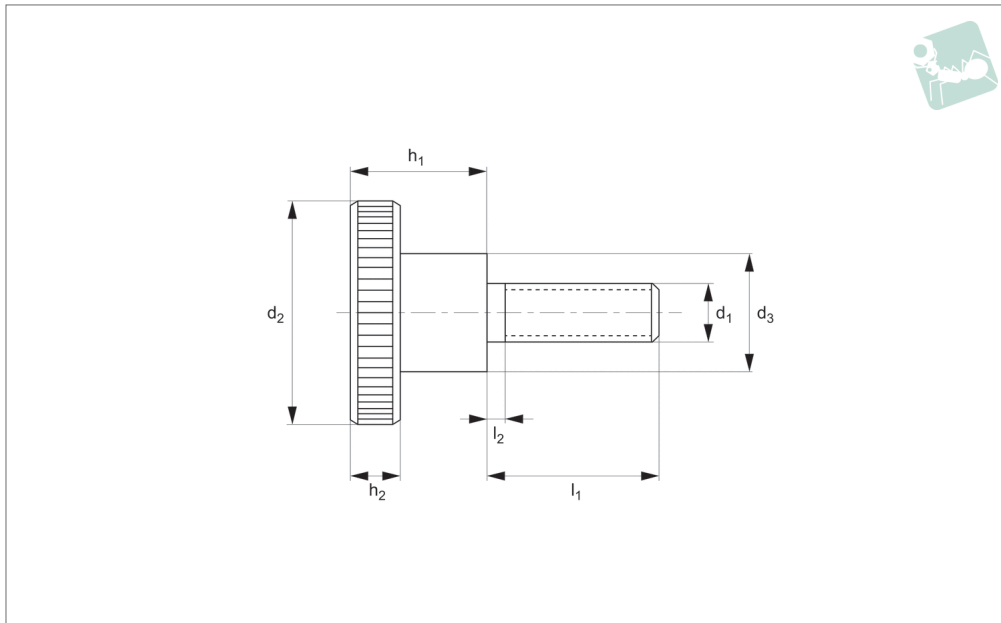




# Brass Knurled Thumb Screws

brass

Brass



**B0100.B0**

BRASS

## Material

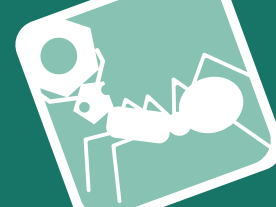
Brass.

piece manufactured, contrary to the official standard sheet, they all have a thread up to the head, as shown, but no recess at the thread end.

## Technical Notes

To DIN 464, all knurled screws are one-

Order No.	d <sub>1</sub>	l <sub>1</sub>	d <sub>2</sub>	d <sub>3</sub>	h <sub>1</sub>	h <sub>2</sub>	l <sub>2</sub>
B0100.030-004-B0-00	M 3	4	12	6	7.5	2.5	2
B0100.030-006-B0-00	M 3	6	12	6	7.5	2.5	2
B0100.030-008-B0-00	M 3	8	12	6	7.5	2.5	2
B0100.030-010-B0-00	M 3	10	12	6	7.5	2.5	2
B0100.030-012-B0-00	M 3	12	12	6	7.5	2.5	2
B0100.030-016-B0-00	M 3	16	12	6	7.5	2.5	2
B0100.040-006-B0-00	M 4	6	16	8	9.5	3.5	2
B0100.040-008-B0-00	M 4	8	16	8	9.5	3.5	2
B0100.040-010-B0-00	M 4	10	16	8	9.5	3.5	2
B0100.040-012-B0-00	M 4	12	16	8	9.5	3.5	2
B0100.040-016-B0-00	M 4	16	16	8	9.5	3.5	2
B0100.040-020-B0-00	M 4	20	16	8	9.5	3.5	2
B0112.040-030-B0-00	M 4	30	16	8	9.5	3.5	2
B0100.050-006-B0-00	M 5	6	20	10	11.5	4.0	2
B0100.050-008-B0-00	M 5	8	20	10	11.5	4.0	2
B0100.050-010-B0-00	M 5	10	20	10	11.5	4.0	2
B0100.050-012-B0-00	M 5	12	20	10	11.5	4.0	2
B0100.050-016-B0-00	M 5	16	20	10	11.5	4.0	2
B0100.050-020-B0-00	M 5	20	20	10	11.5	4.0	2
B0100.050-025-B0-00	M 5	25	20	10	11.5	4.0	2
B0100.050-030-B0-00	M 5	30	20	10	11.5	4.0	2
B0100.060-008-B0-00	M 6	8	24	12	15.0	5.0	2
B0100.060-010-B0-00	M 6	10	24	12	15.0	5.0	2
B0100.060-012-B0-00	M 6	12	24	12	15.0	5.0	2
B0100.060-016-B0-00	M 6	16	24	12	15.0	5.0	2
B0100.060-020-B0-00	M 6	20	24	12	15.0	5.0	2
B0100.060-025-B0-00	M 6	25	24	12	15.0	5.0	2
B0100.060-030-B0-00	M 6	30	24	12	15.0	5.0	2
B0100.060-040-B0-00	M 6	40	24	12	15.0	5.0	2
B0100.080-012-B0-00	M 8	12	30	16	18.0	6.0	2
B0100.080-016-B0-00	M 8	16	30	16	18.0	6.0	2
B0100.080-020-B0-00	M 8	20	30	16	18.0	6.0	2
B0100.080-025	M 8	25	30	16	18.0	6.0	2
B0100.080-030-B0-00	M 8	30	30	16	18.0	6.0	2



Order No.	d <sub>1</sub>	l <sub>1</sub>	d <sub>2</sub>	d <sub>3</sub>	h <sub>1</sub>	h <sub>2</sub>	l <sub>2</sub>
B0100.080-040-B0-00	M 8	40	30	16	18.0	6.0	2