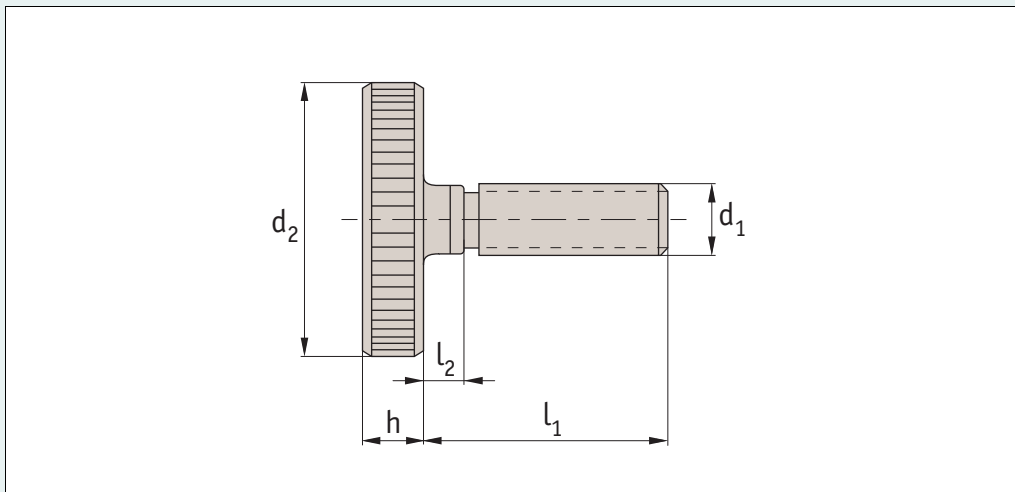


### B0106.B0



**Material**  
Brass, Cu3 (Cuzn39Pb3).

**Technical Notes**  
To DIN 653.

Order No.	Thread	$l_1$	$\begin{matrix} \Delta \\ \pm \\ g \end{matrix}$	$d_2$	$h$	$l_2$	Material
B0106.030-006	M 3	6,0	2,3	12	2,5	2,0	Brass
B0106.030-008	M 3	8,0	2,4	12	2,5	2,0	Brass
B0106.030-010	M 3	10	2,5	12	2,5	2,0	Brass
B0106.030-012	M 3	12	2,6	12	2,5	2,0	Brass
B0106.030-016	M 3	16	2,7	12	2,5	2,0	Brass
B0106.030-020	M 3	20	2,7	12	2,5	2,0	Brass
B0106.030-025	M 3	25	2,7	12	2,5	2,0	Brass
B0106.040-008	M 4	8,0	6,1	16	3,5	3,0	Brass
B0106.040-010	M 4	10	6,2	16	3,5	3,0	Brass
B0106.040-012	M 4	12	6,4	16	3,5	3,0	Brass
B0106.040-016	M 4	16	6,7	16	3,5	3,0	Brass
B0106.040-020	M 4	20	6,7	16	3,5	3,0	Brass
B0106.040-025	M 4	25	6,7	16	3,5	3,0	Brass
B0106.050-008	M 5	8	11,0	20	4,0	3,0	Brass
B0106.050-010	M 5	10	11,0	20	4,0	3,0	Brass
B0106.050-012	M 5	12	11,3	20	4,0	3,0	Brass
B0106.050-016	M 5	16	11,7	20	4,0	3,0	Brass
B0106.050-020	M 5	20	12,0	20	4,0	3,0	Brass
B0106.050-025	M 5	25	12,0	20	4,0	3,0	Brass
B0106.050-030	M 5	30	12,0	20	4,0	3,0	Brass
B0106.060-010	M 6	10	20,0	24,0	5,0	4,0	Brass
B0106.060-012	M 6	12	20,0	24,0	5,0	4,0	Brass
B0106.060-016	M 6	16	20,4	24,0	5,0	4,0	Brass
B0106.060-020	M 6	20	21,0	24,0	5,0	4,0	Brass
B0106.060-025	M 6	25	25,0	24,0	5,0	4,0	Brass
B0106.060-030	M 6	30	22,0	24,0	5,0	4,0	Brass
B0106.060-040	M 6	40	22,0	24,0	5,0	4,0	Brass
B0106.080-016	M 8	16	40,0	30,0	6,0	5,0	Brass
B0106.080-020	M 8	20	40,0	30,0	6,0	5,0	Brass
B0106.080-025	M 8	25	42,0	30,0	6,0	5,0	Brass
B0106.080-030	M 8	30	43,0	30,0	6,0	5,0	Brass
B0106.080-040	M 8	40	45,0	30,0	6,0	5,0	Brass