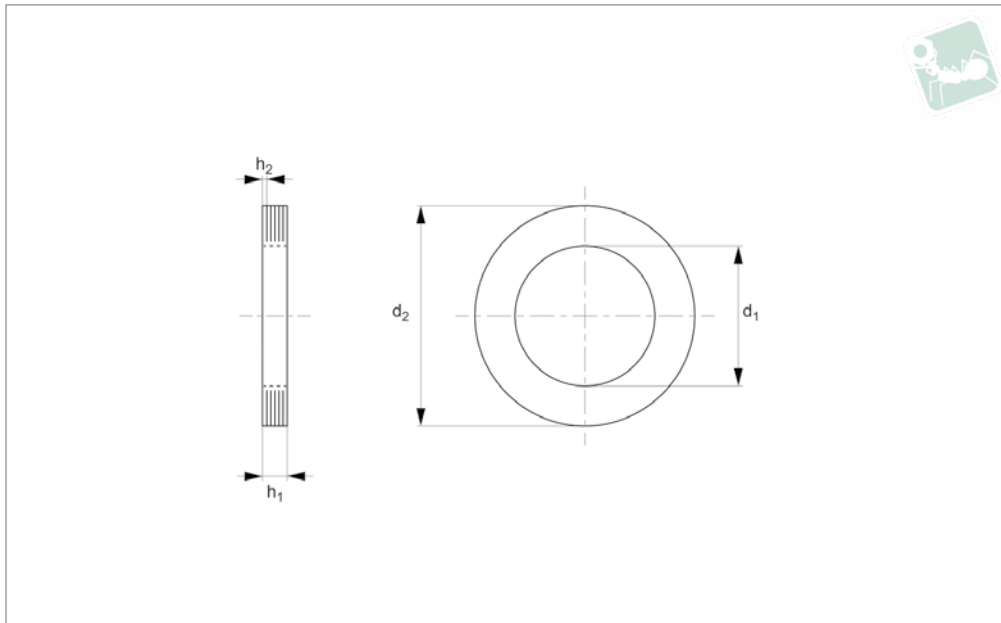




Laminated Shim Spacers

brass

Brass



B0418.B0

BRASS

Material

Brass, Cu3 (Cu₂Zn₃Pb₃). With 0,05mm laminations.

Technical Notes

The inner race spacers fits onto shafts and

preloads inner race of ball bearing.

The outer race fits into the housing and preloads outer race of ball bearing.

The outer race fits into the housing and preloads outer race of ball bearing.

Tips

The laminations can be peeled off as required.

Order No.	For shaft	d ₁ ±0.1	d ₂ +0.0 -0.1	h ₂	h ₁ ±0.1	Finished
B0418.030-I	3	3.2	5.9	0.05	0.8	Laminated
B0418.050-I	5	5.2	9.5	0.05	0.8	Laminated
B0418.060-I	6	6.2	12.7	0.05	0.8	Laminated
B0418.100-I	10	10.2	15.9	0.05	0.8	Laminated
B0418.010-O	10	7.9	10.0	0.05	0.8	Laminated
B0418.013-O	13	9.5	13.0	0.05	0.8	Laminated
B0418.016-O	16	11.1	16.0	0.05	0.8	Laminated