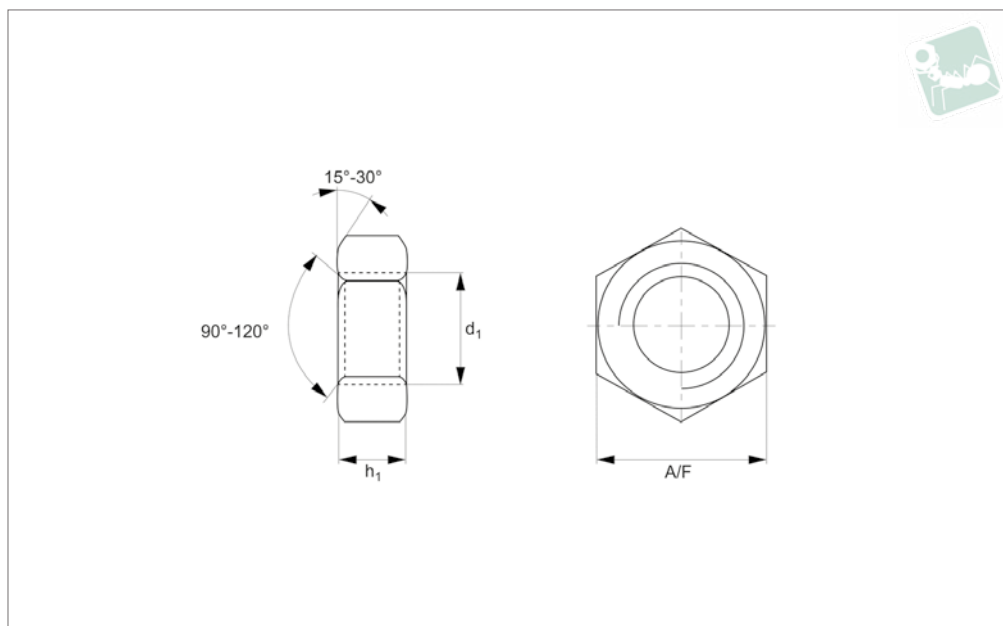




# Full Nuts Coarse Thread

Brass

Brass



**B0501.B0**

BRASS

**Material**

Brass.

threads.

For fine thread full nuts see P0302.

**Technical Notes**

To DIN 934. Standard metric coarse pitch

Order No.	d <sub>1</sub>	h <sub>1</sub> min.	A/F	Material
B0501.040B000	M 4	2.9	7	Brass
B0501.060B000	M 6	4.7	10	Brass
B0501.080B000	M 8	6.14	13	Brass
B0501.100B000	M10	7.64	17	Brass
B0501.200B000	M20	14.9	30	Brass
B0501.300B000	M30	22.7	46	Brass