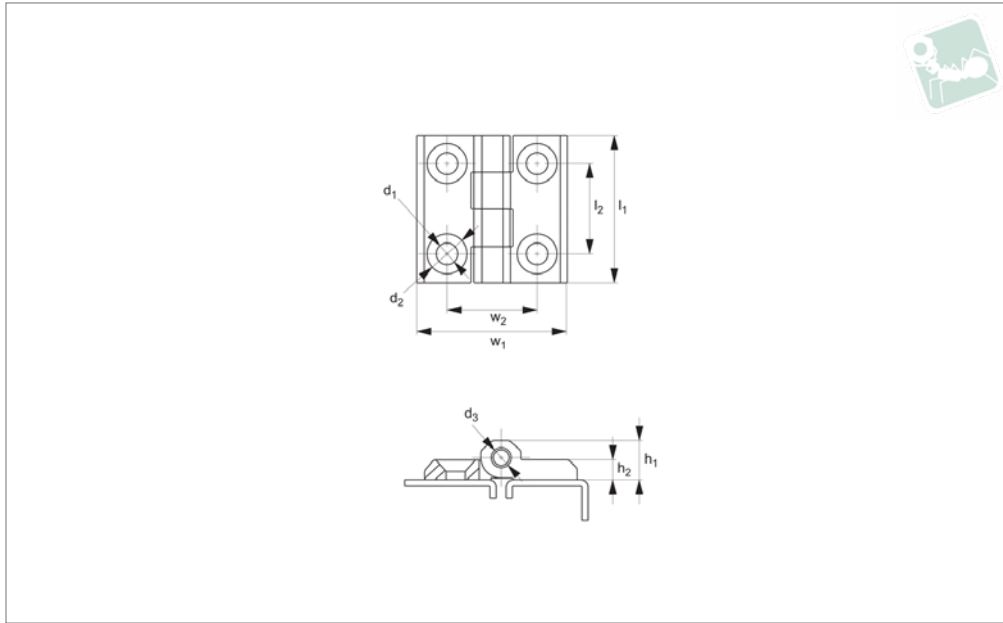




# Surface Mount - Leaf Hinges

screw mount - polyamide

## Stays & Hinges



**HH0012**

STAYS & HINGES

**Material**

Body: polyamide.  
Pin: steel, nickel plated.

**Technical Notes**

For plain/flush mounted doors, as well as electrical panels and covers. Opening

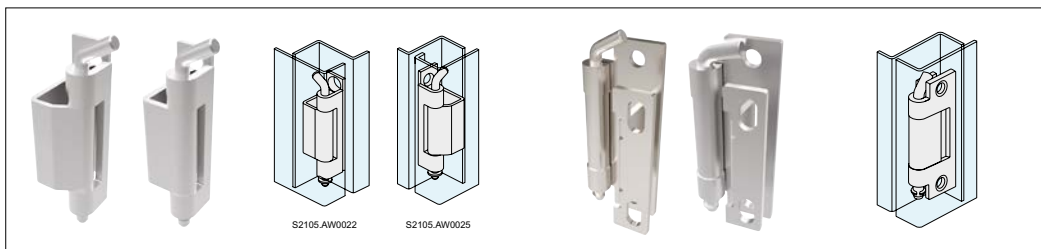
angle 180°.

Order No.	Size	$h_1$	$h_2$	$l_2$	$w_1$	$w_2$	$F_x$ kN	$F_y$ kN	$d_1$	$d_2$	$d_3$
HH0012.M0040	40 x 40	9.8	5	25	40	25	-	-	10.5	5.3	6
HH0012.M0050	50 x 50	11.5	5	30	50	30	1.2	1.3	12.5	6.3	6

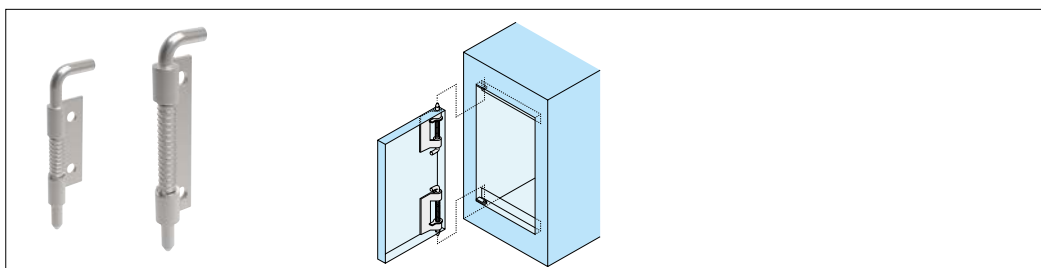


## Concealed hinges

For added security or a sleek enclosure design, concealed hinges offer the solution with mounting discreetly hidden away from view to avoid tampering.



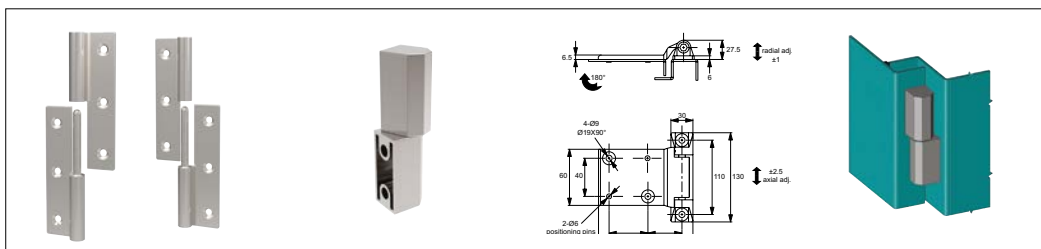
**Concealed pivot hinges**



**End mount concealed pivot hinges**

## Door removal hinges

Door removal or lift-off hinges simplify removal of covers and panels to ease access for maintenance and repair, available in a selection of materials.



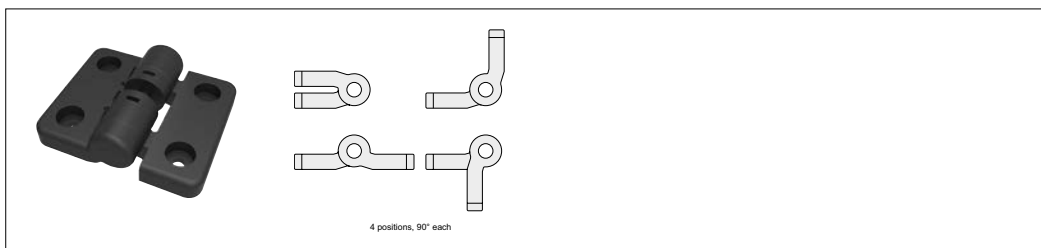
**Lift off hinges**

## Torque and positioning hinges

Torque and positioning hinges offer positive location of panels, screens and displays using constant friction for a firm hold.



**Constant torque hinges**



**Detent positioning hinges**



## Left or right type: Which do you need?

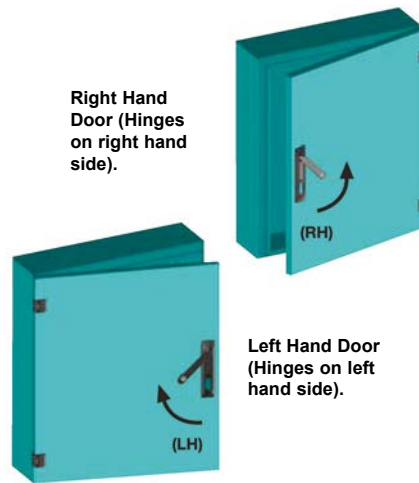
Wixroyd have a diverse range of hinges to suit most industrial applications in a wide range of materials and finishes.

Throughout our catalogue we refer to parts as being of a "Left" or "Right" type or hand. Which type you need, is most easily explained as follows;

Oriente your application so that when opened the door/panel comes towards you. With this orientation in mind, look to see on which side of the door/panel the hinges are mounted?

If the hinges are on the left side of the door/panel then you require "Left" type products. If the hinges are on the right side of the door/panel then you require "Right" type products.

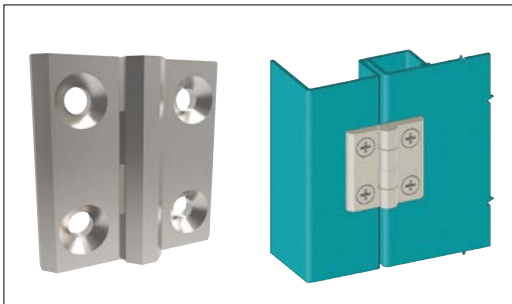
The illustration on the right clearly indicates the layout and orientation of the door where a "left" or "right" product is used.



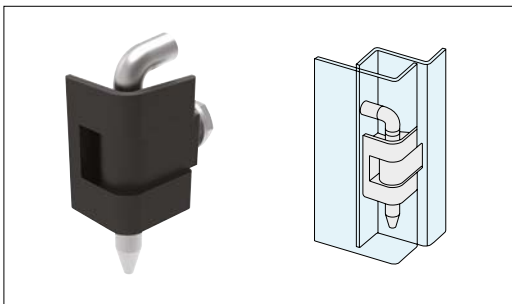
## Hinges

External or surface mount hinges have a wide range of application on electrical panels, sheet metal enclosures, generators and heating and venting applications.

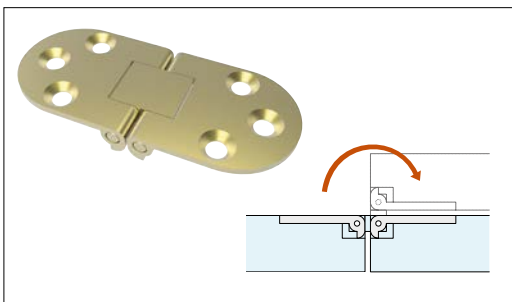
## External hinges



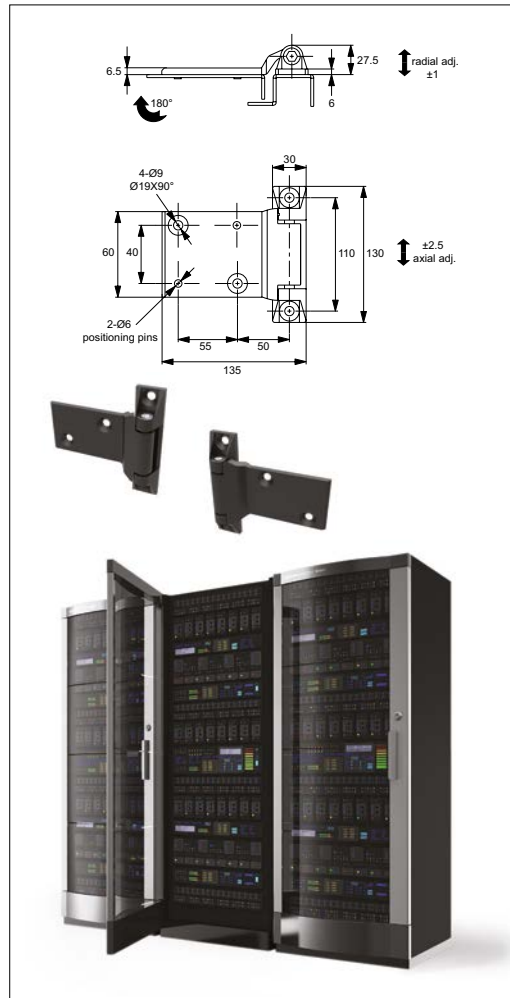
Surface mount hinges



Corner hinges



Flush mount hinges



Surface mount hinges