

LA1220

LANYARDS

Material

Bead chain: stainless steel AISI 304.
Terminals: brass.

Tips

For use in securing components to assemb-

lies, or to avoid items being misplaced. For a wide range of detent pins and quick release ball lock pins see parts 33010 through 33226. Terminals also available in AISI 304 stainless steel on request. Subject

to min. quantity.

Order No.	Trade size	d ₁	l ₁ nom.	d ₂	d ₃	Terminal material
LA1220.M080-01	10	4.5	80	4.7	6.35	Brass
LA1220.M100-01	10	4.5	100	4.7	6.35	Brass
LA1220.M150-01	10	4.5	150	4.7	6.35	Brass
LA1220.M200-01	10	4.5	200	4.7	6.35	Brass
LA1220.M300-01	10	4.5	300	4.7	6.35	Brass
LA1220.M450-01	10	4.5	450	4.7	6.35	Brass



Sound Rigging Systems

Ball lock pins on a sound rigging system. Offering secure fixing with high shear forces and easy fitting for operators at heights.

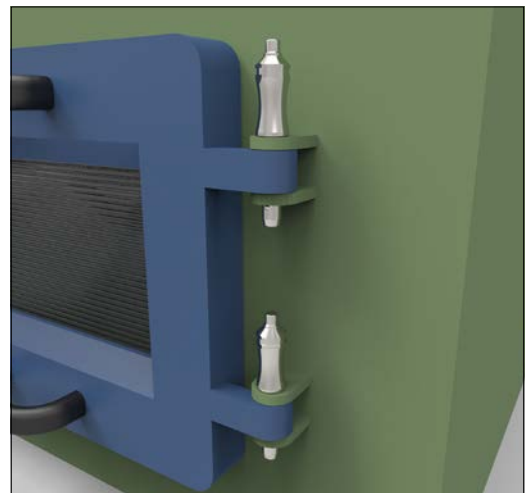
In addition full black powder coating of grip and actuation button eliminates glare from other stage lighting.



Gym Equipment



Scientific and Medical





Wixroyd Ball Lock Pins

features

33060 - 33250

Positioning Elements

Pin Material

1.4305 (AISI 303) - shear force approx. 60% of higher material version 1.4542

1.4542 (AISI 630) - identified by the ridge on the pin

CRES 17-4PH (AMS 5643) aviation standard



Handle Style



Plastic tri-star

T-handled, metal

L-handled, metal

Mushroom, metal

Single piece metal, contoured



Special plastic self-spring

Adjustable grip length, plastic

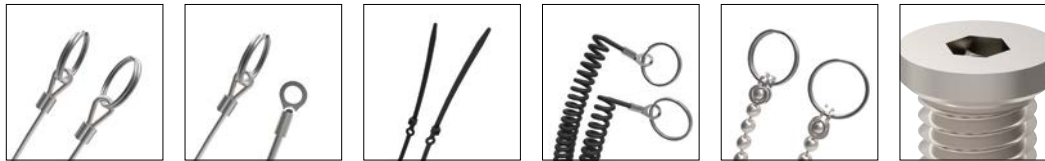
Key ring

Safety, metal

Mushroom Type B aviation

Type R aviation

Lanyards and Locating Bushes



Stainless wire - (coated) - 2 x key ring

Stainless wire - Key ring and fixing loop

Plastic - 2 x cable tie

Steel wire - (coated) - 2 x key ring

Stainless bead chain - 2 x key ring

Locating bushes

Actuation



Press = unlock
Release = lock (standard)

Press = unlock and position
Release = lock and simultaneous clamp

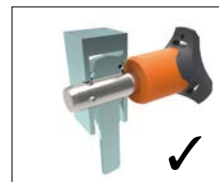
Simple spring loaded balls "pullout pin"

Important Note

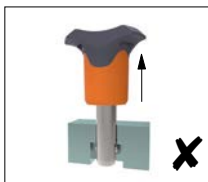
Important Note: Ball lock pins are not suited to lifting applications!
For quick release lifting pins, see part 33400.



Shear force



Lifting force



Special Variations

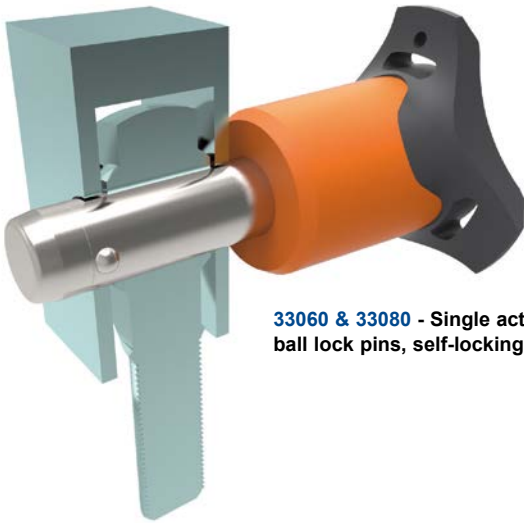


Variations on our standard designs are possible, please contact our sales team for technical assistance. Quick production on specials can be as little as 3 weeks.



Applications

- Positioning.
- Lifting.
- Locking.
- Indexing.
- Joining.



33060 & 33080 - Single acting ball lock pins, self-locking.



33194 - Single acting ball lock pins, self locking, simple finish.



33140 - Socket pins, non-locking, spring loaded balls.



33100 - Single acting ball lock pin, self locking.



33180 - Clamping pins, with span compensation, self-locking.



33250 & 33270 - Lanyards.



33220 - Ball lock pins, single acting - L-handle