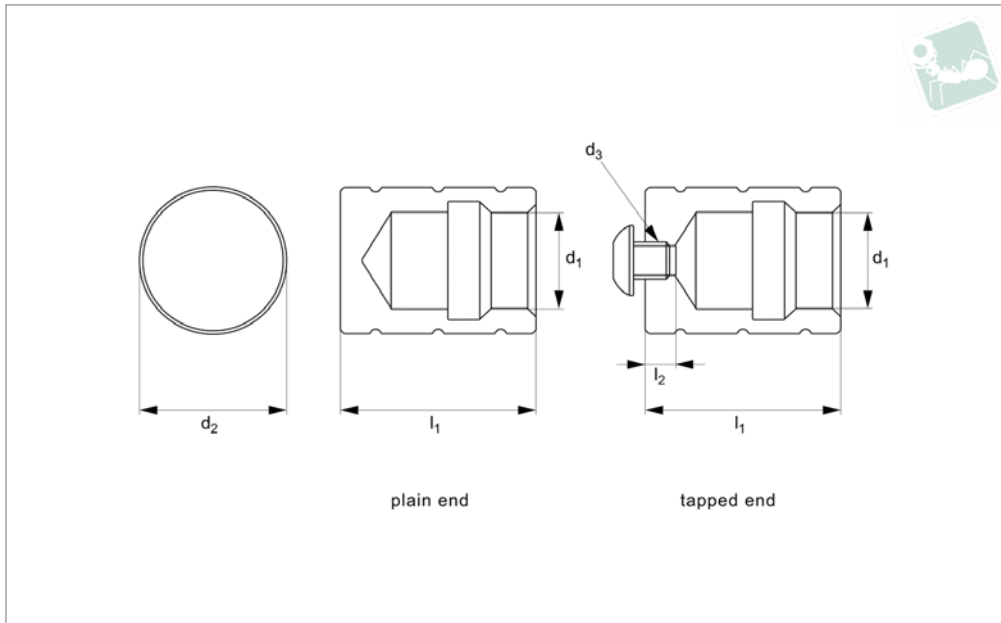




End Caps -Inch - for Quick Release

stainless steel

Lanyards



LA1355

LANYARDS

Material

Stainless steel, AISI 303

Technical Notes

Where the material receiving hole is out of tolerance or not round, end caps allow

quick release pins still to be used to take advantage of quick component/material change. End caps with tapped end allow fixing of cap to application with lanyard, see part nos. L to LA1224, end caps are

otherwise installed loose.

Important Notes

**When used, end cap reduces the usable grip length of quick release pin, refer to 'Grip length reduction' value in data table.

Order No.	End type	d_1 pin dia. nom.	Grip length reduction	d_2	d_3	l_1	l_2 max.
LA1355.I18-P	Plain	3/16	,125	,375	-	,580	-
LA1355.I25-P	Plain	1/4	,125	,375	-	,580	-
LA1355.I31-P	Plain	5/16	,125	,500	-	,625	-
LA1355.I37-P	Plain	3/8	,187	,563	-	,730	-
LA1355.I50-P	Plain	1/2	,250	,750	-	1000	-
LA1355.I62-P	Plain	5/8	,250	1000	-	1250	-
LA1355.I18-T	Tapped	3/16	,125	,375	10-32	,580	,12
LA1355.I25-T	Tapped	1/4	,125	,375	10-32	,580	,12
LA1355.I31-T	Tapped	5/16	,125	,500	10-32	,625	,12
LA1355.I37-T	Tapped	3/8	,187	,563	10-32	,730	,18
LA1355.I50-T	Tapped	1/2	,250	,750	10-32	1000	,18
LA1355.I62-T	Tapped	5/8	,250	1000	1/4-28	1250	,18

