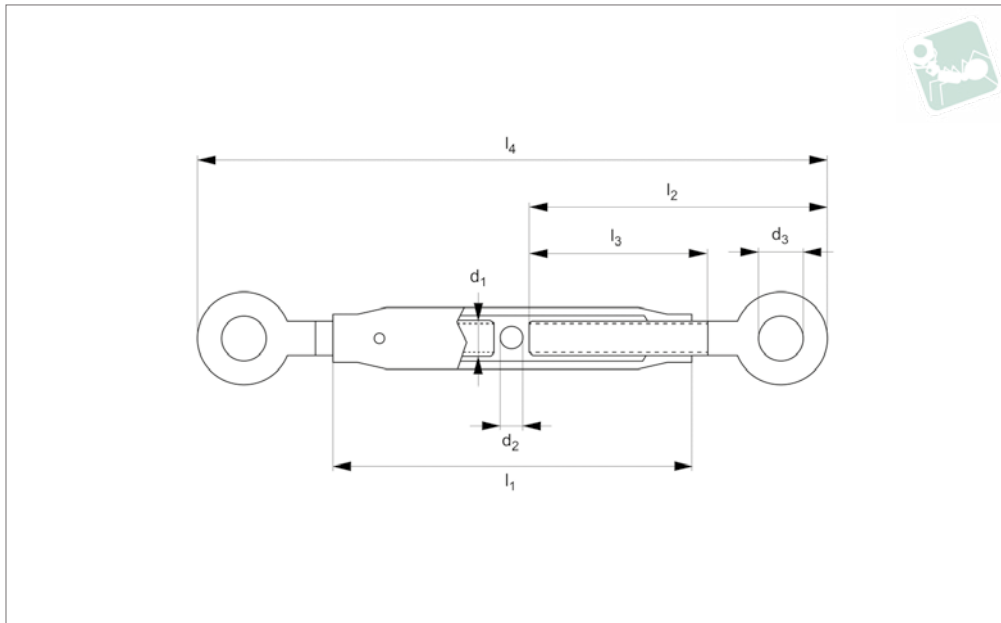




# Eye End Pipe Body Turnbuckles

steel

## Turnbuckles



**LP1308**

TURNBUCKLES

### Material

Steel (1.0037), zinc-plated.  
Hot dip galvanized, available on request providing increased protection against corrosion. Please add -FZ for hot dip galvanized, e.g. LP1304.006-FZ.

### Tips

Turnbuckles consist of a metal frame with right hand thread one end and left hand thread the other end. Used for tensioning by rotating turnbuckle body without twisting attached rope or cable.

**Only suitable for use in tension.**

### Technical Notes

To DIN 1478.

### Important Notes

**Turnbuckles are not to be used for lifting.**

Order No.	$d_1$	$l_1$	$d_2$	$d_3$	$l_2$	$l_3$	$l_4$ min.	$l_4$ max	Weight kg
LP1308.006	M 6	110	6	10	74	50	154	244	0.16
LP1308.008	M 8	110	8	11	80	52	168	253	0.18
LP1308.010	M10	125	8	15	95	59	199	294	0.28
LP1308.012	M12	125	10	17	107	66	225	315	0.42
LP1308.016	M16	170	10	22	146	85	302	422	0.91
LP1308.020	M20	200	12	24	170	100	352	492	1.36
LP1308.024	M24	255	12	33	213	134	437	619	2.60
LP1308.030	M30	255	16	39	255	150	527	687	3.75
LP1308.036	M36	295	16	37	260	150	537	717	6.35
LP1308.042	M42	330	20	48	285	165	590	790	10.50
LP1308.048	M48	355	20	58	335	185	691	901	15.50