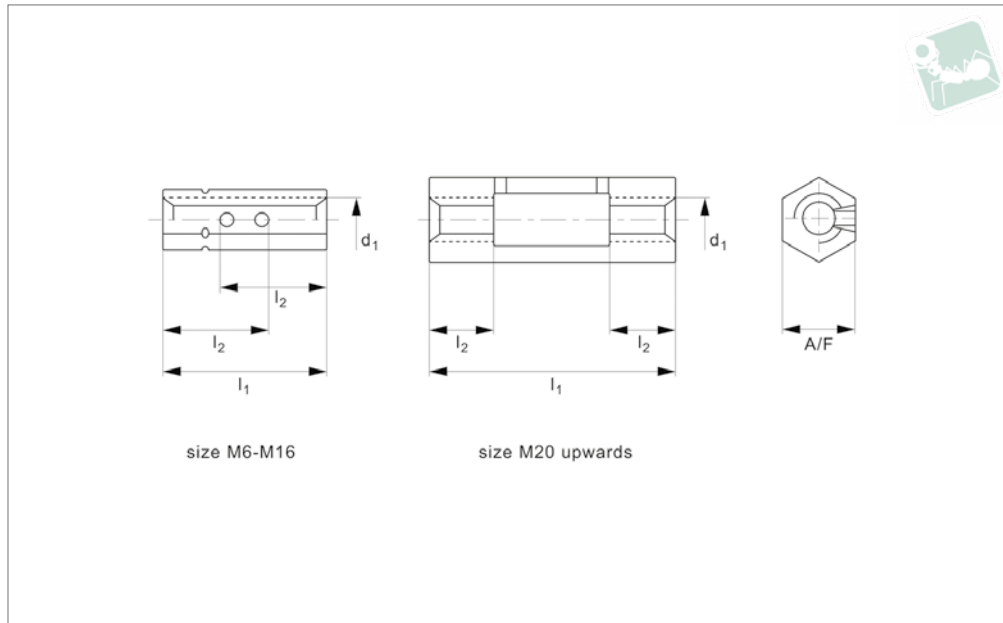




Hexagonal Body Turnbuckles

stainless steel

Turnbuckles



LP1326

TURNBUCKLES

Material

Stainless steel (A4).

Technical Notes

To DIN 1479.

Tips

Turnbuckles consist of a metal frame with right hand thread one end and left hand thread the other end. Used for tensioning

by rotating turnbuckle body without twisting attached rope or cable.

Important Notes

L2 dimension indicates the length of thread from each end that has been overcut.

This means you can screw from one end a total of length l2. Please note if screwing

in from both ends the length of thread is half l2.

Sizes M6-M16, have overlapping thread, from M20 middle part is relieved.

Turnbuckles are not to be used for lifting. Only suitable for use in tension.

Order No.	d ₁	l ₁	l ₂	A/F	Adjustment	Weight kg
LP1326.006	M 6	30	22.5	10	15	0.02
LP1326.008	M 8	35	25.0	13	15	0.03
LP1326.010	M10	45	33.0	16	21	0.06
LP1326.012	M12	55	40.0	18	25	0.09
LP1326.016	M16	75	55.0	24	35	0.18
LP1326.020	M20	95	24.0	30	47	0.32
LP1326.024	M24	115	29.0	36	57	0.53
LP1326.030	M30	125	36.0	46	53	1.08