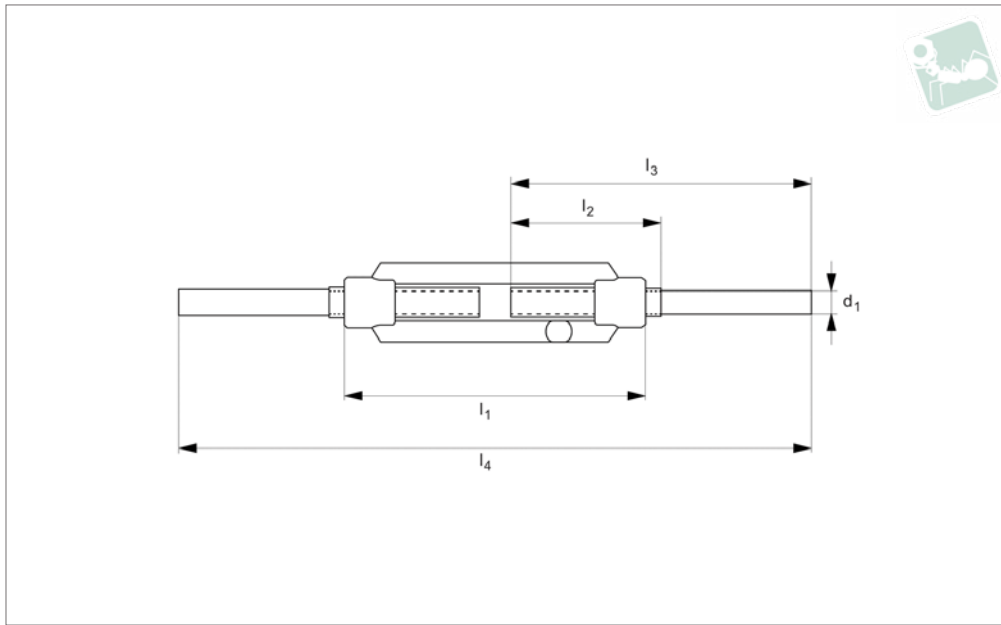


Stub End Turnbuckles

stainless steel

Turnbuckles



LP1336

TURNBUCKLES

Material

Stainless steel (A4).

Technical Notes

To DIN 1480 stub end.

Tips

Turnbuckles consist of a metal frame with

right hand thread one end and left hand thread the other end. Used for tensioning by rotating turnbuckle body without twisting attached rope or cable.

Only suitable for use in tension.

Important Notes

Turnbuckles are not to be used for lifting.

Order No.	d_1	l_1	l_2	l_3	l_4 min.	l_4 max.	Weight kg
LP1336.006	M 6	110	60	120	240	320	0.10
LP1336.008	M 8	110	65	120	240	315	0.16
LP1336.010	M10	125	75	150	301	386	0.30
LP1336.012	M12	125	75	150	301	381	0.40
LP1336.016	M16	170	100	200	400	510	0.96
LP1336.020	M20	200	120	220	440	570	1.74
LP1336.024	M24	255	150	260	521	691	2.74