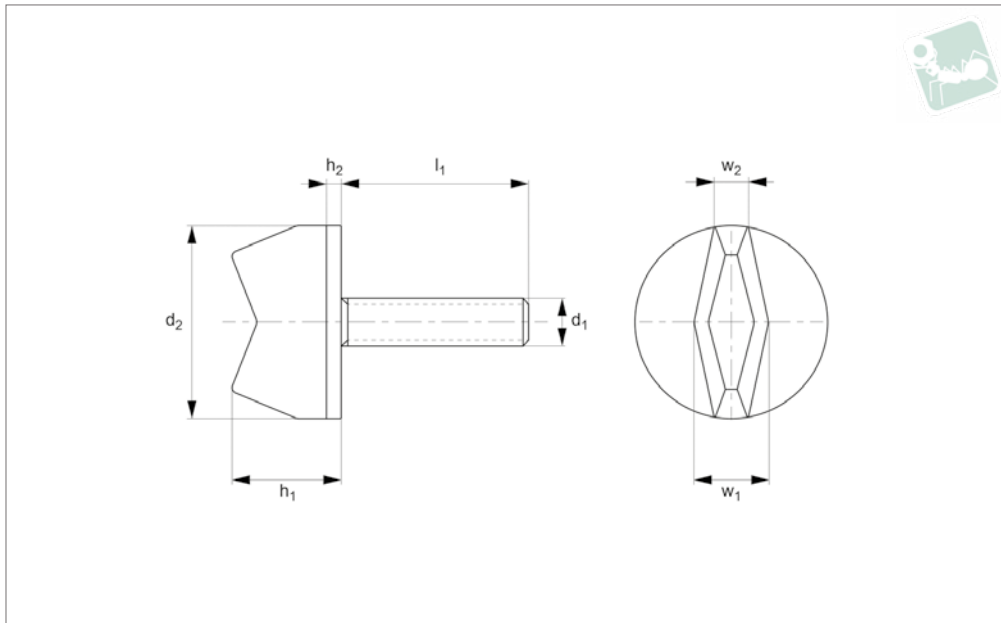




# Washers Faced Wing Screws with stud

Nylon

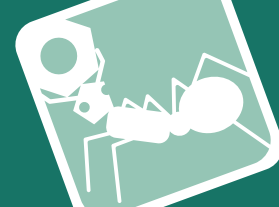


**N0198.54N**

## Material

Nylon PA-6/66 (Std - standard grade),  
natural.

Order No.	d <sub>1</sub>	d <sub>2</sub>	h <sub>1</sub>	h <sub>2</sub>	l	w <sub>1</sub>	w <sub>2</sub>	Material	Grade	Colour
54N.050.0060.0A	M 5	21	12.4	1.7	6	8.4	3.2	PA-6/66	Std.	Natural
54N.050.0080.0A	M 5	21	12.4	1.7	8	8.4	3.2	PA-6/66	Std.	Natural
54N.050.0100.0A	M 5	21	12.4	1.7	10	8.4	3.2	PA-6/66	Std.	Natural
54N.050.0120.0A	M 5	21	12.4	1.7	12	8.4	3.2	PA-6/66	Std.	Natural
54N.050.0150.0A	M 5	21	12.4	1.7	15	8.4	3.2	PA-6/66	Std.	Natural
54N.050.0160.0A	M 5	21	12.4	1.7	16	8.4	3.2	PA-6/66	Std.	Natural
54N.050.0170.0A	M 5	21	12.4	1.7	17	8.4	3.2	PA-6/66	Std.	Natural
54N.050.0200.0A	M 5	21	12.4	1.7	20	8.4	3.2	PA-6/66	Std.	Natural
54N.050.0250.0A	M 5	21	12.4	1.7	25	8.4	3.2	PA-6/66	Std.	Natural
54N.050.0300.0A	M 5	21	12.4	1.7	30	8.4	3.2	PA-6/66	Std.	Natural
54N.050.0350.0A	M 5	21	12.4	1.7	35	8.4	3.2	PA-6/66	Std.	Natural
54N.050.0400.0A	M 5	21	12.4	1.7	40	8.4	3.2	PA-6/66	Std.	Natural
54N.050.0450.0A	M 5	21	12.4	1.7	45	8.4	3.2	PA-6/66	Std.	Natural
54N.050.0500.0A	M 5	21	12.4	1.7	50	8.4	3.2	PA-6/66	Std.	Natural
54N.050.0550.0A	M 5	21	12.4	1.7	55	8.4	3.2	PA-6/66	Std.	Natural
54N.050.0600.0A	M 5	21	12.4	1.7	60	8.4	3.2	PA-6/66	Std.	Natural
54N.050.0700.0A	M 5	21	12.4	1.7	70	8.4	3.2	PA-6/66	Std.	Natural
54N.060.0060.0A	M 6	21	12.4	1.7	6	8.4	3.2	PA-6/66	Std.	Natural
54N.060.0080.0A	M 6	21	12.4	1.7	8	8.4	3.2	PA-6/66	Std.	Natural
54N.060.0100.0A	M 6	21	12.4	1.7	10	8.4	3.2	PA-6/66	Std.	Natural
54N.060.0120.0A	M 6	21	12.4	1.7	12	8.4	3.2	PA-6/66	Std.	Natural
54N.060.0150.0A	M 6	21	12.4	1.7	15	8.4	3.2	PA-6/66	Std.	Natural
54N.060.0160.0A	M 6	21	12.4	1.7	16	8.4	3.2	PA-6/66	Std.	Natural
54N.060.0170.0A	M 6	21	12.4	1.7	17	8.4	3.2	PA-6/66	Std.	Natural
54N.060.0200.0A	M 6	21	12.4	1.7	20	8.4	3.2	PA-6/66	Std.	Natural
54N.060.0250.0A	M 6	21	12.4	1.7	25	8.4	3.2	PA-6/66	Std.	Natural
54N.060.0300.0A	M 6	21	12.4	1.7	30	8.4	3.2	PA-6/66	Std.	Natural
54N.060.0350.0A	M 6	21	12.4	1.7	35	8.4	3.2	PA-6/66	Std.	Natural
54N.060.0400.0A	M 6	21	12.4	1.7	40	8.4	3.2	PA-6/66	Std.	Natural
54N.060.0450.0A	M 6	21	12.4	1.7	45	8.4	3.2	PA-6/66	Std.	Natural
54N.060.0500.0A	M 6	21	12.4	1.7	50	8.4	3.2	PA-6/66	Std.	Natural
54N.060.0600.0A	M 6	21	12.4	1.7	60	8.4	3.2	PA-6/66	Std.	Natural
54N.060.0700.0A	M 6	21	12.4	1.7	70	8.4	3.2	PA-6/66	Std.	Natural
54N.060.0750.0A	M 6	21	12.4	1.7	75	8.4	3.2	PA-6/66	Std.	Natural
54N.060.0800.0A	M 6	21	12.4	1.7	80	8.4	3.2	PA-6/66	Std.	Natural



Order No.	d <sub>1</sub>	d <sub>2</sub>	h <sub>1</sub>	h <sub>2</sub>	l	w <sub>1</sub>	w <sub>2</sub>	Material	Grade	Colour
54N.060.0850.0A	M 6	21	12.4	1.7	85	8.4	3.2	PA-6/66	Std.	Natural
54N.060.0900.0A	M 6	21	12.4	1.7	90	8.4	3.2	PA-6/66	Std.	Natural
54N.060.0950.0A	M 6	21	12.4	1.7	95	8.4	3.2	PA-6/66	Std.	Natural
54N.060.1000.0A	M 6	21	12.4	1.7	100	8.4	3.2	PA-6/66	Std.	Natural
54N.060.1100.0A	M 6	21	12.4	1.7	110	8.4	3.2	PA-6/66	Std.	Natural
54N.060.1200.0A	M 6	21	12.4	1.7	120	8.4	3.2	PA-6/66	Std.	Natural
54N.060.1300.0A	M 6	21	12.4	1.7	130	8.4	3.2	PA-6/66	Std.	Natural
54N.080.0060.0A	M 8	21	12.4	1.7	6	8.4	3.2	PA-6/66	Std.	Natural
54N.080.0080.0A	M 8	21	12.4	1.7	8	8.4	3.2	PA-6/66	Std.	Natural
54N.080.0100.0A	M 8	21	12.4	1.7	10	8.4	3.2	PA-6/66	Std.	Natural
54N.080.0120.0A	M 8	21	12.4	1.7	12	8.4	3.2	PA-6/66	Std.	Natural
54N.080.0150.0A	M 8	21	12.4	1.7	15	8.4	3.2	PA-6/66	Std.	Natural
54N.080.0160.0A	M 8	21	12.4	1.7	16	8.4	3.2	PA-6/66	Std.	Natural
54N.080.0170.0A	M 8	21	12.4	1.7	17	8.4	3.2	PA-6/66	Std.	Natural
54N.080.0200.0A	M 8	21	12.4	1.7	20	8.4	3.2	PA-6/66	Std.	Natural
54N.080.0250.0A	M 8	21	12.4	1.7	25	8.4	3.2	PA-6/66	Std.	Natural
54N.080.0300.0A	M 8	21	12.4	1.7	30	8.4	3.2	PA-6/66	Std.	Natural
54N.080.0350.0A	M 8	21	12.4	1.7	35	8.4	3.2	PA-6/66	Std.	Natural
54N.080.0400.0A	M 8	21	12.4	1.7	40	8.4	3.2	PA-6/66	Std.	Natural
54N.080.0450.0A	M 8	21	12.4	1.7	45	8.4	3.2	PA-6/66	Std.	Natural
54N.080.0500.0A	M 8	21	12.4	1.7	50	8.4	3.2	PA-6/66	Std.	Natural
54N.080.0600.0A	M 8	21	12.4	1.7	60	8.4	3.2	PA-6/66	Std.	Natural
54N.080.0700.0A	M 8	21	12.4	1.7	70	8.4	3.2	PA-6/66	Std.	Natural
54N.080.0750.0A	M 8	21	12.4	1.7	75	8.4	3.2	PA-6/66	Std.	Natural
54N.080.0800.0A	M 8	21	12.4	1.7	80	8.4	3.2	PA-6/66	Std.	Natural
54N.080.0850.0A	M 8	21	12.4	1.7	85	8.4	3.2	PA-6/66	Std.	Natural
54N.080.0900.0A	M 8	21	12.4	1.7	90	8.4	3.2	PA-6/66	Std.	Natural
54N.080.0950.0A	M 8	21	12.4	1.7	95	8.4	3.2	PA-6/66	Std.	Natural
54N.080.1000.0A	M 8	21	12.4	1.7	100	8.4	3.2	PA-6/66	Std.	Natural
54N.080.1100.0A	M 8	21	12.4	1.7	110	8.4	3.2	PA-6/66	Std.	Natural
54N.080.1200.0A	M 8	21	12.4	1.7	120	8.4	3.2	PA-6/66	Std.	Natural
54N.080.1300.0A	M 8	21	12.4	1.7	130	8.4	3.2	PA-6/66	Std.	Natural
54N.100.0060.0A	M10	21	12.4	1.7	6	8.4	3.2	PA-6/66	Std.	Natural
54N.100.0080.0A	M10	21	12.4	1.7	8	8.4	3.2	PA-6/66	Std.	Natural
54N.100.0100.0A	M10	21	12.4	1.7	10	8.4	3.2	PA-6/66	Std.	Natural
54N.100.0120.0A	M10	21	12.4	1.7	12	8.4	3.2	PA-6/66	Std.	Natural
54N.100.0150.0A	M10	21	12.4	1.7	15	8.4	3.2	PA-6/66	Std.	Natural
54N.100.0160.0A	M10	21	12.4	1.7	16	8.4	3.2	PA-6/66	Std.	Natural
54N.100.0170.0A	M10	21	12.4	1.7	17	8.4	3.2	PA-6/66	Std.	Natural
54N.100.0200.0A	M10	21	12.4	1.7	20	8.4	3.2	PA-6/66	Std.	Natural
54N.100.0250.0A	M10	21	12.4	1.7	25	8.4	3.2	PA-6/66	Std.	Natural
54N.100.0300.0A	M10	21	12.4	1.7	30	8.4	3.2	PA-6/66	Std.	Natural
54N.100.0350.0A	M10	21	12.4	1.7	35	8.4	3.2	PA-6/66	Std.	Natural
54N.100.0400.0A	M10	21	12.4	1.7	40	8.4	3.2	PA-6/66	Std.	Natural
54N.100.0450.0A	M10	21	12.4	1.7	45	8.4	3.2	PA-6/66	Std.	Natural
54N.100.0500.0A	M10	21	12.4	1.7	50	8.4	3.2	PA-6/66	Std.	Natural
54N.100.0600.0A	M10	21	12.4	1.7	60	8.4	3.2	PA-6/66	Std.	Natural
54N.100.0700.0A	M10	21	12.4	1.7	70	8.4	3.2	PA-6/66	Std.	Natural
54N.100.0750.0A	M10	21	12.4	1.7	75	8.4	3.2	PA-6/66	Std.	Natural
54N.100.0800.0A	M10	21	12.4	1.7	80	8.4	3.2	PA-6/66	Std.	Natural
54N.100.0850.0A	M10	21	12.4	1.7	85	8.4	3.2	PA-6/66	Std.	Natural
54N.100.0900.0A	M10	21	12.4	1.7	90	8.4	3.2	PA-6/66	Std.	Natural
54N.100.0950.0A	M10	21	12.4	1.7	95	8.4	3.2	PA-6/66	Std.	Natural
54N.100.1000.0A	M10	21	12.4	1.7	100	8.4	3.2	PA-6/66	Std.	Natural
54N.100.1100.0A	M10	21	12.4	1.7	110	8.4	3.2	PA-6/66	Std.	Natural
54N.100.1200.0A	M10	21	12.4	1.7	120	8.4	3.2	PA-6/66	Std.	Natural
54N.100.1300.0A	M10	21	12.4	1.7	130	8.4	3.2	PA-6/66	Std.	Natural
54N.120.0100.0A	M12	21	12.4	1.7	10	8.4	3.2	PA-6/66	Std.	Natural
54N.120.0120.0A	M12	21	12.4	1.7	12	8.4	3.2	PA-6/66	Std.	Natural
54N.120.0160.0A	M12	21	12.4	1.7	16	8.4	3.2	PA-6/66	Std.	Natural
54N.120.0200.0A	M12	21	12.4	1.7	20	8.4	3.2	PA-6/66	Std.	Natural
54N.120.0250.0A	M12	21	12.4	1.7	25	8.4	3.2	PA-6/66	Std.	Natural
54N.120.0300.0A	M12	21	12.4	1.7	30	8.4	3.2	PA-6/66	Std.	Natural
54N.120.0350.0A	M12	21	12.4	1.7	35	8.4	3.2	PA-6/66	Std.	Natural
54N.120.0400.0A	M12	21	12.4	1.7	40	8.4	3.2	PA-6/66	Std.	Natural
54N.120.0450.0A	M12	21	12.4	1.7	45	8.4	3.2	PA-6/66	Std.	Natural
54N.120.0500.0A	M12	21	12.4	1.7	50	8.4	3.2	PA-6/66	Std.	Natural
54N.120.0600.0A	M12	21	12.4	1.7	60	8.4	3.2	PA-6/66	Std.	Natural
54N.120.0700.0A	M12	21	12.4	1.7	70	8.4	3.2	PA-6/66	Std.	Natural



# Washers Faced Wing Screws with stud

Nylon

Order No.	d <sub>1</sub>	d <sub>2</sub>	h <sub>1</sub>	h <sub>2</sub>	l	w <sub>1</sub>	w <sub>2</sub>	Material	Grade	Colour
54N.120.0750.0A	M12	21	12.4	1.7	75	8.4	3.2	PA-6/66	Std.	Natural
54N.120.0800.0A	M12	21	12.4	1.7	80	8.4	3.2	PA-6/66	Std.	Natural
54N.120.0850.0A	M12	21	12.4	1.7	85	8.4	3.2	PA-6/66	Std.	Natural
54N.120.0900.0A	M12	21	12.4	1.7	90	8.4	3.2	PA-6/66	Std.	Natural
54N.120.0950.0A	M12	21	12.4	1.7	95	8.4	3.2	PA-6/66	Std.	Natural
54N.120.1000.0A	M12	21	12.4	1.7	100	8.4	3.2	PA-6/66	Std.	Natural
54N.120.1100.0A	M12	21	12.4	1.7	110	8.4	3.2	PA-6/66	Std.	Natural
54N.120.1200.0A	M12	21	12.4	1.7	120	8.4	3.2	PA-6/66	Std.	Natural
54N.120.1300.0A	M12	21	12.4	1.7	130	8.4	3.2	PA-6/66	Std.	Natural

NYLON