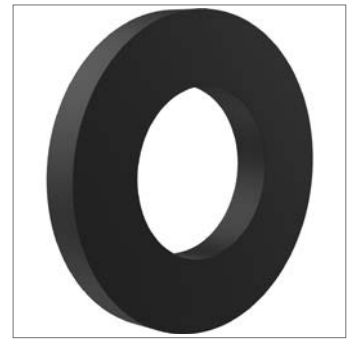
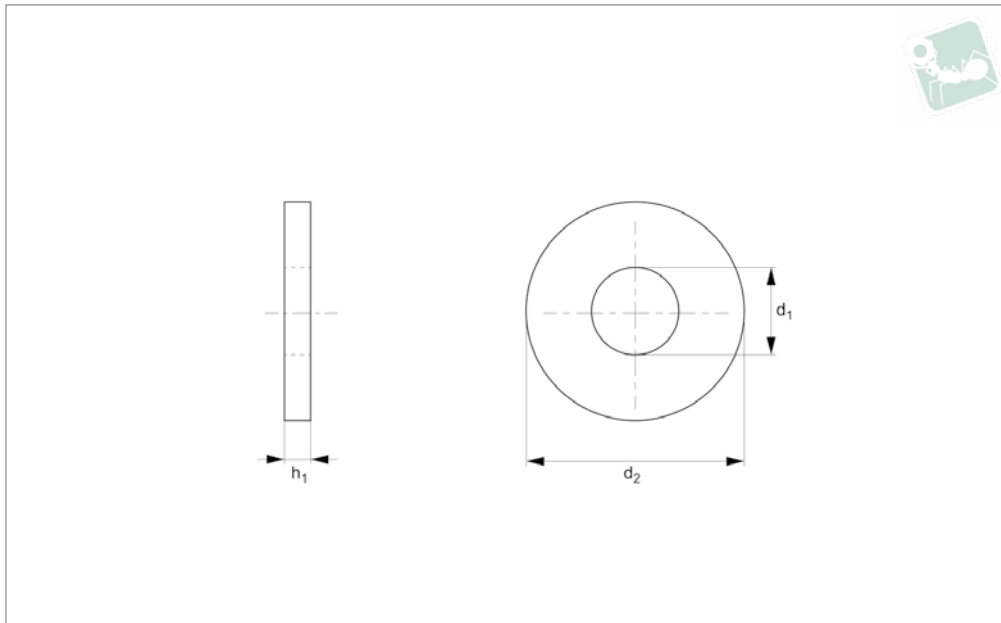




Nylon Flat Washers Black

DIN 125 A

Nylon



N0403.12N.2

NYLON

Material

Nylon 66 (PA 6/66), black.

Technical Notes

DIN standards were created for metal parts, the dimensions of our plastic DIN equivalents are close to the norm but do

not follow the strict tolerances typically relevant to metal parts.

Many nylon parts are available in dyed black, this subject to a minimum value and process charge, please contact us for further details.

Dyed black parts are not long term UV stable for UV protective. Nylon parts offer good electrical insulation, is resistant to corrosion and most dilute acids.

Nylon protects work surfaces and absorbs shocks and vibrations.

| Order No. | For thread | d ₁ | d ₂ | h |
|----------------|------------|----------------|----------------|-----|
| 12N.016.0040.B | M1,6 | 1.7 | 4.0 | 0.3 |
| 12N.017.0045.B | M1,7 | 1.8 | 4.5 | 0.3 |
| 12N.020.0050.B | M 2 | 2.2 | 5.0 | 0.3 |
| 12N.023.0060.B | M2,3 | 2.5 | 6.0 | 0.5 |
| 12N.025.0060.B | M2,5 | 2.7 | 6.0 | 0.5 |
| 12N.030.0070.B | M 3 | 3.2 | 7.0 | 0.5 |
| 12N.035.0080.B | M3,5 | 3.7 | 8.0 | 0.8 |
| 12N.040.0090.B | M 4 | 4.3 | 9.0 | 0.8 |
| 12N.050.0100.B | M 5 | 5.3 | 10.0 | 1.0 |
| 12N.060.0120.B | M 6 | 6.4 | 12.0 | 1.6 |
| 12N.070.0140.B | M 7 | 7.4 | 14.0 | 1.6 |
| 12N.080.0160.B | M 8 | 8.4 | 16.0 | 1.6 |
| 12N.100.0200.B | M10 | 10.5 | 20.0 | 2.0 |
| 12N.120.0240.B | M12 | 13.0 | 24.0 | 2.5 |
| 12N.140.0280.B | M14 | 15.0 | 28.0 | 2.5 |
| 12N.160.0300.B | M16 | 17.0 | 30.0 | 3.0 |
| 12N.180.0340.B | M18 | 19.0 | 34.0 | 3.0 |
| 12N.200.0370.B | M20 | 21.0 | 37.0 | 3.0 |
| 12N.220.0390.B | M22 | 23.0 | 39.0 | 3.0 |
| 12N.240.0440.B | M24 | 25.0 | 44.0 | 4.0 |
| 12N.260.0500.B | M26 | 27.0 | 50.0 | 4.0 |
| 12N.270.0500.B | M27 | 28.0 | 50.0 | 4.0 |
| 12N.280.0500.B | M28 | 29.0 | 50.0 | 4.0 |
| 12N.300.0560.B | M30 | 31.0 | 56.0 | 4.0 |
| 12N.330.0600.B | M33 | 34.0 | 60.0 | 5.0 |
| 12N.360.0660.B | M36 | 37.0 | 66.0 | 5.0 |
| 12N.390.0720.B | M39 | 40.0 | 72.0 | 6.0 |