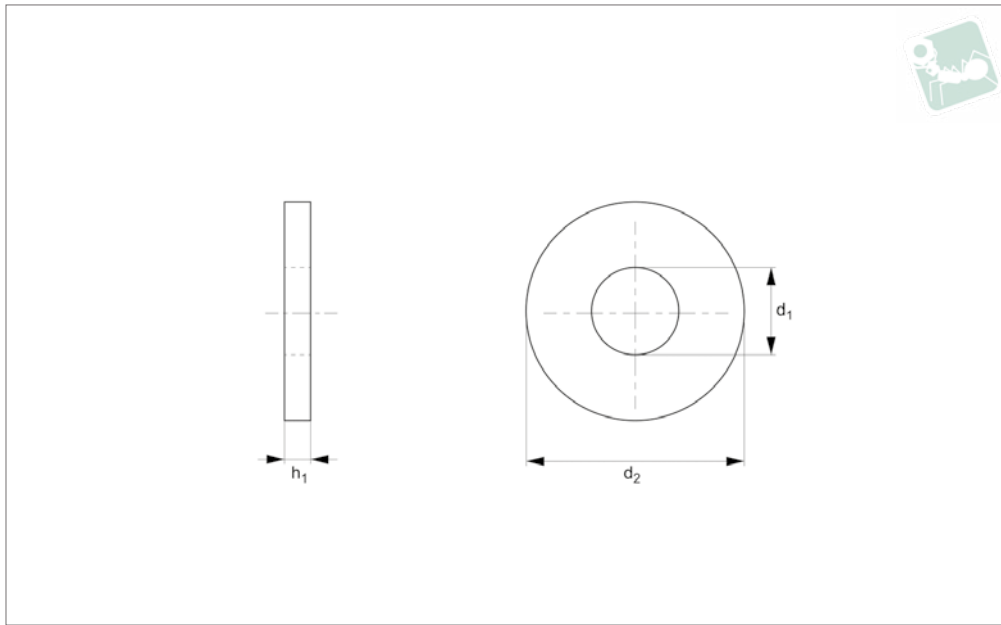




Flat Washers, Transparent

DIN 125 A

Nylon



N0408.13N

NYLON

Material

Polycarbonate, PC.

the dimensions of our plastic DIN equivalents are close to the norm but do not follow the strict tolerances typically relevant to metal parts.

Polycarbonate parts offer good resistant to shocks.

Technical Notes

DIN norms were created for metal parts,

Order No.	For thread	d ₁	d ₂	h	Material	Grade	Finish	To standard
13N.040.0090.5AD	M 4	4.3	9.0	0.8	PC	Std.	Natural	DIN 125
13N.050.0100.5AD	M 5	5.3	10.0	1.0	PC	Std.	Natural	DIN 125
13N.060.0120.5AD	M 6	6.4	12.0	1.6	PC	Std.	Natural	DIN 125
13N.080.0160.5AD	M 8	8.4	16.0	1.6	PC	Std.	Natural	DIN 125
13N.100.0200.5AD	M10	10.5	20.0	2.0	PC	Std.	Natural	DIN 125
13N.120.0240.5AD	M12	13.0	24.0	2.5	PC	Std.	Natural	DIN 125
13N.140.0280.5AD	M14	15.0	28.0	2.5	PC	Std.	Natural	DIN 125
13N.160.0300.5AD	M16	17.0	30.0	3.0	PC	Std.	Natural	DIN 125
13N.200.0370.5AD	M20	21.0	37.0	3.0	PC	Std.	Natural	DIN 125