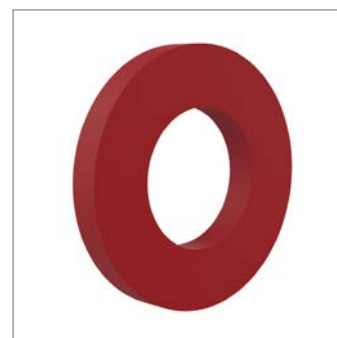
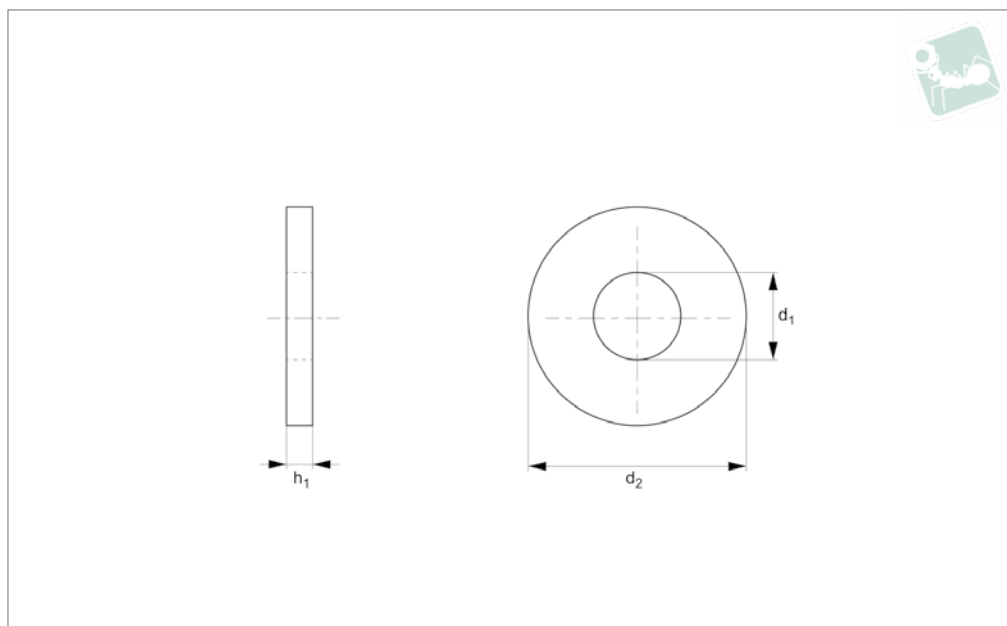




# Flat Washers, Fibre

DIN 125 A

## Other Plastics



### N0409.09N

OTHER PLASTICS

**Material**  
Fibre.

the dimensions of our plastic DIN equivalents are close to the norm but do not follow the strict tolerances typically relevant to metal parts.

**Technical Notes**

DIN norms were created for metal parts,

Order No.	For thread	d <sub>1</sub>	d <sub>2</sub>	h	Material	Grade	Finish	To standard
09N.030.0070.8AD	M 3	3.2	7.0	0.5	Fibre	Std.	Red	DIN 125
09N.040.0090.8AD	M 4	4.3	9.0	0.8	Fibre	Std.	Red	DIN 125
09N.050.0100.8AD	M 5	5.3	10.0	1.0	Fibre	Std.	Red	DIN 125
09N.060.0120.8AD	M 6	6.4	12.0	1.6	Fibre	Std.	Red	DIN 125
09N.080.0160.8AD	M 8	8.4	16.0	1.6	Fibre	Std.	Red	DIN 125
09N.100.0200.8AD	M10	10.5	20.0	2.0	Fibre	Std.	Red	DIN 125
09N.120.0240.8AD	M12	13.0	24.0	2.5	Fibre	Std.	Red	DIN 125
09N.160.0300.8AD	M16	17.0	30.0	3.0	Fibre	Std.	Red	DIN 125
09N.200.0370.8AD	M20	21.0	37.0	3.0	Fibre	Std.	Red	DIN 125