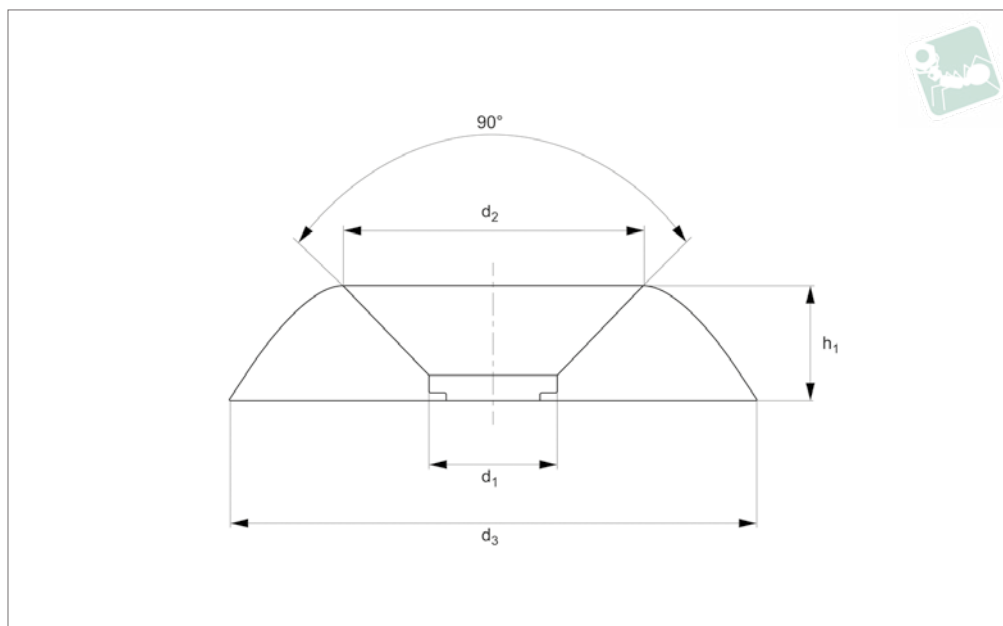




Finishing Washer

for countersunk screw

Nylon



N0442.42N

NYLON

Material

Nylon 66 (PA 6/66), standard. White or black.

Technical Notes

Many Nylon parts are available in dyed

black, this subject to a minimum value and process charge, please contact us for further details.

Dyed black colour is not long term UV stable. Nylon parts offer good electrical

insulation, is resistant to corrosion and most dilute acids.

Nylon protects work surfaces and absorbs shocks and vibrations.

Order No.	For screw	d_1	d_2	d_3	h	Material	Grade	Finish
42N.030.0032.0A	M 3	3.2	7	14	2.9	Nylon 6/66	Std.	White
42N.040.0043.0A	M 4	4.3	9	16	3.7	Nylon 6/66	Std.	White
42N.050.0052.0A	M 5	5.2	11	18	3.8	Nylon 6/66	Std.	White
42N.060.0064.0A	M 6	6.4	13	22	4.5	Nylon 6/66	Std.	White
42N.030.0032.0B	M 3	3.2	7	14	2.9	Nylon 6/66	Std.	Black
42N.040.0043.0B	M 4	4.3	9	16	3.7	Nylon 6/66	Std.	Black
42N.050.0052.0B	M 5	5.2	11	18	3.8	Nylon 6/66	Std.	Black
42N.060.0064.0B	M 6	6.4	13	22	4.5	Nylon 6/66	Std.	Black