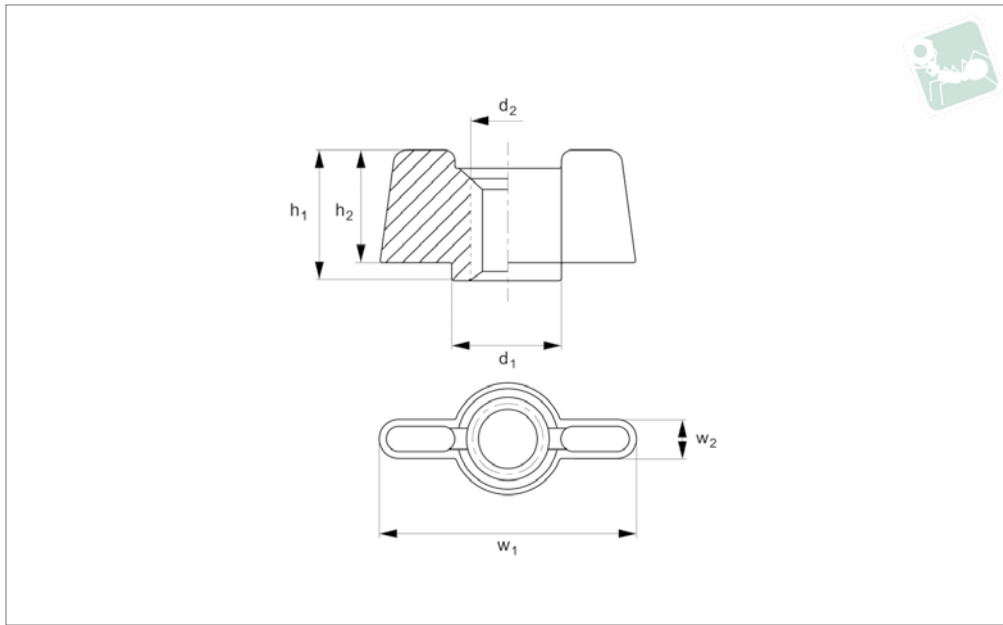




Wing Nuts Form „B“ with rectangular wings, DIN 315 AF

Nylon



N0512

NYLON

Material
white Nylon.

properties. Resists temperature from -30°C to +100°C.

Technical Notes

Light and rustproof. Good mechanical

Order No.	d ₁	d ₂	h ₁	h ₂	w ₁	w ₂	Material	Grade	Colour
N0512.040.0W	M 4	10.5	13.5	11.8	25.0	4.0	Nylon	Std	white
N0512.050.0W	M 5	10.5	13.5	11.8	25.0	4.0	Nylon	Std	white
N0512.060.0W	M 6	10.5	13.5	11.8	25.0	4.0	Nylon	Std	white