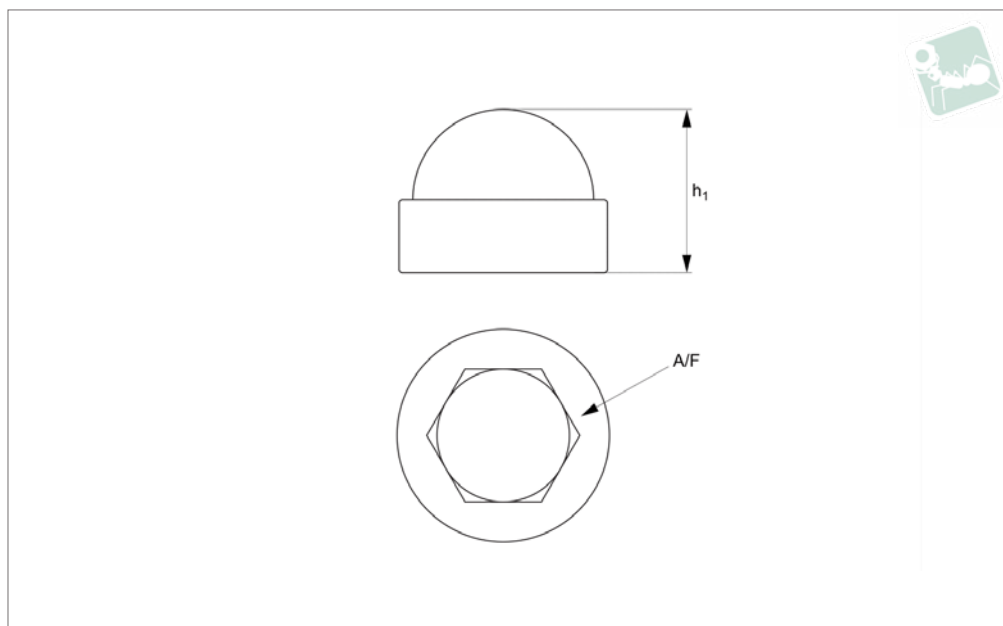




Plastic Nut Covers

for hex head bolts

Nylon



N0540

NYLON

Material

Polyethylene (PE); black, white or grey (M 4 to M20). M22 to M45 black only.

Technical Notes

Nut covers protect hex headed bolts (DIN

931 + DIN 933) from corrosion and general wear and tear. Polyethylene (PE) resists acids, greases and oils. Note: due to variation in mould, surface of part may be either smooth or dull.

Order No.	Bolts	Colour	A/F	h ₁
N0540.040.070.B	M 4	Black	7	8.8
N0540.050.080.B	M 5	Black	8	11.0
N0540.060.100.B	M 6	Black	10	12.8
N0540.080.130.B	M 8	Black	13	15.8
N0540.100.170.B	M10	Black	17	20.0
N0540.120.190.B	M12	Black	19	21.0
N0540.140.220.B	M14	Black	22	23.8
N0540.160.240.B	M16	Black	24	26.5
N0540.180.270.B	M18	Black	27	30.5
N0540.200.300.B	M20	Black	30	31.5
N0540.220.320.B	M22	Black	32	36.0
N0540.240.360.B	M24	Black	36	39.0
N0540.270.420.B	M27	Black	42	44.0
N0540.300.460.B	M30	Black	46	47.5
N0540.360.550.B	M36	Black	55	56.0
N0540.390.600.B	M39	Black	60	59.0
N0540.420.650.B	M42	Black	65	62.0
N0540.450.700.B	M45	Black	70	69.0
N0540.040.070.A	M 4	White	7	8.8
N0540.050.080.A	M 5	White	8	11.0
N0540.060.100.A	M 6	White	10	12.8
N0540.080.130.A	M 8	White	13	15.8
N0540.100.170.A	M10	White	17	20.0
N0540.120.190.A	M12	White	19	21.0
N0540.140.220.A	M14	White	22	23.8
N0540.160.240.A	M16	White	24	26.5
N0540.180.270.A	M18	White	27	30.5
N0540.200.300.A	M20	White	30	31.5
N0540.040.070.G	M 4	Grey	7	8.8
N0540.050.080.G	M 5	Grey	8	11.0
N0540.060.100.G	M 6	Grey	10	12.8
N0540.080.130.G	M 8	Grey	13	15.8
N0540.100.170.G	M10	Grey	17	20.0



Order No.	Bolts	Colour	A/F	h ₁
N0540.120.190.G	M12	Grey	19	21.0
N0540.140.220.G	M14	Grey	22	23.8
N0540.160.240.G	M16	Grey	24	26.5
N0540.180.270.G	M18	Grey	27	30.5
N0540.200.300.G	M20	Grey	30	31.5