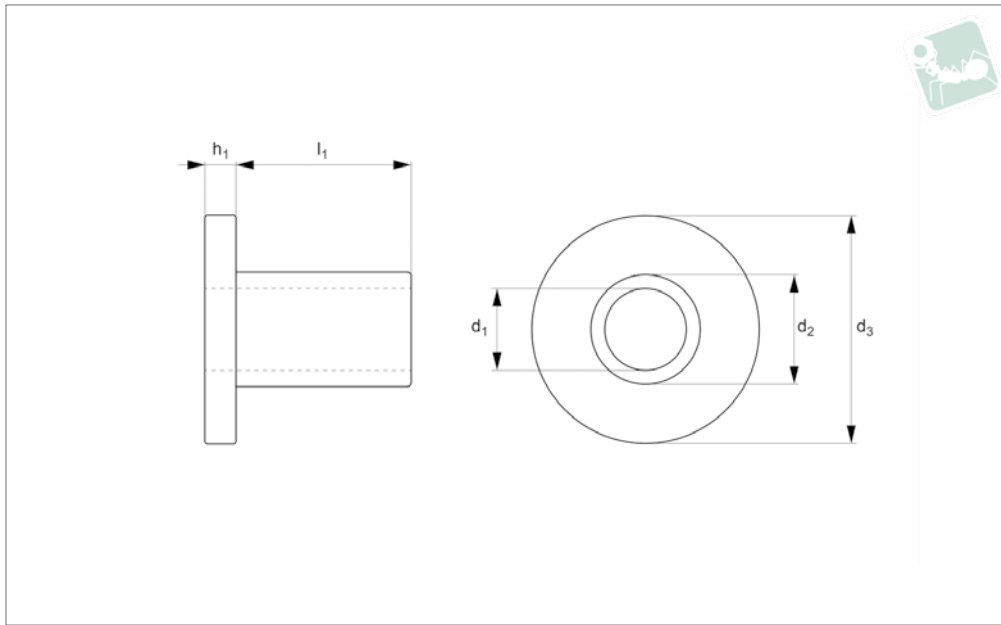




Shoulder Washer i/d 14,0 - 20,0

Nylon



N6060.60N.4

NYLON

Material

Nylon 66 (PA 6/66), standard.). Natural or black.

Technical Notes

*"For thread" recommendation based on

„fine/close fit“ tolerance for metric fastener and clearance hole. For normal and loose fit tolerances please make your own calculations. Nylon parts offer good electrical insulation, are resistant to corro-

sion and most dilute acids. Nylon protects work surfaces and absorbs shocks and vibrations. Other sizes available.

Order No.	d ₁	For thread inch	d ₂	d ₃	h	l	Material	Grade	Colour
60N.141200.200A	14.1	M12	20.0	26.0	2.5	17.8	PA 6/66	Std.	Natural
60N.141216.100A	14.1	M12	21.6	27.0	2.0	10.0	PA 6/66	Std.	Natural
60N.160190.050A1	16.0	M14	19.0	34.5	4.0	5.0	PA 6/66	Std.	Natural
60N.160190.060A1	16.0	M14	19.0	34.5	4.0	6.0	PA 6/66	Std.	Natural
60N.160190.070A1	16.0	M14	19.0	34.5	4.0	7.0	PA 6/66	Std.	Natural
60N.160190.080A1	16.0	M14	19.0	34.5	4.0	8.0	PA 6/66	Std.	Natural
60N.160190.090A1	16.0	M14	19.0	34.5	4.0	9.0	PA 6/66	Std.	Natural
60N.160190.100A1	16.0	M14	19.0	34.5	4.0	10.0	PA 6/66	Std.	Natural
60N.160190.110A1	16.0	M14	19.0	34.5	4.0	11.0	PA 6/66	Std.	Natural
60N.160190.120A1	16.0	M14	19.0	34.5	4.0	12.0	PA 6/66	Std.	Natural
60N.160190.130A1	16.0	M14	19.0	34.5	4.0	13.0	PA 6/66	Std.	Natural
60N.160190.140A1	16.0	M14	19.0	34.5	4.0	14.0	PA 6/66	Std.	Natural
60N.160190.150A1	16.0	M14	19.0	34.5	4.0	15.0	PA 6/66	Std.	Natural
60N.160190.160A1	16.0	M14	19.0	34.5	4.0	16.0	PA 6/66	Std.	Natural
60N.160190.170A1	16.0	M14	19.0	34.5	4.0	17.0	PA 6/66	Std.	Natural
60N.160190.180A1	16.0	M14	19.0	34.5	4.0	18.0	PA 6/66	Std.	Natural
60N.160190.190A1	16.0	M14	19.0	34.5	4.0	19.0	PA 6/66	Std.	Natural
60N.160190.200A1	16.0	M14	19.0	34.5	4.0	20.0	PA 6/66	Std.	Natural
60N.160190.210A1	16.0	M14	19.0	34.5	4.0	21.0	PA 6/66	Std.	Natural
60N.160190.220A1	16.0	M14	19.0	34.5	4.0	22.0	PA 6/66	Std.	Natural
60N.160190.230A1	16.0	M14	19.0	34.5	4.0	23.0	PA 6/66	Std.	Natural
60N.160190.240A1	16.0	M14	19.0	34.5	4.0	24.0	PA 6/66	Std.	Natural
60N.160190.250A1	16.0	M14	19.0	34.5	4.0	25.0	PA 6/66	Std.	Natural
60N.160190.260A1	16.0	M14	19.0	34.5	4.0	26.0	PA 6/66	Std.	Natural
60N.160190.270A1	16.0	M14	19.0	34.5	4.0	27.0	PA 6/66	Std.	Natural
60N.160190.280A1	16.0	M14	19.0	34.5	4.0	28.0	PA 6/66	Std.	Natural
60N.160190.290A1	16.0	M14	19.0	34.5	4.0	29.0	PA 6/66	Std.	Natural
60N.160190.300A1	16.0	M14	19.0	34.5	4.0	30.0	PA 6/66	Std.	Natural
60N.160190.310A1	16.0	M14	19.0	34.5	4.0	31.0	PA 6/66	Std.	Natural
60N.160190.320A1	16.0	M14	19.0	34.5	4.0	32.0	PA 6/66	Std.	Natural
60N.160190.330A1	16.0	M14	19.0	34.5	4.0	33.0	PA 6/66	Std.	Natural
60N.160190.340A1	16.0	M14	19.0	34.5	4.0	34.0	PA 6/66	Std.	Natural



Order No.	d ₁	For thread inch	d ₂	d ₃	h	l	Material	Grade	Colour
60N.160190.350A1	16.0	M14	19.0	34.5	4.0	35.0	PA 6/66	Std.	Natural
60N.160190.360A1	16.0	M14	19.0	34.5	4.0	36.0	PA 6/66	Std.	Natural
60N.160190.370A1	16.0	M14	19.0	34.5	4.0	37.0	PA 6/66	Std.	Natural
60N.160190.380A1	16.0	M14	19.0	34.5	4.0	38.0	PA 6/66	Std.	Natural
60N.160190.390A1	16.0	M14	19.0	34.5	4.0	39.0	PA 6/66	Std.	Natural
60N.160190.400A1	16.0	M14	19.0	34.5	4.0	40.0	PA 6/66	Std.	Natural
60N.160190.410A1	16.0	M14	19.0	34.5	4.0	41.0	PA 6/66	Std.	Natural
60N.160190.420A1	16.0	M14	19.0	34.5	4.0	42.0	PA 6/66	Std.	Natural
60N.160190.430A1	16.0	M14	19.0	34.5	4.0	43.0	PA 6/66	Std.	Natural
60N.160190.440A1	16.0	M14	19.0	34.5	4.0	44.0	PA 6/66	Std.	Natural
60N.160190.450A1	16.0	M14	19.0	34.5	4.0	45.0	PA 6/66	Std.	Natural
60N.160190.460A1	16.0	M14	19.0	34.5	4.0	46.0	PA 6/66	Std.	Natural
60N.160190.470A1	16.0	M14	19.0	34.5	4.0	47.0	PA 6/66	Std.	Natural
60N.160190.480A1	16.0	M14	19.0	34.5	4.0	48.0	PA 6/66	Std.	Natural
60N.160190.490A1	16.0	M14	19.0	34.5	4.0	49.0	PA 6/66	Std.	Natural
60N.160190.500A1	16.0	M14	19.0	34.5	4.0	50.0	PA 6/66	Std.	Natural
60N.160190.050A2	16.0	M14	19.0	34.5	3.0	5.0	PA 6/66	Std.	Natural
60N.160190.060A2	16.0	M14	19.0	34.5	3.0	6.0	PA 6/66	Std.	Natural
60N.160190.070A2	16.0	M14	19.0	34.5	3.0	7.0	PA 6/66	Std.	Natural
60N.160190.080A2	16.0	M14	19.0	34.5	3.0	8.0	PA 6/66	Std.	Natural
60N.160190.090A2	16.0	M14	19.0	34.5	3.0	9.0	PA 6/66	Std.	Natural
60N.160190.100A2	16.0	M14	19.0	34.5	3.0	10.0	PA 6/66	Std.	Natural
60N.160190.110A2	16.0	M14	19.0	34.5	3.0	11.0	PA 6/66	Std.	Natural
60N.160190.120A2	16.0	M14	19.0	34.5	3.0	12.0	PA 6/66	Std.	Natural
60N.160190.130A2	16.0	M14	19.0	34.5	3.0	13.0	PA 6/66	Std.	Natural
60N.160190.140A2	16.0	M14	19.0	34.5	3.0	14.0	PA 6/66	Std.	Natural
60N.160190.150A2	16.0	M14	19.0	34.5	3.0	15.0	PA 6/66	Std.	Natural
60N.160190.160A2	16.0	M14	19.0	34.5	3.0	16.0	PA 6/66	Std.	Natural
60N.160190.170A2	16.0	M14	19.0	34.5	3.0	17.0	PA 6/66	Std.	Natural
60N.160190.180A2	16.0	M14	19.0	34.5	3.0	18.0	PA 6/66	Std.	Natural
60N.160190.190A2	16.0	M14	19.0	34.5	3.0	19.0	PA 6/66	Std.	Natural
60N.160190.200A2	16.0	M14	19.0	34.5	3.0	20.0	PA 6/66	Std.	Natural
60N.160190.210A2	16.0	M14	19.0	34.5	3.0	21.0	PA 6/66	Std.	Natural
60N.160190.220A2	16.0	M14	19.0	34.5	3.0	22.0	PA 6/66	Std.	Natural
60N.160190.230A2	16.0	M14	19.0	34.5	3.0	23.0	PA 6/66	Std.	Natural
60N.160190.240A2	16.0	M14	19.0	34.5	3.0	24.0	PA 6/66	Std.	Natural
60N.160190.250A2	16.0	M14	19.0	34.5	3.0	25.0	PA 6/66	Std.	Natural
60N.160190.260A2	16.0	M14	19.0	34.5	3.0	26.0	PA 6/66	Std.	Natural
60N.160190.270A2	16.0	M14	19.0	34.5	3.0	27.0	PA 6/66	Std.	Natural
60N.160190.280A2	16.0	M14	19.0	34.5	3.0	28.0	PA 6/66	Std.	Natural
60N.160190.290A2	16.0	M14	19.0	34.5	3.0	29.0	PA 6/66	Std.	Natural
60N.160190.300A2	16.0	M14	19.0	34.5	3.0	30.0	PA 6/66	Std.	Natural
60N.160190.310A2	16.0	M14	19.0	34.5	3.0	31.0	PA 6/66	Std.	Natural
60N.160190.320A2	16.0	M14	19.0	34.5	3.0	32.0	PA 6/66	Std.	Natural
60N.160190.330A2	16.0	M14	19.0	34.5	3.0	33.0	PA 6/66	Std.	Natural
60N.160190.340A2	16.0	M14	19.0	34.5	3.0	34.0	PA 6/66	Std.	Natural
60N.160190.350A2	16.0	M14	19.0	34.5	3.0	35.0	PA 6/66	Std.	Natural
60N.160190.360A2	16.0	M14	19.0	34.5	3.0	36.0	PA 6/66	Std.	Natural
60N.160190.370A2	16.0	M14	19.0	34.5	3.0	37.0	PA 6/66	Std.	Natural
60N.160190.380A2	16.0	M14	19.0	34.5	3.0	38.0	PA 6/66	Std.	Natural
60N.160190.390A2	16.0	M14	19.0	34.5	3.0	39.0	PA 6/66	Std.	Natural
60N.160190.400A2	16.0	M14	19.0	34.5	3.0	40.0	PA 6/66	Std.	Natural
60N.160190.410A2	16.0	M14	19.0	34.5	3.0	41.0	PA 6/66	Std.	Natural
60N.160190.420A2	16.0	M14	19.0	34.5	3.0	42.0	PA 6/66	Std.	Natural
60N.160190.430A2	16.0	M14	19.0	34.5	3.0	43.0	PA 6/66	Std.	Natural
60N.160190.440A2	16.0	M14	19.0	34.5	3.0	44.0	PA 6/66	Std.	Natural
60N.160190.450A2	16.0	M14	19.0	34.5	3.0	45.0	PA 6/66	Std.	Natural
60N.160190.460A2	16.0	M14	19.0	34.5	3.0	46.0	PA 6/66	Std.	Natural
60N.160190.470A2	16.0	M14	19.0	34.5	3.0	47.0	PA 6/66	Std.	Natural
60N.160190.480A2	16.0	M14	19.0	34.5	3.0	48.0	PA 6/66	Std.	Natural
60N.160190.490A2	16.0	M14	19.0	34.5	3.0	49.0	PA 6/66	Std.	Natural
60N.160190.500A2	16.0	M14	19.0	34.5	3.0	50.0	PA 6/66	Std.	Natural
60N.161218.200A	16.1	M14	21.8	28.2	3.2	20.0	PA 6/66	Std.	Natural
60N.160215.050A1	16.0	M14	21.5	27.0	3.0	5.0	PA 6/66	Std.	Natural
60N.160215.060A1	16.0	M14	21.5	27.0	3.0	6.0	PA 6/66	Std.	Natural
60N.160215.070A1	16.0	M14	21.5	27.0	3.0	7.0	PA 6/66	Std.	Natural
60N.160215.080A1	16.0	M14	21.5	27.0	3.0	8.0	PA 6/66	Std.	Natural
60N.160215.090A1	16.0	M14	21.5	27.0	3.0	9.0	PA 6/66	Std.	Natural



Order No.	d ₁	For thread inch	d ₂	d ₃	h	l	Material	Grade	Colour
60N.160215.320A2	16.0	M14	21.5	27.1	4.0	32.0	PA 6/66	Std.	Natural
60N.160215.330A2	16.0	M14	21.5	27.1	4.0	33.0	PA 6/66	Std.	Natural
60N.160215.340A2	16.0	M14	21.5	27.1	4.0	34.0	PA 6/66	Std.	Natural
60N.160215.350A2	16.0	M14	21.5	27.1	4.0	35.0	PA 6/66	Std.	Natural
60N.160215.360A2	16.0	M14	21.5	27.1	4.0	36.0	PA 6/66	Std.	Natural
60N.160215.370A2	16.0	M14	21.5	27.1	4.0	37.0	PA 6/66	Std.	Natural
60N.160215.380A2	16.0	M14	21.5	27.1	4.0	38.0	PA 6/66	Std.	Natural
60N.160215.390A2	16.0	M14	21.5	27.1	4.0	39.0	PA 6/66	Std.	Natural
60N.160215.400A2	16.0	M14	21.5	27.1	4.0	40.0	PA 6/66	Std.	Natural
60N.160215.410A2	16.0	M14	21.5	27.1	4.0	41.0	PA 6/66	Std.	Natural
60N.160215.420A2	16.0	M14	21.5	27.1	4.0	42.0	PA 6/66	Std.	Natural
60N.160215.430A2	16.0	M14	21.5	27.1	4.0	43.0	PA 6/66	Std.	Natural
60N.160215.440A2	16.0	M14	21.5	27.1	4.0	44.0	PA 6/66	Std.	Natural
60N.160215.450A2	16.0	M14	21.5	27.1	4.0	45.0	PA 6/66	Std.	Natural
60N.160215.460A2	16.0	M14	21.5	27.1	4.0	46.0	PA 6/66	Std.	Natural
60N.160215.470A2	16.0	M14	21.5	27.1	4.0	47.0	PA 6/66	Std.	Natural
60N.160215.480A2	16.0	M14	21.5	27.1	4.0	48.0	PA 6/66	Std.	Natural
60N.160215.490A2	16.0	M14	21.5	27.1	4.0	49.0	PA 6/66	Std.	Natural
60N.160215.500A2	16.0	M14	21.5	27.1	4.0	50.0	PA 6/66	Std.	Natural
60N.163183.250A	16.3	M14	18.3	29.5	3.0	25.0	PA 6/66	Std.	Natural
60N.165195.210A	16.5	M14	19.5	36.0	3.0	21.0	PA 6/66	Std.	Natural
60N.205222.250A	20.5	M18	22.2	35.3	3.0	25.0	PA 6/66	Std.	Natural