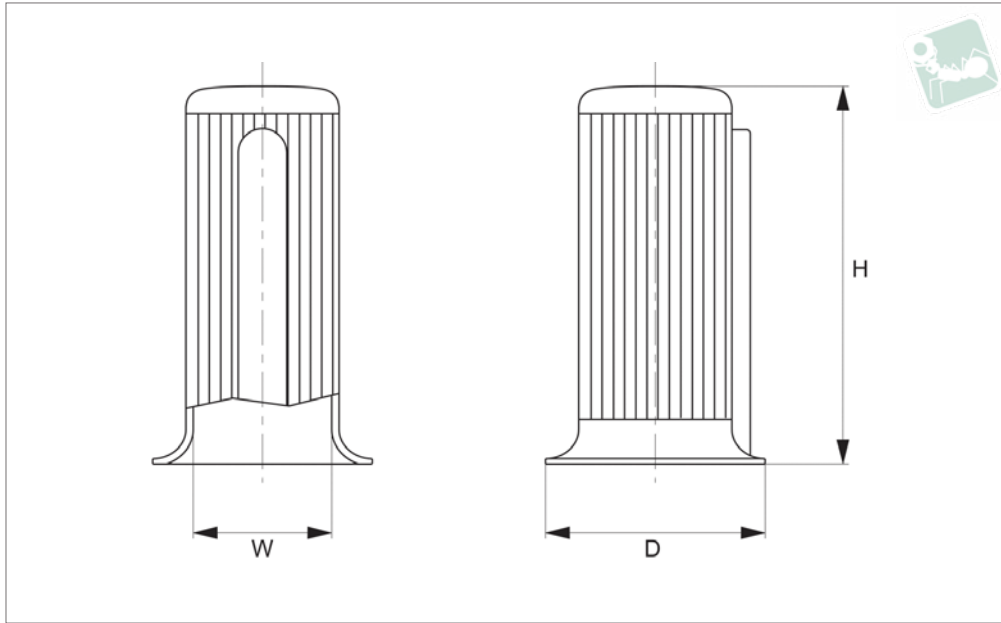




# Drive Shaft Protection Caps

push-fit

## Other Plastics



**08212.N3**

OTHER PLASTICS

### Material

Low density polyethylene, yellow.

### Important Notes

Sold subject to minimum pack quantity.

### Technical Notes

For protection of drive shafts to DIN 748.