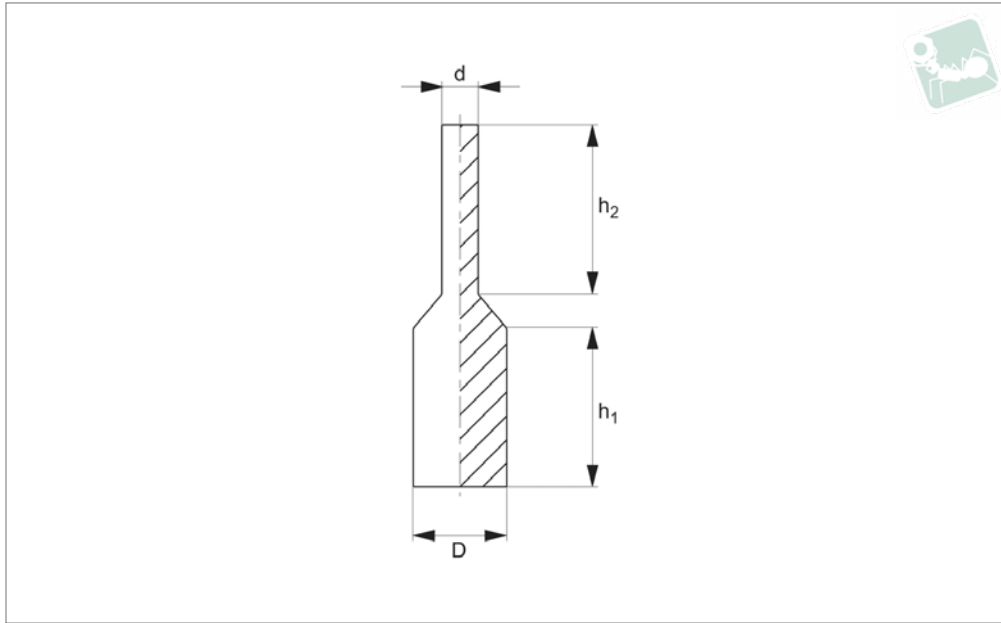




High Temperature Pull Plugs silicone

Other Plastics



08256.N7

OTHER PLASTICS

Material

Silicone, natural.
Temperature resistant to +300°C.

out tab improves ease of removal after finishing process.

Important Notes

Sold subject to minimum pack quantity.

Technical Notes

For masking plain or threaded holes. Pull

Order No.	d ₁	d ₂	h ₁	h ₂
08256.AC0102	1.7	1.2	15.9	15.5
08256.AC0106	2.4	1.3	17.8	17.8
08256.AC0114	3.2	1.6	15.9	15.9
08256.AC0122	4.0	1.6	15.9	19.1
08256.AC0124	5.0	2.8	25.4	25.4
08256.AC0130	6.5	3.3	25.4	25.4
08256.AC0132	8.5	3.9	25.4	25.4
08256.AC0138	10.2	4.0	25.4	25.4
08256.AC0140	12.0	6.2	25.4	25.4
08256.AC0142	13.5	6.4	25.4	25.4
08256.AC0146	15.5	6.4	25.4	25.4