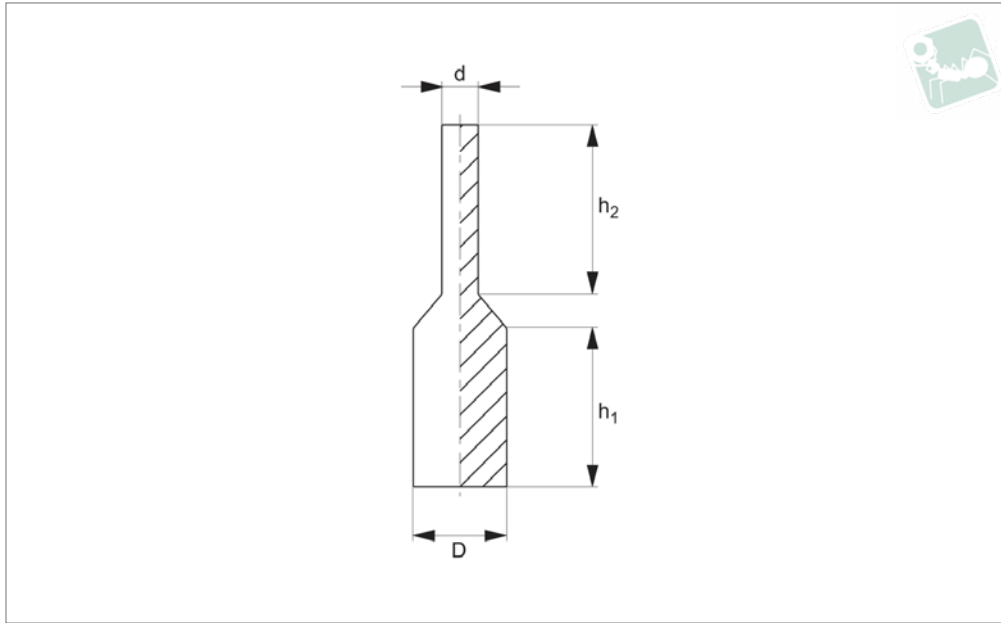




High Temperature Pull Plugs EPDM

Other Plastics



08265.N6

OTHER PLASTICS

Material

EPDM, black.

Temperature resistant to +180°C.

out tab improves ease of removal after finishing process.

Important Notes

Sold subject to minimum pack quantity.

Technical Notes

For masking plain or threaded holes. Pull

Order No.	d ₁	d ₂	h ₁	h ₂
08265.AC0200	1.7	1.2	15.9	15.5
08265.AC0202	2.4	1.3	17.8	17.8
08265.AC0204	3.2	1.6	15.9	15.9
08265.AC0206	4.0	1.6	15.9	19.1
08265.AC0208	5.0	2.8	25.4	25.4
08265.AC0210	6.5	3.3	25.4	25.4
08265.AC0212	8.5	3.9	25.4	25.4
08265.AC0214	10.2	4.0	25.4	25.4
08265.AC0216	12.0	6.2	25.4	25.4
08265.AC0218	13.5	6.4	25.4	25.4
08265.AC0220	15.5	6.4	25.4	25.4