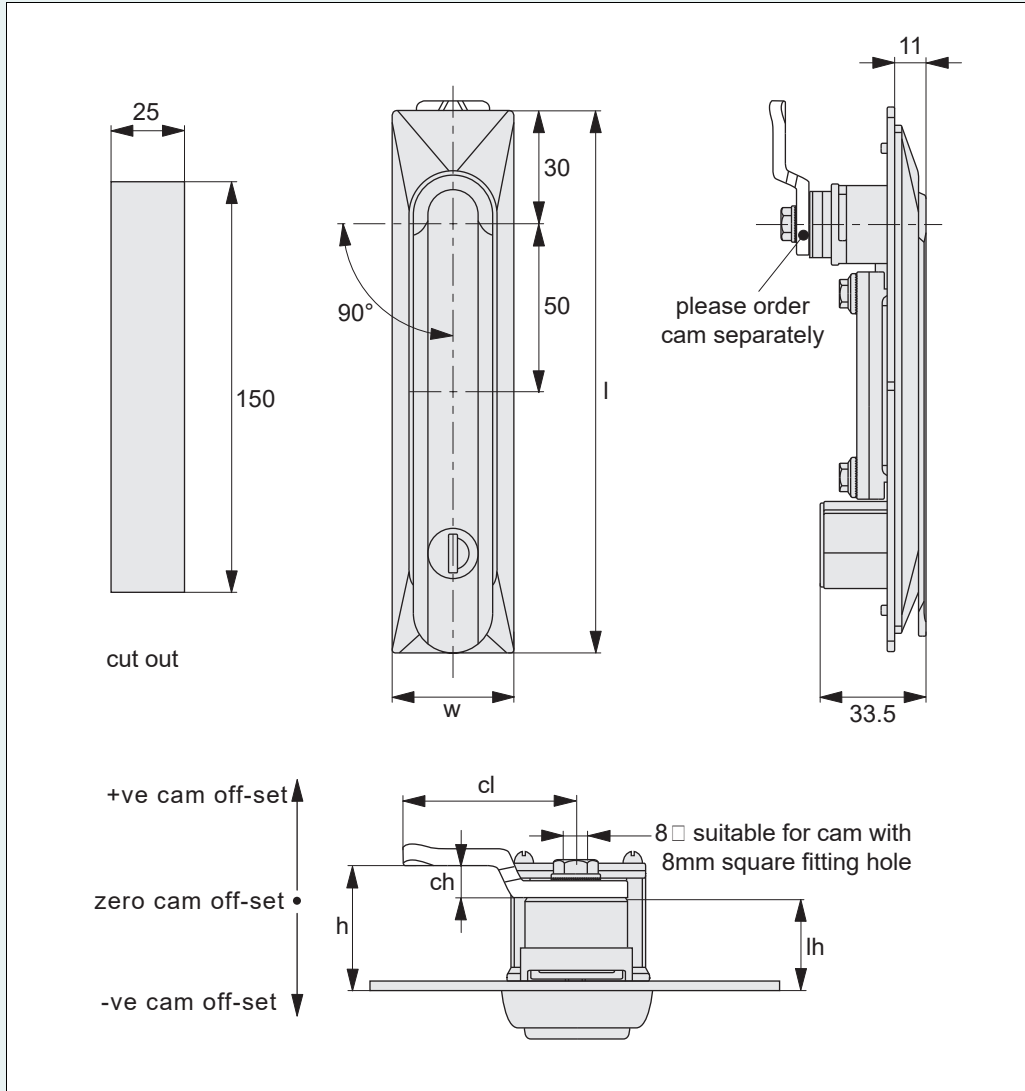


**PL0120**



### Material

Body & Handle: die cast zinc, pocked black power coated.

Polyurethane gasket: to achieve IP65 rating.

Cylinder lock: die cast zinc, chrome plated.

**Supplied with:** Keys: two per lock.

**Not supplied:** Cam: order separately.

### Technical Notes

**Order cam separately.**

**Cams:** see suitable cam CC0020 and CC0040. Select "with projection" cam type. We recommend a 4mm thick cam for best functioning.

Dimensions  $ch$  and  $cl$  relate to cam. Use formula to calculate  $ch$  (required cam off-set), and refer to cam selection chart;

**$ch = h - lh$**  where;

**$ch$**  = required cam off-set/height.

**$h$**  = grip length (distance between inside of latch face and front of cam).

**$lh$**  = body length of cam latch/lock to be used (see product table below).

**Rods & Guides:** to achieve 3-point latching - CC0340, CC0350, CC0355.

### Referral

Gaskets - GA0010 to GA0100.

Order No.	Finish	Lock Type	Key Type	$l$	$w$	$lh$
PL0120.M0010	Black Coated	Std. Cylinder	Keyed Alike	160	36	20