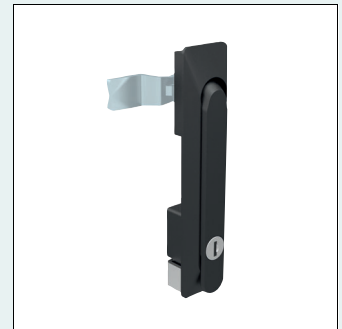
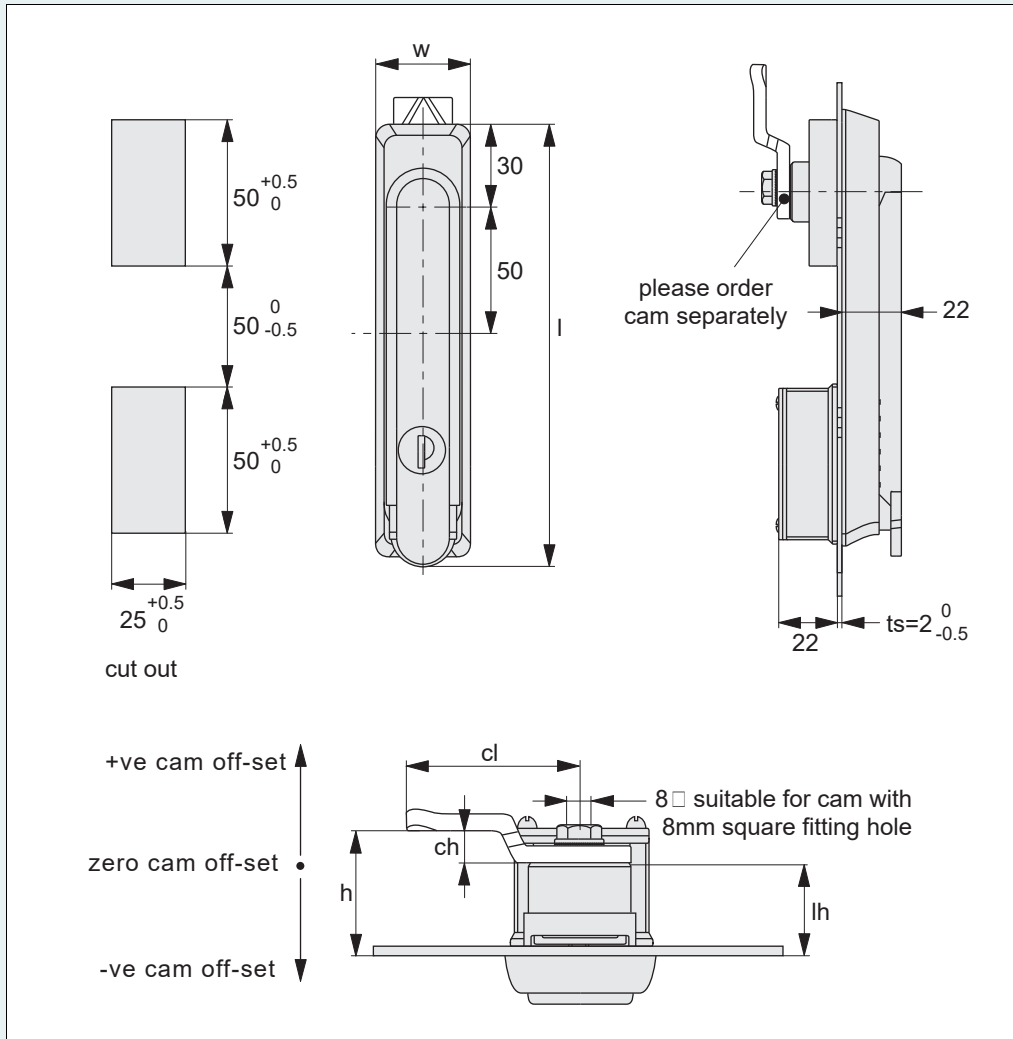


Swing Handles - Cam Control

standard cylinder - polyamide



PL0210

Material

Body & Handle: polyamide PA6, black.
Cylinder lock: die cast zinc, chrome plated.

Supplied with: Keys: two per lock.

Not supplied: Cam: order separately.

Technical Notes

Order cam separately.

Cams: see suitable cam CC0040 and CC0020. Select "without projection" cam type. We recommend a 4mm thick cam for best functioning.

Dimensions ch and cl relate to cam.

Use formula to calculate ch (required cam off-set), and refer to cam selection chart;

$ch = h - lh$ where;

ch = required cam off-set/height.

h = grip length (distance between inside of latch face and front of cam).

lh = body length of cam latch/lock to be used (see product table below).

Rods & Guides: to achieve 3-point latching - CC0340, CC0350, CC0325.

Tips

For use in electrical cabinets, telecom racks or enclosures. Max. panel thickness of 2mm. For use inside of cabinet gasket. Universal left/right.

Referral

Rod control model - PL0520.
Gaskets - GA0010 to GA0100.

Order No.	Finish	Lock Type	Key Type	l	w	lh
PL0210.M0010	Black, Plastic	Std. Cylinder	Keyed Alike	160	35	16