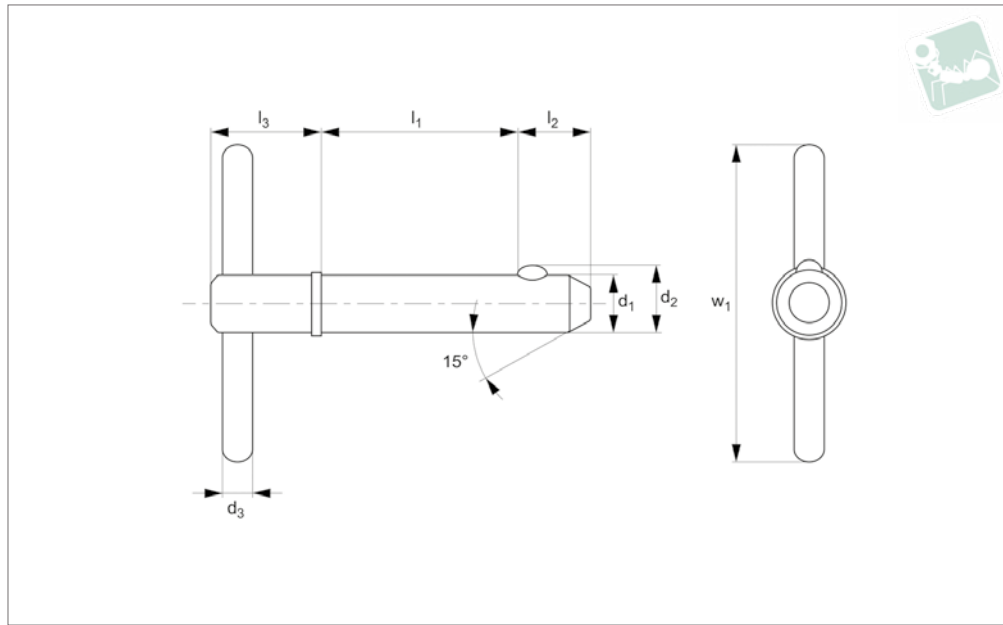




Detent Pin - T Handle - Shoulder

stainless steel

Pull Pins



PP1216

PULL PINS

Material

Shaft: Stainless steel, AISI 303.

Ball & Spring: Stainless steel, AISI 316.

Technical Notes

Detent pins are very economical for use in commercial and military equipment.

The solid body with direct spring loaded ball ensures reliable operation.

For locking telescopic tubing, securing bracket assemblies, as anchor clevis fittings, hinge pins etc where frequent removal is necessary.

Hole sizes - commercial drills provide clearance for our standard pins.

Inch dimensions in brackets ().

Tips

Also available on request in A4 (AISI 316) stainless steel, subject to min. quantity.

Order No.	d ₁ +0.00 -0.08	l ₁ grip +1.50 -0.00	d ₂	d ₃	l ₂	l ₃	Pull out strength kg	w ₁	Single shear strength kN min.
PP1216.018-030-S	4,76 (3/16")	7,62 (0,3")	5.18	2.38	5.08	17.45	1, 9 - 2, 3	25.4	12.2
PP1216.018-050-S	4,76 (3/16")	12,7 (0,5")	5.18	2.38	5.08	17.45	1, 9 - 2, 3	25.4	12.2
PP1216.018-100-S	4,76 (3/16")	25,4 (1")	5.18	2.38	5.08	17.45	1, 9 - 2, 3	25.4	12.2
PP1216.018-150-S	4,76 (3/16")	38,1 (1,5")	5.18	2.38	5.08	17.45	1, 9 - 2, 3	25.4	12.2
PP1216.018-200-S	4,76 (3/16")	50,8 (2")	5.18	2.38	5.08	17.45	1, 9 - 2, 3	25.4	12.2
PP1216.018-250-S	4,76 (3/16")	63,5 (2,5")	5.18	2.38	5.08	17.45	1, 9 - 2, 3	25.4	12.2
PP1216.018-300-S	4,76 (3/16")	76,2 (3")	5.18	2.38	5.08	17.45	1, 9 - 2, 3	25.4	12.2
PP1216.018-350-S	4,76 (3/16")	88,9 (3,5")	5.18	2.38	5.08	17.45	1, 9 - 2, 3	25.4	12.2
PP1216.018-400-S	4,76 (3/16")	101,6 (4")	5.18	2.38	5.08	17.45	1, 9 - 2, 3	25.4	12.2
PP1216.025-050-S	6,35 (1/4")	12,7 (0,5")	7.26	3.17	7.92	18.29	2,27 - 2,73	25.4	21.7
PP1216.025-060-S	6,35 (1/4")	15,24 (0,6")	7.26	3.17	7.92	18.29	2,27 - 2,73	25.4	21.7
PP1216.025-100-S	6,35 (1/4")	25,4 (1")	7.26	3.17	7.92	18.29	2,27 - 2,73	25.4	21.7
PP1216.025-150-S	6,35 (1/4")	38,1 (1,5")	7.26	3.17	7.92	18.29	2,27 - 2,73	25.4	21.7
PP1216.025-200-S	6,35 (1/4")	50,8 (2")	7.26	3.17	7.92	18.29	2,27 - 2,73	25.4	21.7
PP1216.025-250-S	6,35 (1/4")	63,5 (2,5")	7.26	3.17	7.92	18.29	2,27 - 2,73	25.4	21.7
PP1216.025-300-S	6,35 (1/4")	76,2 (3")	7.26	3.17	7.92	18.29	2,27 - 2,73	25.4	21.7
PP1216.025-350-S	6,35 (1/4")	88,9 (3,5")	7.26	3.17	7.92	18.29	2,27 - 2,73	25.4	21.7
PP1216.025-400-S	6,35 (1/4")	101,6 (4")	7.26	3.17	7.92	18.29	2,27 - 2,73	25.4	21.7
PP1216.031-050-S	7,94 (5/16")	12,7 (0,5")	9.09	3.96	9.53	19.05	2,27 - 2,73	25.4	33.8
PP1216.031-100-S	7,94 (5/16")	25,4 (1")	9.09	3.96	9.53	19.05	2,27 - 2,73	25.4	33.8
PP1216.031-150-S	7,94 (5/16")	38,1 (1,5")	9.09	3.96	9.53	19.05	2,27 - 2,73	25.4	33.8
PP1216.031-200-S	7,94 (5/16")	50,8 (2")	9.09	3.96	9.53	19.05	2,27 - 2,73	25.4	33.8
PP1216.031-250-S	7,94 (5/16")	63,5 (2,5")	9.09	3.96	9.53	19.05	2,27 - 2,73	25.4	33.8
PP1216.031-300-S	7,94 (5/16")	76,2 (3")	9.09	3.96	9.53	19.05	2,27 - 2,73	25.4	33.8
PP1216.031-350-S	7,94 (5/16")	88,9 (3,5")	9.09	3.96	9.53	19.05	2,27 - 2,73	25.4	33.8
PP1216.031-400-S	7,94 (5/16")	101,6 (4")	9.09	3.96	9.53	19.05	2,27 - 2,73	25.4	33.8
PP1216.031-450-S	7,94 (5/16")	114,3 (4,5")	9.09	3.96	9.53	19.05	2,27 - 2,73	25.4	33.8
PP1216.031-500-S	7,94 (5/16")	127 (5")	9.09	3.96	9.53	19.05	2,27 - 2,73	25.4	33.8
PP1216.037-050-S	9,53 (3,8")	12,7 (0,5")	10.82	3.96	12.7	19.05	3,63 - 4,54	25.4	49.1
PP1216.037-060-S	9,53 (3,8")	15,24 (0,6")	10.82	3.96	12.7	19.05	3,63 - 4,54	25.4	49.1



Order No.	d ₁ +0.00 -0.08	l ₁ grip +1.50 -0.00	d ₂	d ₃	l ₂	l ₃	Pull out strength kg	w ₁	Single shear strength kN min.
PP1216.037-100-S	9,53 (3,8")	25,4 (1")	10,82	3,96	12,7	19,05	3,63 - 4,54	25,4	49,1
PP1216.037-150-S	9,53 (3,8")	38,1 (1,5")	10,82	3,96	12,7	19,05	3,63 - 4,54	25,4	49,1
PP1216.037-180-S	9,53 (3,8")	45,72 (1,8")	10,82	3,96	12,7	19,05	3,63 - 4,54	25,4	49,1
PP1216.037-200-S	9,53 (3,8")	50,8 (2")	10,82	3,96	12,7	19,05	3,63 - 4,54	25,4	49,1
PP1216.037-250-S	9,53 (3,8")	63,5 (2,5")	10,82	3,96	12,7	19,05	3,63 - 4,54	25,4	49,1
PP1216.037-300-S	9,53 (3,8")	76,2 (3")	10,82	3,96	12,7	19,05	3,63 - 4,54	25,4	49,1
PP1216.037-350-S	9,53 (3,8")	88,9 (3,5")	10,82	3,96	12,7	19,05	3,63 - 4,54	25,4	49,1
PP1216.037-400-S	9,53 (3,8")	101,6 (4")	10,82	3,96	12,7	19,05	3,63 - 4,54	25,4	49,1
PP1216.037-450-S	9,53 (3,8")	114,3 (4,5")	10,82	3,96	12,7	19,05	3,63 - 4,54	25,4	49,1
PP1216.037-500-S	9,53 (3,8")	127 (5")	10,82	3,96	12,7	19,05	3,63 - 4,54	25,4	49,1
PP1216.037-550-S	9,53 (3,8")	139,7 (5,5")	10,82	3,96	12,7	19,05	3,63 - 4,54	25,4	49,1
PP1216.037-600-S	9,53 (3,8")	152,4 (6")	10,82	3,96	12,7	19,05	3,63 - 4,54	25,4	49,1
PP1216.043-050-S	11,11(7,16")	12,7 (0,5")	12,6	3,96	14,27	24,13	4,09 - 5,45	25,4	66,5
PP1216.043-100-S	11,11(7,16")	25,4 (1")	12,6	3,96	14,27	24,13	4,09 - 5,45	25,4	66,5
PP1216.043-150-S	11,11(7,16")	38,1 (1,5")	12,6	3,96	14,27	24,13	4,09 - 5,45	25,4	66,5
PP1216.043-200-S	11,11(7,16")	50,8 (2")	12,6	3,96	14,27	24,13	4,09 - 5,45	25,4	66,5
PP1216.043-250-S	11,11(7,16")	63,5 (2,5")	12,6	3,96	14,27	24,13	4,09 - 5,45	25,4	66,5
PP1216.043-300-S	11,11(7,16")	76,2 (3")	12,6	3,96	14,27	24,13	4,09 - 5,45	25,4	66,5
PP1216.043-350-S	11,11(7,16")	88,9 (3,5")	12,6	3,96	14,27	24,13	4,09 - 5,45	25,4	66,5
PP1216.043-400-S	11,11(7,16")	101,6 (4")	12,6	3,96	14,27	24,13	4,09 - 5,45	25,4	66,5
PP1216.043-450-S	11,11(7,16")	114,3 (4,5")	12,6	3,96	14,27	24,13	4,09 - 5,45	25,4	66,5
PP1216.043-500-S	11,11(7,16")	127 (5")	12,6	3,96	14,27	24,13	4,09 - 5,45	25,4	66,5
PP1216.043-550-S	11,11(7,16")	139,7 (5,5")	12,6	3,96	14,27	24,13	4,09 - 5,45	25,4	66,5
PP1216.043-600-S	11,11(7,16")	152,4 (6")	12,6	3,96	14,27	24,13	4,09 - 5,45	25,4	66,5
PP1216.050-050-S	12,7 (1/2")	12,7 (0,5")	14,48	4,76	15,88	25,7	4,54 - 5,45	31,75	87,1
PP1216.050-100-S	12,7 (1/2")	25,4 (1")	14,48	4,76	15,88	25,7	4,54 - 5,45	31,75	87,1
PP1216.050-130-S	12,7 (1/2")	33,02 (1,3")	14,48	4,76	15,88	25,7	4,54 - 5,45	31,75	87,1
PP1216.050-150-S	12,7 (1/2")	38,1 (1,5")	14,48	4,76	15,88	25,7	4,54 - 5,45	31,75	87,1
PP1216.050-200-S	12,7 (1/2")	50,8 (2")	14,48	4,76	15,88	25,7	4,54 - 5,45	31,75	87,1
PP1216.050-250-S	12,7 (1/2")	63,5 (2,5")	14,48	4,76	15,88	25,7	4,54 - 5,45	31,75	87,1
PP1216.050-350-S	12,7 (1/2")	88,9 (3,5")	14,48	4,76	15,88	25,7	4,54 - 5,45	31,75	87,1
PP1216.050-400-S	12,7 (1/2")	101,6 (4")	14,48	4,76	15,88	25,7	4,54 - 5,45	31,75	87,1
PP1216.050-450-S	12,7 (1/2")	114,3 (4,5")	14,48	4,76	15,88	25,7	4,54 - 5,45	31,75	87,1
PP1216.050-500-S	12,7 (1/2")	127 (5")	14,48	4,76	15,88	25,7	4,54 - 5,45	31,75	87,1
PP1216.050-550-S	12,7 (1/2")	139,7 (5,5")	14,48	4,76	15,88	25,7	4,54 - 5,45	31,75	87,1
PP1216.050-600-S	12,7 (1/2")	152,4 (6")	14,48	4,76	15,88	25,7	4,54 - 5,45	31,75	87,1
PP1216.050-650-S	12,7 (1/2")	165,1 (6,5")	14,48	4,76	15,88	25,7	4,54 - 5,45	31,75	87,1
PP1216.050-700-S	12,7 (1/2")	177,8 (7")	14,48	4,76	15,88	25,7	4,54 - 5,45	31,75	87,1
PP1216.056-100-S	14,29 (9/16")	25,4 (1")	16,31	4,76	17,45	25,7	5,45 - 6,81	31,75	110,3
PP1216.056-150-S	14,29 (9/16")	38,1 (1,5")	16,31	4,76	17,45	25,7	5,45 - 6,81	31,75	110,3
PP1216.056-200-S	14,29 (9/16")	50,8 (2")	16,31	4,76	17,45	25,7	5,45 - 6,81	31,75	110,3
PP1216.056-250-S	14,29 (9/16")	63,5 (2,5")	16,31	4,76	17,45	25,7	5,45 - 6,81	31,75	110,3
PP1216.056-300-S	14,29 (9/16")	76,2 (3")	16,31	4,76	17,45	25,7	5,45 - 6,81	31,75	110,3
PP1216.056-350-S	14,29 (9/16")	88,9 (3,5")	16,31	4,76	17,45	25,7	5,45 - 6,81	31,75	110,3
PP1216.056-400-S	14,29 (9/16")	101,6 (4")	16,31	4,76	17,45	25,7	5,45 - 6,81	31,75	110,3
PP1216.056-450-S	14,29 (9/16")	114,3 (4,5")	16,31	4,76	17,45	25,7	5,45 - 6,81	31,75	110,3
PP1216.056-500-S	14,29 (9/16")	127 (5")	16,31	4,76	17,45	25,7	5,45 - 6,81	31,75	110,3
PP1216.056-550-S	14,29 (9/16")	139,7 (5,5")	16,31	4,76	17,45	25,7	5,45 - 6,81	31,75	110,3
PP1216.056-600-S	14,29 (9/16")	152,4 (6")	16,31	4,76	17,45	25,7	5,45 - 6,81	31,75	110,3
PP1216.056-700-S	14,29 (9/16")	177,8 (7")	16,31	4,76	17,45	25,7	5,45 - 6,81	31,75	110,3
PP1216.062-100-S	15,88 (5/8")	25,4 (1")	18,03	6,35	19,05	27,31	6,36 - 7,26	31,75	137,3
PP1216.062-150-S	15,88 (5/8")	38,1 (1,5")	18,03	6,35	19,05	27,31	6,36 - 7,26	31,75	137,3
PP1216.062-200-S	15,88 (5/8")	50,8 (2")	18,03	6,35	19,05	27,31	6,36 - 7,26	31,75	137,3
PP1216.062-250-S	15,88 (5/8")	63,5 (2,5")	18,03	6,35	19,05	27,31	6,36 - 7,26	31,75	137,3
PP1216.062-300-S	15,88 (5/8")	76,2 (3")	18,03	6,35	19,05	27,31	6,36 - 7,26	31,75	137,3
PP1216.062-350-S	15,88 (5/8")	88,9 (3,5")	18,03	6,35	19,05	27,31	6,36 - 7,26	31,75	137,3
PP1216.062-400-S	15,88 (5/8")	101,6 (4")	18,03	6,35	19,05	27,31	6,36 - 7,26	31,75	137,3
PP1216.062-450-S	15,88 (5/8")	114,3 (4,5")	18,03	6,35	19,05	27,31	6,36 - 7,26	31,75	137,3
PP1216.062-500-S	15,88 (5/8")	127 (5")	18,03	6,35	19,05	27,31	6,36 - 7,26	31,75	137,3
PP1216.062-550-S	15,88 (5/8")	139,7 (5,5")	18,03	6,35	19,05	27,31	6,36 - 7,26	31,75	137,3
PP1216.062-600-S	15,88 (5/8")	152,4 (6")	18,03	6,35	19,05	27,31	6,36 - 7,26	31,75	137,3
PP1216.062-700-S	15,88 (5/8")	177,8 (7")	18,03	6,35	19,05	27,31	6,36 - 7,26	31,75	137,3
PP1216.062-800-S	15,88 (5/8")	203,2 (8")	18,03	6,35	19,05	27,31	6,36 - 7,26	31,75	137,3
PP1216.075-100-S	19,05 (3/4")	25,4 (1")	21,74	6,35	23,8	34,93	8,17 - 9,98	38,1	195,9
PP1216.075-150-S	19,05 (3/4")	38,1 (1,5")	21,74	6,35	23,8	34,93	8,17 - 9,98	38,1	195,9
PP1216.075-200-S	19,05 (3/4")	50,8 (2")	21,74	6,35	23,8	34,93	8,17 - 9,98	38,1	195,9
PP1216.075-250-S	19,05 (3/4")	63,5 (2,5")	21,74	6,35	23,8	34,93	8,17 - 9,98	38,1	195,9



Detent Pin - T Handle - Shoulder stainless steel

Pull Pins

Order No.	d ₁ +0.00 -0.08	l ₁ grip +1.50 -0.00	d ₂	d ₃	l ₂	l ₃	Pull out strength kg	w ₁	Single shear strength kN min.
PP1216.075-300-S	19,05 (3/4")	76,2 (3")	21.74	6.35	23.8	34.93	8,17 - 9,98	38.1	195.9
PP1216.075-350-S	19,05 (3/4")	88,9 (3,5")	21.74	6.35	23.8	34.93	8,17 - 9,98	38.1	195.9
PP1216.075-400-S	19,05 (3/4")	101,6 (4")	21.74	6.35	23.8	34.93	8,17 - 9,98	38.1	195.9
PP1216.075-450-S	19,05 (3/4")	114,3 (4,5")	21.74	6.35	23.8	34.93	8,17 - 9,98	38.1	195.9
PP1216.075-500-S	19,05 (3/4")	127 (5")	21.74	6.35	23.8	34.93	8,17 - 9,98	38.1	195.9
PP1216.075-550-S	19,05 (3/4")	139,7 (5,5")	21.74	6.35	23.8	34.93	8,17 - 9,98	38.1	195.9
PP1216.075-600-S	19,05 (3/4")	152,4 (6")	21.74	6.35	23.8	34.93	8,17 - 9,98	38.1	195.9
PP1216.075-700-S	19,05 (3/4")	177,8 (7")	21.74	6.35	23.8	34.93	8,17 - 9,98	38.1	195.9
PP1216.075-800-S	19,05 (3/4")	203,2 (8")	21.74	6.35	23.8	34.93	8,17 - 9,98	38.1	195.9
PP1216.088-100-S	22,23 (7/8")	25,4 (1")	25.3	9.52	25.4	38.1	12,71 - 14,07	38.1	262.4
PP1216.088-150-S	22,23 (7/8")	38,1 (1,5")	25.3	9.52	25.4	38.1	12,71 - 14,07	38.1	262.4
PP1216.088-200-S	22,23 (7/8")	50,8 (2")	25.3	9.52	25.4	38.1	12,71 - 14,07	38.1	262.4
PP1216.088-250-S	22,23 (7/8")	63,5 (2,5")	25.3	9.52	25.4	38.1	12,71 - 14,07	38.1	262.4
PP1216.088-300-S	22,23 (7/8")	76,2 (3")	25.3	9.52	25.4	38.1	12,71 - 14,07	38.1	262.4
PP1216.088-350-S	22,23 (7/8")	88,9 (3,5")	25.3	9.52	25.4	38.1	12,71 - 14,07	38.1	262.4
PP1216.088-400-S	22,23 (7/8")	101,6 (4")	25.3	9.52	25.4	38.1	12,71 - 14,07	38.1	262.4
PP1216.088-450-S	22,23 (7/8")	114,3 (4,5")	25.3	9.52	25.4	38.1	12,71 - 14,07	38.1	262.4
PP1216.088-500-S	22,23 (7/8")	127 (5")	25.3	9.52	25.4	38.1	12,71 - 14,07	38.1	262.4
PP1216.088-550-S	22,23 (7/8")	139,7 (5,5")	25.3	9.52	25.4	38.1	12,71 - 14,07	38.1	262.4
PP1216.088-600-S	22,23 (7/8")	152,4 (6")	25.3	9.52	25.4	38.1	12,71 - 14,07	38.1	262.4
PP1216.088-650-S	22,23 (7/8")	165,1 (6,5")	25.3	9.52	25.4	38.1	12,71 - 14,07	38.1	262.4
PP1216.088-700-S	22,23 (7/8")	177,8 (7")	25.3	9.52	25.4	38.1	12,71 - 14,07	38.1	262.4
PP1216.088-800-S	22,23 (7/8")	203,2 (8")	25.3	9.52	25.4	38.1	12,71 - 14,07	38.1	262.4
PP1216.100-100-S	25,4 (1")	25,4 (1")	28.96	9.52	31.75	38.1	15,88 - 18,15	38.1	353.0
PP1216.100-150-S	25,4 (1")	38,1 (1,5")	28.96	9.52	31.75	38.1	15,88 - 18,15	38.1	353.0
PP1216.100-200-S	25,4 (1")	50,8 (2")	28.96	9.52	31.75	38.1	15,88 - 18,15	38.1	353.0
PP1216.100-250-S	25,4 (1")	63,5 (2,5")	28.96	9.52	31.75	38.1	15,88 - 18,15	38.1	353.0
PP1216.100-300-S	25,4 (1")	76,2 (3")	28.96	9.52	31.75	38.1	15,88 - 18,15	38.1	353.0
PP1216.100-350-S	25,4 (1")	88,9 (3,5")	28.96	9.52	31.75	38.1	15,88 - 18,15	38.1	353.0
PP1216.100-400-S	25,4 (1")	101,6 (4")	28.96	9.52	31.75	38.1	15,88 - 18,15	38.1	353.0
PP1216.100-450-S	25,4 (1")	114,3 (4,5")	28.96	9.52	31.75	38.1	15,88 - 18,15	38.1	353.0
PP1216.100-500-S	25,4 (1")	127 (5")	28.96	9.52	31.75	38.1	15,88 - 18,15	38.1	353.0
PP1216.100-550-S	25,4 (1")	139,7 (5,5")	28.96	9.52	31.75	38.1	15,88 - 18,15	38.1	353.0
PP1216.100-600-S	25,4 (1")	152,4 (6")	28.96	9.52	31.75	38.1	15,88 - 18,15	38.1	353.0
PP1216.100-700-S	25,4 (1")	177,8 (7")	28.96	9.52	31.75	38.1	15,88 - 18,15	38.1	353.0
PP1216.100-800-S	25,4 (1")	203,2 (8")	28.96	9.52	31.75	38.1	15,88 - 18,15	38.1	353.0

PULL PINS