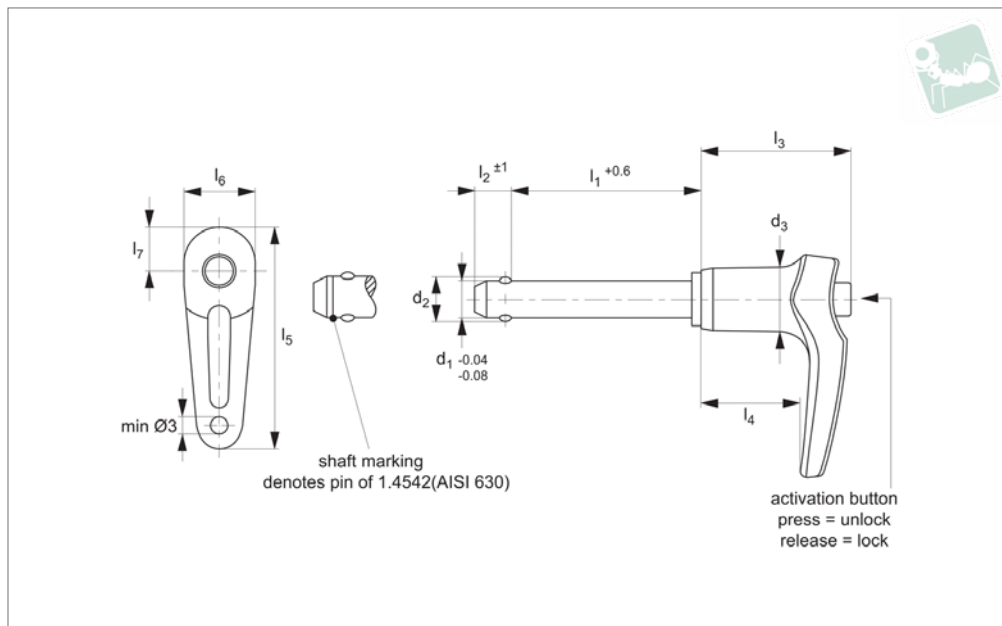




Ball Lock Pins - Single Acting - L- self-locking - stainless 1.4542

Quick Release Pins



QR1106

QUICK RELEASE PINS

Material

Pin: stainless steel 1.4542 (AISI 630).
Precipitation hardened, blast finish. Offering extreme load capacity. (Marked at end of shaft to denote 1.4542 material).
Ball: stainless steel 1.3541
Handle: aluminium, black (RAL9003).
Spring: stainless steel.

Technical Notes

Pressing = unlocking.
Releasing = locking.
Temperature resistance -30°C to +150°C.
For quick fastening and locking of frequently repeated connections.

Tips

For lanyards & retaining cables see apt no. LA1066. Easy install locating bushes available see part no. LA1310.

Important Notes

*Shearing resistance similar to DIN 50141.

Order No.	Material	d ₁	l ₁	d ₂	d ₃	l ₂	l ₃	l ₄	l ₅	l ₆	l ₇	Location hole dia. tol. H11	Shearing resistance kN	Weight g
QR1106.M05-010-T	Stainless 1.4542	5	10	5.5	11.8	6.0	31.6	21.9	43.8	12.6	8.5	5	24	20
QR1106.M05-015-T	Stainless 1.4542	5	15	5.5	11.8	6.0	31.6	21.9	43.8	12.6	8.5	5	24	21
QR1106.M05-020-T	Stainless 1.4542	5	20	5.5	11.8	6.0	31.6	21.9	43.8	12.6	8.5	5	24	21
QR1106.M05-025-T	Stainless 1.4542	5	25	5.5	11.8	6.0	31.6	21.9	43.8	12.6	8.5	5	24	22
QR1106.M05-030-T	Stainless 1.4542	5	30	5.5	11.8	6.0	31.6	21.9	43.8	12.6	8.5	5	24	23
QR1106.M06-010-T	Stainless 1.4542	6	10	7.0	11.8	7.0	31.6	21.9	43.8	12.6	8.5	6	35	21
QR1106.M06-015-T	Stainless 1.4542	6	15	7.0	11.8	7.0	31.6	21.9	43.8	12.6	8.5	6	35	22
QR1106.M06-020-T	Stainless 1.4542	6	20	7.0	11.8	7.0	31.6	21.9	43.8	12.6	8.5	6	35	23
QR1106.M06-025-T	Stainless 1.4542	6	25	7.0	11.8	7.0	31.6	21.9	43.8	12.6	8.5	6	35	24
QR1106.M06-030-T	Stainless 1.4542	6	30	7.0	11.8	7.0	31.6	21.9	43.8	12.6	8.5	6	35	25
QR1106.M06-035-T	Stainless 1.4542	6	35	7.0	11.8	7.0	31.6	21.9	43.8	12.6	8.5	6	35	26
QR1106.M06-040-T	Stainless 1.4542	6	40	7.0	11.8	7.0	31.6	21.9	43.8	12.6	8.5	6	35	27
QR1106.M06-045-T	Stainless 1.4542	6	45	7.0	11.8	7.0	31.6	21.9	43.8	12.6	8.5	6	35	28
QR1106.M06-050-T	Stainless 1.4542	6	50	7.0	11.8	7.0	31.6	21.9	43.8	12.6	8.5	6	35	29

Quick Release Pins

Ball Lock Pins - Single Acting - L- self-locking - stainless 1.4542



QUICK RELEASE PINS

Order No.	Material	d ₁	l ₁	d ₂	d ₃	l ₂	l ₃	l ₄	l ₅	l ₆	l ₇	Location hole dia. tol. H11	Shearing resistance kN	Weight g
QR1106.M08-020-T	Stainless 1.4542	8	20	9.5	14.7	8.2	35.8	24.4	49.7	15.8	9.9	8	63	37
QR1106.M08-025-T	Stainless 1.4542	8	25	9.5	14.7	8.2	35.8	24.4	49.7	15.8	9.9	8	63	39
QR1106.M08-030-T	Stainless 1.4542	8	30	9.5	14.7	8.2	35.8	24.4	49.7	15.8	9.9	8	63	41
QR1106.M08-035-T	Stainless 1.4542	8	35	9.5	14.7	8.2	35.8	24.4	49.7	15.8	9.9	8	63	43
QR1106.M08-040-T	Stainless 1.4542	8	40	9.5	14.7	8.2	35.8	24.4	49.7	15.8	9.9	8	63	45
QR1106.M08-045-T	Stainless 1.4542	8	45	9.5	14.7	8.2	35.8	24.4	49.7	15.8	9.9	8	63	46
QR1106.M08-050-T	Stainless 1.4542	8	50	9.5	14.7	8.2	35.8	24.4	49.7	15.8	9.9	8	63	48
QR1106.M10-020-T	Stainless 1.4542	10	20	12.0	14.7	9.6	35.8	24.4	49.7	15.8	9.9	10	100	44
QR1106.M10-025-T	Stainless 1.4542	10	25	12.0	14.7	9.6	35.8	24.4	49.7	15.8	9.9	10	100	47
QR1106.M10-030-T	Stainless 1.4542	10	30	12.0	14.7	9.6	35.8	24.4	49.7	15.8	9.9	10	100	50
QR1106.M10-035-T	Stainless 1.4542	10	35	12.0	14.7	9.6	35.8	24.4	49.7	15.8	9.9	10	100	53
QR1106.M10-040-T	Stainless 1.4542	10	40	12.0	14.7	9.6	35.8	24.4	49.7	15.8	9.9	10	100	56
QR1106.M10-045-T	Stainless 1.4542	10	45	12.0	14.7	9.6	35.8	24.4	49.7	15.8	9.9	10	100	58
QR1106.M10-050-T	Stainless 1.4542	10	50	12.0	14.7	9.6	35.8	24.4	49.7	15.8	9.9	10	100	62
QR1106.M10-060-T	Stainless 1.4542	10	60	12.0	14.7	9.6	35.8	24.4	49.7	15.8	9.9	10	100	67
QR1106.M12-025-T	Stainless 1.4542	12	25	14.5	18.2	10.6	35.1	22.7	57.1	20.2	12.6	12	144	73
QR1106.M12-030-T	Stainless 1.4542	12	30	14.5	18.2	10.6	35.1	22.7	57.1	20.2	12.6	12	144	77
QR1106.M12-035-T	Stainless 1.4542	12	35	14.5	18.2	10.6	35.1	22.7	57.1	20.2	12.6	12	144	82
QR1106.M12-040-T	Stainless 1.4542	12	40	14.5	18.2	10.6	35.1	22.7	57.1	20.2	12.6	12	144	86
QR1106.M12-045-T	Stainless 1.4542	12	45	14.5	18.2	10.6	35.1	22.7	57.1	20.2	12.6	12	144	90
QR1106.M12-050-T	Stainless 1.4542	12	50	14.5	18.2	10.6	35.1	22.7	57.1	20.2	12.6	12	144	94
QR1106.M12-060-T	Stainless 1.4542	12	60	14.5	18.2	10.6	35.1	22.7	57.1	20.2	12.6	12	144	103
QR1106.M12-070-T	Stainless 1.4542	12	70	14.5	18.2	10.6	35.1	22.7	57.1	20.2	12.6	12	144	111
QR1106.M12-080-T	Stainless 1.4542	12	80	14.5	18.2	10.6	35.1	22.7	57.1	20.2	12.6	12	144	120



Sound Rigging Systems

Ball lock pins on a sound rigging system. Offering secure fixing with high shear forces and easy fitting for operators at heights.

In addition full black powder coating of grip and actuation button eliminates glare from other stage lighting.

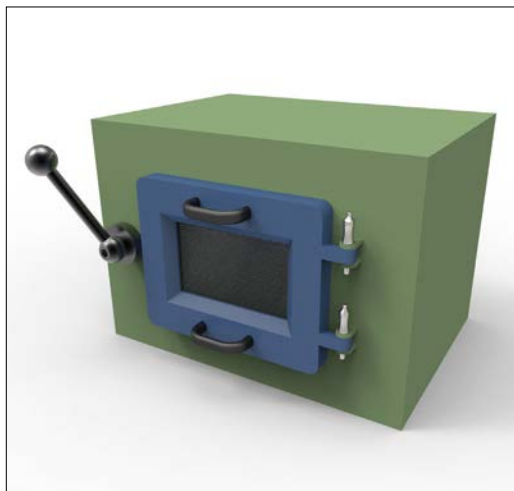


QUICK RELEASE PINS

Gym Equipment



Scientific and Medical



ov-W33060.BK-A-TOR1706-W33250-A-TLA1066-a-rmh - Updated - 27-10-2022



Pin Material

1.4305 (AISI 303) - shear force approx. 60% of higher material version 1.4542

1.4542 (AISI 630) - identified by the ridge on the pin

CRES 17-4PH (AMS 5643) aviation standard



Handle Style



Plastic tri-star



T-handled, metal



L-handled, metal



Mushroom, metal



Single piece metal, contoured



Special plastic self-spring



Adjustable grip length, plastic



Key ring



Safety, metal



Mushroom Type B aviation

Type R aviation

Lanyards and Locating Bushes



Stainless wire - (coated) - 2 x key ring



Stainless wire - Key ring and fixing loop



Plastic - 2 x cable tie



Steel wire - (coated) - 2 x key ring



Stainless bead chain - 2 x key ring



Locating bushes

Actuation



Press = unlock
Release = lock (standard)



Press = unlock and position
Release = lock and simultaneous clamp



Simple spring loaded balls "pullout pin"

Important Note

Important Note: Ball lock pins are not suited to lifting applications!
For quick release lifting pins, see part 33400.



Shear force



Lifting force

Special Variations

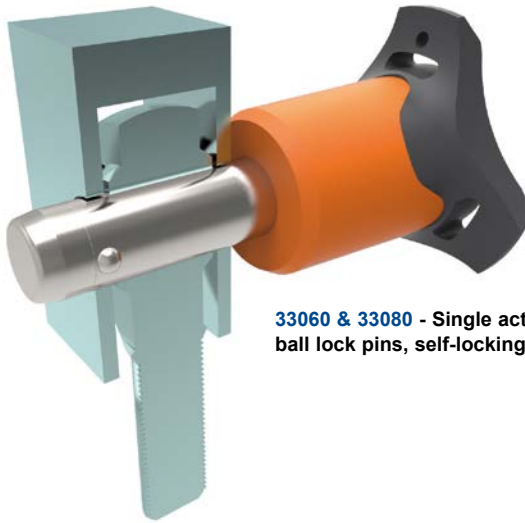


Variations on our standard designs are possible, please contact our sales team for technical assistance. Quick production on specials can be as little as 3 weeks.



Applications

- Positioning.
- Lifting.
- Locking.
- Indexing.
- Joining.



33060 & 33080 - Single acting ball lock pins, self-locking.



33194 - Single acting ball lock pins, self locking, simple finish.



33140 - Socket pins, non-locking, spring loaded balls.



33100 - Single acting ball lock pin, self locking.



33180 - Clamping pins, with span compensation, self-locking.



33250 & 33270 - Lanyards.



33220 - Ball lock pins, single acting - L-handle

QUICK RELEASE PINS

ov-W33060.BK-A-TOR1706-W33250-A-TLA1066-c-rmh - Updated - 27-10-2022