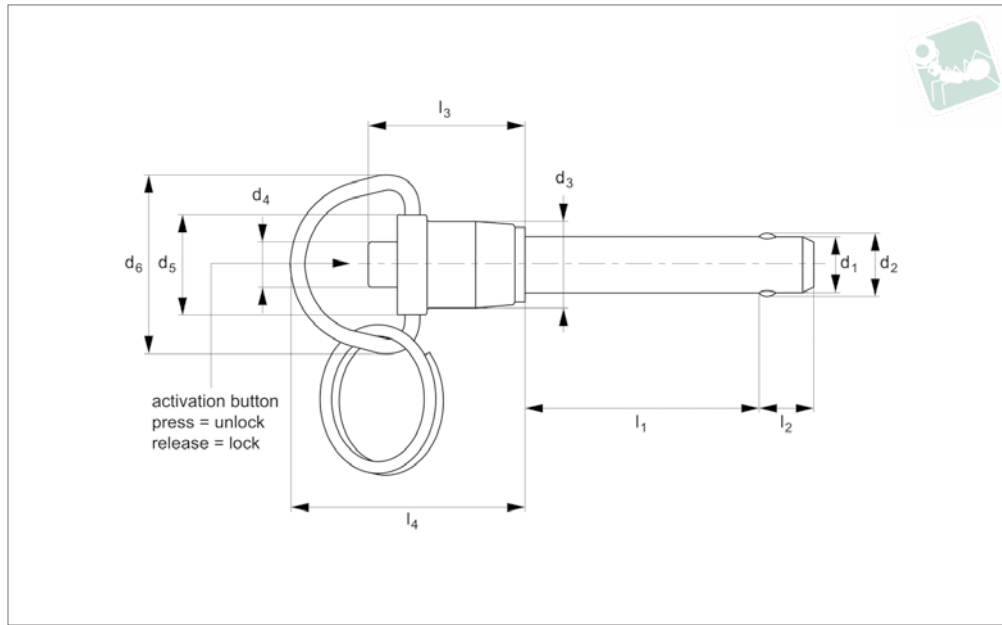




# Quick Release Pins - Inch - R-handle

precipitation hardened stainless pin

# Quick Release Pins



**QR1326**

QUICK RELEASE PINS

### Material

Pin: stainless steel 17-4PH (DIN 1.4542, AISI 630), precipitation hardened, passivated. Tensile strength 1,300 N/mm<sup>2</sup> min. HRC 40. RoHS compliant.  
 Handle: Alu. 2024-T4 (DIN AlCuMg2), black anodised (RAL 9003).  
 Actuator button: Alu. 2024-T4 (DIN AlCuMg2), anodised blue or clear.

Internal spindle, balls and split ring (supplied); from stainless steel.

### Technical Notes

Pressing = unlocking.  
 Releasing = locking.  
 Temperature range -30°C to +150°C  
**Supplied with split ring.**

### Tips

For quick fastening and locking frequently repeated connections.  
 For lanyards & retaining cables see part nos. L to LA1224. For easy install locating bushes and end caps see part nos. LA1260 to LA1355.

| Order No.        | Material | l <sub>1</sub> grip<br>+0.02 -<br>0.00 | d <sub>1</sub><br>min. | d <sub>1</sub><br>max. | d <sub>1</sub><br>nom. | d <sub>2</sub> | d <sub>3</sub> | d <sub>4</sub> | d <sub>5</sub> | d <sub>6</sub> | l <sub>2</sub> | l <sub>3</sub> | l <sub>4</sub> | Loc'n hole<br>min. max. | Pull out<br>strength<br>lb<br>min. | Calc.<br>double<br>shear<br>lb |
|------------------|----------|--|------------------------|------------------------|------------------------|----------------|----------------|----------------|----------------|----------------|----------------|----------------|----------------|-------------------------|------------------------------------|--------------------------------|
| QR1326.I18-050-T | 17-4 PH  | 0,50                                   | ,1870                  | ,1885                  | 3/16                   | 0,220          | 0,47           | 0,23           | 0,59           | 1,16           | 0,260          | 0,92           | 1,45           | ,1900/,1940             | 200                                | 5150                           |
| QR1326.I18-075-T | 17-4 PH  | 0,75                                   | ,1870                  | ,1885                  | 3/16                   | 0,220          | 0,47           | 0,23           | 0,59           | 1,16           | 0,260          | 0,92           | 1,45           | ,1900/,1940             | 200                                | 5150                           |
| QR1326.I18-100-T | 17-4 PH  | 1,00                                   | ,1870                  | ,1885                  | 3/16                   | 0,220          | 0,47           | 0,23           | 0,59           | 1,16           | 0,260          | 0,92           | 1,45           | ,1900/,1940             | 200                                | 5150                           |
| QR1326.I18-125-T | 17-4 PH  | 1,25                                   | ,1870                  | ,1885                  | 3/16                   | 0,220          | 0,47           | 0,23           | 0,59           | 1,16           | 0,260          | 0,92           | 1,45           | ,1900/,1940             | 200                                | 5150                           |
| QR1326.I18-150-T | 17-4 PH  | 1,50                                   | ,1870                  | ,1885                  | 3/16                   | 0,220          | 0,47           | 0,23           | 0,59           | 1,16           | 0,260          | 0,92           | 1,45           | ,1900/,1940             | 200                                | 5150                           |
| QR1326.I18-175-T | 17-4 PH  | 1,75                                   | ,1870                  | ,1885                  | 3/16                   | 0,220          | 0,47           | 0,23           | 0,59           | 1,16           | 0,260          | 0,92           | 1,45           | ,1900/,1940             | 200                                | 5150                           |
| QR1326.I18-200-T | 17-4 PH  | 2,00                                   | ,1870                  | ,1885                  | 3/16                   | 0,220          | 0,47           | 0,23           | 0,59           | 1,16           | 0,260          | 0,92           | 1,45           | ,1900/,1940             | 200                                | 5150                           |
| QR1326.I18-250-T | 17-4 PH  | 2,50                                   | ,1870                  | ,1885                  | 3/16                   | 0,220          | 0,47           | 0,23           | 0,59           | 1,16           | 0,260          | 0,92           | 1,45           | ,1900/,1940             | 200                                | 5150                           |
| QR1326.I18-300-T | 17-4 PH  | 3,00                                   | ,1870                  | ,1885                  | 3/16                   | 0,220          | 0,47           | 0,23           | 0,59           | 1,16           | 0,260          | 0,92           | 1,45           | ,1900/,1940             | 200                                | 5150                           |
| QR1326.I18-350-T | 17-4 PH  | 3,50                                   | ,1870                  | ,1885                  | 3/16                   | 0,220          | 0,47           | 0,23           | 0,59           | 1,16           | 0,260          | 0,92           | 1,45           | ,1900/,1940             | 200                                | 5150                           |
| QR1326.I18-400-T | 17-4 PH  | 4,00                                   | ,1870                  | ,1885                  | 3/16                   | 0,220          | 0,47           | 0,23           | 0,59           | 1,16           | 0,260          | 0,92           | 1,45           | ,1900/,1940             | 200                                | 5150                           |
| QR1326.I25-050-T | 17-4 PH  | 0,50                                   | ,2470                  | ,2485                  | 1/4                    | 0,289          | 0,47           | 0,23           | 0,59           | 1,16           | 0,290          | 0,92           | 1,45           | ,2500/,2540             | 230                                | 9200                           |
| QR1326.I25-075-T | 17-4 PH  | 0,75                                   | ,2470                  | ,2485                  | 1/4                    | 0,289          | 0,47           | 0,23           | 0,59           | 1,16           | 0,290          | 0,92           | 1,45           | ,2500/,2540             | 230                                | 9200                           |
| QR1326.I25-100-T | 17-4 PH  | 1,00                                   | ,2470                  | ,2485                  | 1/4                    | 0,289          | 0,47           | 0,23           | 0,59           | 1,16           | 0,290          | 0,92           | 1,45           | ,2500/,2540             | 230                                | 9200                           |
| QR1326.I25-125-T | 17-4 PH  | 1,25                                   | ,2470                  | ,2485                  | 1/4                    | 0,289          | 0,47           | 0,23           | 0,59           | 1,16           | 0,290          | 0,92           | 1,45           | ,2500/,2540             | 230                                | 9200                           |
| QR1326.I25-150-T | 17-4 PH  | 1,50                                   | ,2470                  | ,2485                  | 1/4                    | 0,289          | 0,47           | 0,23           | 0,59           | 1,16           | 0,290          | 0,92           | 1,45           | ,2500/,2540             | 230                                | 9200                           |
| QR1326.I25-175-T | 17-4 PH  | 1,75                                   | ,2470                  | ,2485                  | 1/4                    | 0,289          | 0,47           | 0,23           | 0,59           | 1,16           | 0,290          | 0,92           | 1,45           | ,2500/,2540             | 230                                | 9200                           |
| QR1326.I25-200-T | 17-4 PH  | 2,00                                   | ,2470                  | ,2485                  | 1/4                    | 0,289          | 0,47           | 0,23           | 0,59           | 1,16           | 0,290          | 0,92           | 1,45           | ,2500/,2540             | 230                                | 9200                           |
| QR1326.I25-250-T | 17-4 PH  | 2,50                                   | ,2470                  | ,2485                  | 1/4                    | 0,289          | 0,47           | 0,23           | 0,59           | 1,16           | 0,290          | 0,92           | 1,45           | ,2500/,2540             | 230                                | 9200                           |
| QR1326.I25-300-T | 17-4 PH  | 3,00                                   | ,2470                  | ,2485                  | 1/4                    | 0,289          | 0,47           | 0,23           | 0,59           | 1,16           | 0,290          | 0,92           | 1,45           | ,2500/,2540             | 230                                | 9200                           |
| QR1326.I25-350-T | 17-4 PH  | 3,50                                   | ,2470                  | ,2485                  | 1/4                    | 0,289          | 0,47           | 0,23           | 0,59           | 1,16           | 0,290          | 0,92           | 1,45           | ,2500/,2540             | 230                                | 9200                           |
| QR1326.I25-400-T | 17-4 PH  | 4,00                                   | ,2470                  | ,2485                  | 1/4                    | 0,289          | 0,47           | 0,23           | 0,59           | 1,16           | 0,290          | 0,92           | 1,45           | ,2500/,2540             | 230                                | 9200                           |
| QR1326.I31-050-T | 17-4 PH  | 0,50                                   | ,3095                  | ,3110                  | 5/16                   | 0,375          | 0,47           | 0,23           | 0,59           | 1,16           | 0,330          | 0,92           | 1,45           | ,3125/,3165             | 510                                | 14400                          |
| QR1326.I31-075-T | 17-4 PH  | 0,75                                   | ,3095                  | ,3110                  | 5/16                   | 0,375          | 0,47           | 0,23           | 0,59           | 1,16           | 0,330          | 0,92           | 1,45           | ,3125/,3165             | 510                                | 14400                          |
| QR1326.I31-100-T | 17-4 PH  | 1,00                                   | ,3095                  | ,3110                  | 5/16                   | 0,375          | 0,47           | 0,23           | 0,59           | 1,16           | 0,330          | 0,92           | 1,45           | ,3125/,3165             | 510                                | 14400                          |
| QR1326.I31-125-T | 17-4 PH  | 1,25                                   | ,3095                  | ,3110                  | 5/16                   | 0,375          | 0,47           | 0,23           | 0,59           | 1,16           | 0,330          | 0,92           | 1,45           | ,3125/,3165             | 510                                | 14400                          |

# Quick Release Pins

# Quick Release Pins - Inch - R-handle

precipitation hardened stainless pin



QUICK RELEASE PINS

| Order No.        | Material | l <sub>1</sub> grip<br>+0.02 -<br>0.00 | d <sub>1</sub><br>min. | d <sub>1</sub><br>max. | d <sub>1</sub><br>nom. | d <sub>2</sub> | d <sub>3</sub> | d <sub>4</sub> | d <sub>5</sub> | d <sub>6</sub> | l <sub>2</sub> | l <sub>3</sub> | l <sub>4</sub> | Loc'n hole<br>min. max. | Pull out<br>strength<br>lb<br>min. | Calc.<br>double<br>shear<br>lb |
|------------------|----------|--|------------------------|------------------------|------------------------|----------------|----------------|----------------|----------------|----------------|----------------|----------------|----------------|-------------------------|------------------------------------|--------------------------------|
| QR1326.I31-150-T | 17-4 PH  | 1,50                                   | ,3095                  | ,3110                  | 5/16                   | 0,375          | 0,47           | 0,23           | 0,59           | 1,16           | 0,330          | 0,92           | 1,45           | ,3125/,3165             | 510                                | 14400                          |
| QR1326.I31-175-T | 17-4 PH  | 1,75                                   | ,3095                  | ,3110                  | 5/16                   | 0,375          | 0,47           | 0,23           | 0,59           | 1,16           | 0,330          | 0,92           | 1,45           | ,3125/,3165             | 510                                | 14400                          |
| QR1326.I31-200-T | 17-4 PH  | 2,00                                   | ,3095                  | ,3110                  | 5/16                   | 0,375          | 0,47           | 0,23           | 0,59           | 1,16           | 0,330          | 0,92           | 1,45           | ,3125/,3165             | 510                                | 14400                          |
| QR1326.I31-250-T | 17-4 PH  | 2,50                                   | ,3095                  | ,3110                  | 5/16                   | 0,375          | 0,47           | 0,23           | 0,59           | 1,16           | 0,330          | 0,92           | 1,45           | ,3125/,3165             | 510                                | 14400                          |
| QR1326.I31-300-T | 17-4 PH  | 3,00                                   | ,3095                  | ,3110                  | 5/16                   | 0,375          | 0,47           | 0,23           | 0,59           | 1,16           | 0,330          | 0,92           | 1,45           | ,3125/,3165             | 510                                | 14400                          |
| QR1326.I31-350-T | 17-4 PH  | 3,50                                   | ,3095                  | ,3110                  | 5/16                   | 0,375          | 0,47           | 0,23           | 0,59           | 1,16           | 0,330          | 0,92           | 1,45           | ,3125/,3165             | 510                                | 14400                          |
| QR1326.I31-400-T | 17-4 PH  | 4,00                                   | ,3095                  | ,3110                  | 5/16                   | 0,375          | 0,47           | 0,23           | 0,59           | 1,16           | 0,330          | 0,92           | 1,45           | ,3125/,3165             | 510                                | 14400                          |
| QR1326.I37-050-T | 17-4 PH  | 0,50                                   | ,3720                  | ,3735                  | 3/8                    | 0,440          | 0,56           | 0,29           | 0,65           | 1,16           | 0,365          | 1,01           | 1,52           | ,3750/,3790             | 575                                | 20600                          |
| QR1326.I37-075-T | 17-4 PH  | 0,75                                   | ,3720                  | ,3735                  | 3/8                    | 0,440          | 0,56           | 0,29           | 0,65           | 1,16           | 0,365          | 1,01           | 1,52           | ,3750/,3790             | 575                                | 20600                          |
| QR1326.I37-100-T | 17-4 PH  | 1,00                                   | ,3720                  | ,3735                  | 3/8                    | 0,440          | 0,56           | 0,29           | 0,65           | 1,16           | 0,365          | 1,01           | 1,52           | ,3750/,3790             | 575                                | 20600                          |
| QR1326.I37-125-T | 17-4 PH  | 1,25                                   | ,3720                  | ,3735                  | 3/8                    | 0,440          | 0,56           | 0,29           | 0,65           | 1,16           | 0,365          | 1,01           | 1,52           | ,3750/,3790             | 575                                | 20600                          |
| QR1326.I37-150-T | 17-4 PH  | 1,50                                   | ,3720                  | ,3735                  | 3/8                    | 0,440          | 0,56           | 0,29           | 0,65           | 1,16           | 0,365          | 1,01           | 1,52           | ,3750/,3790             | 575                                | 20600                          |
| QR1326.I37-175-T | 17-4 PH  | 1,75                                   | ,3720                  | ,3735                  | 3/8                    | 0,440          | 0,56           | 0,29           | 0,65           | 1,16           | 0,365          | 1,01           | 1,52           | ,3750/,3790             | 575                                | 20600                          |
| QR1326.I37-200-T | 17-4 PH  | 2,00                                   | ,3720                  | ,3735                  | 3/8                    | 0,440          | 0,56           | 0,29           | 0,65           | 1,16           | 0,365          | 1,01           | 1,52           | ,3750/,3790             | 575                                | 20600                          |
| QR1326.I37-250-T | 17-4 PH  | 2,50                                   | ,3720                  | ,3735                  | 3/8                    | 0,440          | 0,56           | 0,29           | 0,65           | 1,16           | 0,365          | 1,01           | 1,52           | ,3750/,3790             | 575                                | 20600                          |
| QR1326.I37-300-T | 17-4 PH  | 3,00                                   | ,3720                  | ,3735                  | 3/8                    | 0,440          | 0,56           | 0,29           | 0,65           | 1,16           | 0,365          | 1,01           | 1,52           | ,3750/,3790             | 575                                | 20600                          |
| QR1326.I37-350-T | 17-4 PH  | 3,50                                   | ,3720                  | ,3735                  | 3/8                    | 0,440          | 0,56           | 0,29           | 0,65           | 1,16           | 0,365          | 1,01           | 1,52           | ,3750/,3790             | 575                                | 20600                          |
| QR1326.I37-400-T | 17-4 PH  | 4,00                                   | ,3720                  | ,3735                  | 3/8                    | 0,440          | 0,56           | 0,29           | 0,65           | 1,16           | 0,365          | 1,01           | 1,52           | ,3750/,3790             | 575                                | 20600                          |
| QR1326.I50-100-T | 17-4 PH  | 1,00                                   | ,4970                  | ,4985                  | 1/2                    | 0,594          | 0,72           | 0,42           | 0,81           | 1,43           | 0,460          | 1,27           | 1,88           | ,5000/,5050             | 1160                               | 36800                          |
| QR1326.I50-125-T | 17-4 PH  | 1,25                                   | ,4970                  | ,4985                  | 1/2                    | 0,594          | 0,72           | 0,42           | 0,81           | 1,43           | 0,460          | 1,27           | 1,88           | ,5000/,5050             | 1160                               | 36800                          |
| QR1326.I50-150-T | 17-4 PH  | 1,50                                   | ,4970                  | ,4985                  | 1/2                    | 0,594          | 0,72           | 0,42           | 0,81           | 1,43           | 0,460          | 1,27           | 1,88           | ,5000/,5050             | 1160                               | 36800                          |
| QR1326.I50-175-T | 17-4 PH  | 1,75                                   | ,4970                  | ,4985                  | 1/2                    | 0,594          | 0,72           | 0,42           | 0,81           | 1,43           | 0,460          | 1,27           | 1,88           | ,5000/,5050             | 1160                               | 36800                          |
| QR1326.I50-200-T | 17-4 PH  | 2,00                                   | ,4970                  | ,4985                  | 1/2                    | 0,594          | 0,72           | 0,42           | 0,81           | 1,43           | 0,460          | 1,27           | 1,88           | ,5000/,5050             | 1160                               | 36800                          |
| QR1326.I50-250-T | 17-4 PH  | 2,50                                   | ,4970                  | ,4985                  | 1/2                    | 0,594          | 0,72           | 0,42           | 0,81           | 1,43           | 0,460          | 1,27           | 1,88           | ,5000/,5050             | 1160                               | 36800                          |
| QR1326.I50-300-T | 17-4 PH  | 3,00                                   | ,4970                  | ,4985                  | 1/2                    | 0,594          | 0,72           | 0,42           | 0,81           | 1,43           | 0,460          | 1,27           | 1,88           | ,5000/,5050             | 1160                               | 36800                          |
| QR1326.I50-350-T | 17-4 PH  | 3,50                                   | ,4970                  | ,4985                  | 1/2                    | 0,594          | 0,72           | 0,42           | 0,81           | 1,43           | 0,460          | 1,27           | 1,88           | ,5000/,5050             | 1160                               | 36800                          |
| QR1326.I50-400-T | 17-4 PH  | 4,00                                   | ,4970                  | ,4985                  | 1/2                    | 0,594          | 0,72           | 0,42           | 0,81           | 1,43           | 0,460          | 1,27           | 1,88           | ,5000/,5050             | 1160                               | 36800                          |
| QR1326.I50-450-T | 17-4 PH  | 4,50                                   | ,4970                  | ,4985                  | 1/2                    | 0,594          | 0,72           | 0,42           | 0,81           | 1,43           | 0,460          | 1,27           | 1,88           | ,5000/,5050             | 1160                               | 36800                          |
| QR1326.I50-500-T | 17-4 PH  | 5,00                                   | ,4970                  | ,4985                  | 1/2                    | 0,594          | 0,72           | 0,42           | 0,81           | 1,43           | 0,460          | 1,27           | 1,88           | ,5000/,5050             | 1160                               | 36800                          |
| QR1326.I50-550-T | 17-4 PH  | 5,50                                   | ,4970                  | ,4985                  | 1/2                    | 0,594          | 0,72           | 0,42           | 0,81           | 1,43           | 0,460          | 1,27           | 1,88           | ,5000/,5050             | 1160                               | 36800                          |
| QR1326.I50-600-T | 17-4 PH  | 6,00                                   | ,4970                  | ,4985                  | 1/2                    | 0,594          | 0,72           | 0,42           | 0,81           | 1,43           | 0,460          | 1,27           | 1,88           | ,5000/,5050             | 1160                               | 36800                          |
| QR1326.I62-150-T | 17-4 PH  | 1,50                                   | ,6220                  | ,6235                  | 5/8                    | 0,750          | 0,94           | 0,54           | 1,06           | 1,72           | 0,580          | 1,65           | 2,57           | ,6250/,6300             | 2070                               | 57500                          |
| QR1326.I62-175-T | 17-4 PH  | 1,75                                   | ,6220                  | ,6235                  | 5/8                    | 0,750          | 0,94           | 0,54           | 1,06           | 1,72           | 0,580          | 1,65           | 2,57           | ,6250/,6300             | 2070                               | 57500                          |
| QR1326.I62-200-T | 17-4 PH  | 2,00                                   | ,6220                  | ,6235                  | 5/8                    | 0,750          | 0,94           | 0,54           | 1,06           | 1,72           | 0,580          | 1,65           | 2,57           | ,6250/,6300             | 2070                               | 57500                          |
| QR1326.I62-250-T | 17-4 PH  | 2,50                                   | ,6220                  | ,6235                  | 5/8                    | 0,750          | 0,94           | 0,54           | 1,06           | 1,72           | 0,580          | 1,65           | 2,57           | ,6250/,6300             | 2070                               | 57500                          |
| QR1326.I62-300-T | 17-4 PH  | 3,00                                   | ,6220                  | ,6235                  | 5/8                    | 0,750          | 0,94           | 0,54           | 1,06           | 1,72           | 0,580          | 1,65           | 2,57           | ,6250/,6300             | 2070                               | 57500                          |
| QR1326.I62-350-T | 17-4 PH  | 3,50                                   | ,6220                  | ,6235                  | 5/8                    | 0,750          | 0,94           | 0,54           | 1,06           | 1,72           | 0,580          | 1,65           | 2,57           | ,6250/,6300             | 2070                               | 57500                          |
| QR1326.I62-400-T | 17-4 PH  | 4,00                                   | ,6220                  | ,6235                  | 5/8                    | 0,750          | 0,94           | 0,54           | 1,06           | 1,72           | 0,580          | 1,65           | 2,57           | ,6250/,6300             | 2070                               | 57500                          |
| QR1326.I62-450-T | 17-4 PH  | 4,50                                   | ,6220                  | ,6235                  | 5/8                    | 0,750          | 0,94           | 0,54           | 1,06           | 1,72           | 0,580          | 1,65           | 2,57           | ,6250/,6300             | 2070                               | 57500                          |
| QR1326.I62-500-T | 17-4 PH  | 5,00                                   | ,6220                  | ,6235                  | 5/8                    | 0,750          | 0,94           | 0,54           | 1,06           | 1,72           | 0,580          | 1,65           | 2,57           | ,6250/,6300             | 2070                               | 57500                          |
| QR1326.I62-550-T | 17-4 PH  | 5,50                                   | ,6220                  | ,6235                  | 5/8                    | 0,750          | 0,94           | 0,54           | 1,06           | 1,72           | 0,580          | 1,65           | 2,57           | ,6250/,6300             | 2070                               | 57500                          |
| QR1326.I62-600-T | 17-4 PH  | 6,00                                   | ,6220                  | ,6235                  | 5/8                    | 0,750          | 0,94           | 0,54           | 1,06           | 1,72           | 0,580          | 1,65           | 2,57           | ,6250/,6300             | 2070                               | 57500                          |