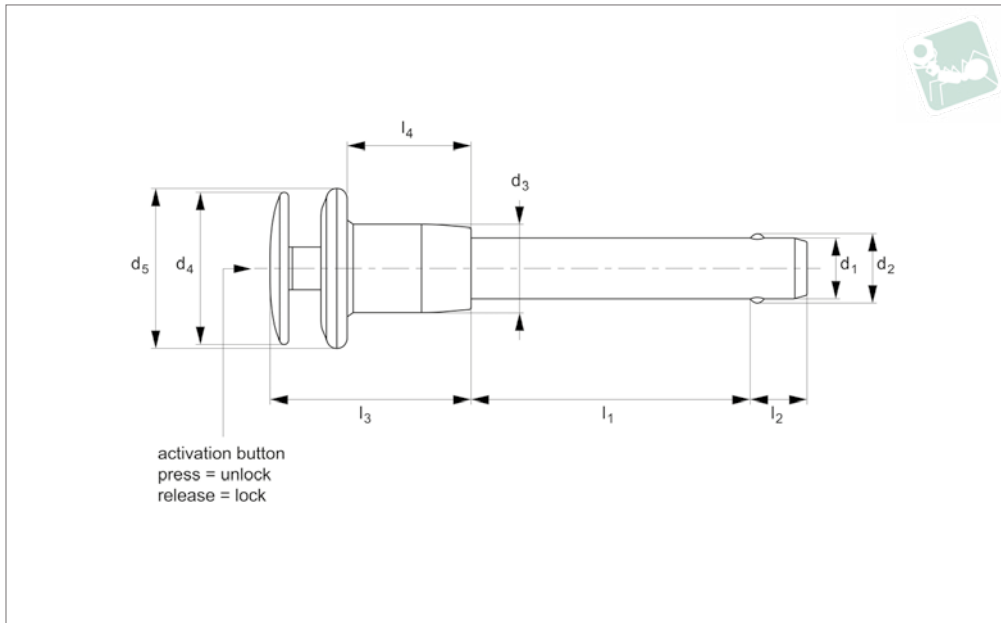




Quick Release Pins - Inch - Dome

precipitation hardened stainless pin

Quick Release Pins



QR1526

QUICK RELEASE PINS

Material

Pin: stainless steel 17-4PH (DIN 1.4542, AISI 630), precipitation hardened, passivated. Tensile strength 1,300 N/mm² min. HRC 40. RoHS compliant.
Handle: Alu. 2024-T4 (DIN AlCuMg2), black anodised (RAL 9003).
Actuator button: Alu. 2024-T4 (DIN AlCuMg2), anodised blue or clear.
Internal spindle, balls; from stainless

steel.

Technical Notes

Pressing = unlocking.
Releasing = locking.
Temperature range -30°C to +150°C
Use of split ring on this model is not advised, as may interfere with operation of activation button. Locating hole for attachment of wire lanyard is present to

enable securing of quick release pin to assembly.

Tips

For quick fastening and locking frequently repeated connections.
For lanyards & retaining cables see part nos. L to LA1224. For easy install locating bushes and end caps see part nos. LA1260 to LA1355.

Order No.	d ₁ max.	d ₁ min.	d ₁ nom.	l ₁ grip +0.02 -0.00	Material	d ₂ ±0.005	d ₃	d ₄	d ₅	+0.000 -0.030	l ₃	l ₄	Loc'n hole min. max.
QR1526.118-050-T	,1885	,1870	3/16	0.50	17-4 PH	0.220	0.47	0.75	0.81	0.260	1.00	0.63	,1900/,1940
QR1526.118-075-T	,1885	,1870	3/16	0.75	17-4 PH	0.220	0.47	0.75	0.81	0.260	1.00	0.63	,1900/,1940
QR1526.118-100-T	,1885	,1870	3/16	1.00	17-4 PH	0.220	0.47	0.75	0.81	0.260	1.00	0.63	,1900/,1940
QR1526.118-125-T	,1885	,1870	3/16	1.25	17-4 PH	0.220	0.47	0.75	0.81	0.260	1.00	0.63	,1900/,1940
QR1526.118-150-T	,1885	,1870	3/16	1.50	17-4 PH	0.220	0.47	0.75	0.81	0.260	1.00	0.63	,1900/,1940
QR1526.118-175-T	,1885	,1870	3/16	1.75	17-4 PH	0.220	0.47	0.75	0.81	0.260	1.00	0.63	,1900/,1940
QR1526.118-200-T	,1885	,1870	3/16	2.00	17-4 PH	0.220	0.47	0.75	0.81	0.260	1.00	0.63	,1900/,1940
QR1526.118-250-T	,1885	,1870	3/16	2.50	17-4 PH	0.220	0.47	0.75	0.81	0.260	1.00	0.63	,1900/,1940
QR1526.118-300-T	,1885	,1870	3/16	3.00	17-4 PH	0.220	0.47	0.75	0.81	0.260	1.00	0.63	,1900/,1940
QR1526.118-350-T	,1885	,1870	3/16	3.50	17-4 PH	0.220	0.47	0.75	0.81	0.260	1.00	0.63	,1900/,1940
QR1526.118-400-T	,1885	,1870	3/16	4.00	17-4 PH	0.220	0.47	0.75	0.81	0.260	1.00	0.63	,1900/,1940
QR1526.125-050-T	,2485	,2470	1/4	0.50	17-4 PH	0.289	0.47	0.75	0.81	0.290	1.00	0.63	,2500/,2540
QR1526.125-075-T	,2485	,2470	1/4	0.75	17-4 PH	0.289	0.47	0.75	0.81	0.290	1.00	0.63	,2500/,2540
QR1526.125-100-T	,2485	,2470	1/4	1.00	17-4 PH	0.289	0.47	0.75	0.81	0.290	1.00	0.63	,2500/,2540
QR1526.125-125-T	,2485	,2470	1/4	1.25	17-4 PH	0.289	0.47	0.75	0.81	0.290	1.00	0.63	,2500/,2540
QR1526.125-150-T	,2485	,2470	1/4	1.50	17-4 PH	0.289	0.47	0.75	0.81	0.290	1.00	0.63	,2500/,2540
QR1526.125-175-T	,2485	,2470	1/4	1.75	17-4 PH	0.289	0.47	0.75	0.81	0.290	1.00	0.63	,2500/,2540
QR1526.125-200-T	,2485	,2470	1/4	2.00	17-4 PH	0.289	0.47	0.75	0.81	0.290	1.00	0.63	,2500/,2540
QR1526.125-250-T	,2485	,2470	1/4	2.50	17-4 PH	0.289	0.47	0.75	0.81	0.290	1.00	0.63	,2500/,2540
QR1526.125-300-T	,2485	,2470	1/4	3.00	17-4 PH	0.289	0.47	0.75	0.81	0.290	1.00	0.63	,2500/,2540
QR1526.125-350-T	,2485	,2470	1/4	3.50	17-4 PH	0.289	0.47	0.75	0.81	0.290	1.00	0.63	,2500/,2540
QR1526.125-400-T	,2485	,2470	1/4	4.00	17-4 PH	0.289	0.47	0.75	0.81	0.290	1.00	0.63	,2500/,2540
QR1526.131-050-T	,3110	,3095	5/16	0.50	17-4 PH	0.375	0.47	0.75	0.81	0.330	1.00	0.63	,3125/,3165
QR1526.131-075-T	,3110	,3095	5/16	0.75	17-4 PH	0.375	0.47	0.75	0.81	0.330	1.00	0.63	,3125/,3165
QR1526.131-100-T	,3110	,3095	5/16	1.00	17-4 PH	0.375	0.47	0.75	0.81	0.330	1.00	0.63	,3125/,3165
QR1526.131-125-T	,3110	,3095	5/16	1.25	17-4 PH	0.375	0.47	0.75	0.81	0.330	1.00	0.63	,3125/,3165
QR1526.131-150-T	,3110	,3095	5/16	1.50	17-4 PH	0.375	0.47	0.75	0.81	0.330	1.00	0.63	,3125/,3165

Quick Release Pins

Quick Release Pins - Inch - Dome precipitation hardened stainless pin



QUICK RELEASE PINS

Order No.	d ₁ max.	d ₁ min.	d ₁ nom.	l ₁ grip +0.02 -0.00	Material	d ₂ ±0.005	d ₃	d ₄	d ₅	l ₂ +0.000 -0.030	l ₃	l ₄	Loc'n hole min. max.
QR1526.I31-175-T	,3110	,3095	5/16	1.75	17-4 PH	0.375	0.47	0.75	0.81	0.330	1.00	0.63	,3125/,3165
QR1526.I31-200-T	,3110	,3095	5/16	2.00	17-4 PH	0.375	0.47	0.75	0.81	0.330	1.00	0.63	,3125/,3165
QR1526.I31-250-T	,3110	,3095	5/16	2.50	17-4 PH	0.375	0.47	0.75	0.81	0.330	1.00	0.63	,3125/,3165
QR1526.I31-300-T	,3110	,3095	5/16	3.00	17-4 PH	0.375	0.47	0.75	0.81	0.330	1.00	0.63	,3125/,3165
QR1526.I31-350-T	,3110	,3095	5/16	3.50	17-4 PH	0.375	0.47	0.75	0.81	0.330	1.00	0.63	,3125/,3165
QR1526.I31-400-T	,3110	,3095	5/16	4.00	17-4 PH	0.375	0.47	0.75	0.81	0.330	1.00	0.63	,3125/,3165
QR1526.I37-050-T	,3735	,3720	3/8	0.50	17-4 PH	0.440	0.56	0.93	1.00	0.365	1.12	0.70	,3750/,3790
QR1526.I37-075-T	,3735	,3720	3/8	0.75	17-4 PH	0.440	0.56	0.93	1.00	0.365	1.12	0.70	,3750/,3790
QR1526.I37-100-T	,3735	,3720	3/8	1.00	17-4 PH	0.440	0.56	0.93	1.00	0.365	1.12	0.70	,3750/,3790
QR1526.I37-125-T	,3735	,3720	3/8	1.25	17-4 PH	0.440	0.56	0.93	1.00	0.365	1.12	0.70	,3750/,3790
QR1526.I37-150-T	,3735	,3720	3/8	1.50	17-4 PH	0.440	0.56	0.93	1.00	0.365	1.12	0.70	,3750/,3790
QR1526.I37-175-T	,3735	,3720	3/8	1.75	17-4 PH	0.440	0.56	0.93	1.00	0.365	1.12	0.70	,3750/,3790
QR1526.I37-200-T	,3735	,3720	3/8	2.00	17-4 PH	0.440	0.56	0.93	1.00	0.365	1.12	0.70	,3750/,3790
QR1526.I37-250-T	,3735	,3720	3/8	2.50	17-4 PH	0.440	0.56	0.93	1.00	0.365	1.12	0.70	,3750/,3790
QR1526.I37-300-T	,3735	,3720	3/8	3.00	17-4 PH	0.440	0.56	0.93	1.00	0.365	1.12	0.70	,3750/,3790
QR1526.I37-350-T	,3735	,3720	3/8	3.50	17-4 PH	0.440	0.56	0.93	1.00	0.365	1.12	0.70	,3750/,3790
QR1526.I37-400-T	,3735	,3720	3/8	4.00	17-4 PH	0.440	0.56	0.93	1.00	0.365	1.12	0.70	,3750/,3790
QR1526.I50-100-T	,4985	,4970	1/2	1.00	17-4 PH	0.594	0.72	1.30	1.37	0.460	1.41	0.85	,5000/,5050
QR1526.I50-125-T	,4985	,4970	1/2	1.25	17-4 PH	0.594	0.72	1.30	1.37	0.460	1.41	0.85	,5000/,5050
QR1526.I50-150-T	,4985	,4970	1/2	1.50	17-4 PH	0.594	0.72	1.30	1.37	0.460	1.41	0.85	,5000/,5050
QR1526.I50-175-T	,4985	,4970	1/2	1.75	17-4 PH	0.594	0.72	1.30	1.37	0.460	1.41	0.85	,5000/,5050
QR1526.I50-200-T	,4985	,4970	1/2	2.00	17-4 PH	0.594	0.72	1.30	1.37	0.460	1.41	0.85	,5000/,5050
QR1526.I50-250-T	,4985	,4970	1/2	2.50	17-4 PH	0.594	0.72	1.30	1.37	0.460	1.41	0.85	,5000/,5050
QR1526.I50-300-T	,4985	,4970	1/2	3.00	17-4 PH	0.594	0.72	1.30	1.37	0.460	1.41	0.85	,5000/,5050
QR1526.I50-350-T	,4985	,4970	1/2	3.50	17-4 PH	0.594	0.72	1.30	1.37	0.460	1.41	0.85	,5000/,5050
QR1526.I50-400-T	,4985	,4970	1/2	4.00	17-4 PH	0.594	0.72	1.30	1.37	0.460	1.41	0.85	,5000/,5050
QR1526.I50-450-T	,4985	,4970	1/2	4.50	17-4 PH	0.594	0.72	1.30	1.37	0.460	1.41	0.85	,5000/,5050
QR1526.I50-500-T	,4985	,4970	1/2	5.00	17-4 PH	0.594	0.72	1.30	1.37	0.460	1.41	0.85	,5000/,5050
QR1526.I50-550-T	,4985	,4970	1/2	5.50	17-4 PH	0.594	0.72	1.30	1.37	0.460	1.41	0.85	,5000/,5050
QR1526.I50-600-T	,4985	,4970	1/2	6.00	17-4 PH	0.594	0.72	1.30	1.37	0.460	1.41	0.85	,5000/,5050
QR1526.I62-150-T	,6235	,6220	5/8	1.50	17-4 PH	0.750	0.94	1.68	1.75	0.580	1.84	1.10	,6250/,6300
QR1526.I62-175-T	,6235	,6220	5/8	1.75	17-4 PH	0.750	0.94	1.68	1.75	0.580	1.84	1.10	,6250/,6300
QR1526.I62-200-T	,6235	,6220	5/8	2.00	17-4 PH	0.750	0.94	1.68	1.75	0.580	1.84	1.10	,6250/,6300
QR1526.I62-250-T	,6235	,6220	5/8	2.50	17-4 PH	0.750	0.94	1.68	1.75	0.580	1.84	1.10	,6250/,6300
QR1526.I62-300-T	,6235	,6220	5/8	3.00	17-4 PH	0.750	0.94	1.68	1.75	0.580	1.84	1.10	,6250/,6300
QR1526.I62-350-T	,6235	,6220	5/8	3.50	17-4 PH	0.750	0.94	1.68	1.75	0.580	1.84	1.10	,6250/,6300
QR1526.I62-400-T	,6235	,6220	5/8	4.00	17-4 PH	0.750	0.94	1.68	1.75	0.580	1.84	1.10	,6250/,6300
QR1526.I62-450-T	,6235	,6220	5/8	4.50	17-4 PH	0.750	0.94	1.68	1.75	0.580	1.84	1.10	,6250/,6300
QR1526.I62-500-T	,6235	,6220	5/8	5.00	17-4 PH	0.750	0.94	1.68	1.75	0.580	1.84	1.10	,6250/,6300
QR1526.I62-550-T	,6235	,6220	5/8	5.50	17-4 PH	0.750	0.94	1.68	1.75	0.580	1.84	1.10	,6250/,6300
QR1526.I62-600-T	,6235	,6220	5/8	6.00	17-4 PH	0.750	0.94	1.68	1.75	0.580	1.84	1.10	,6250/,6300