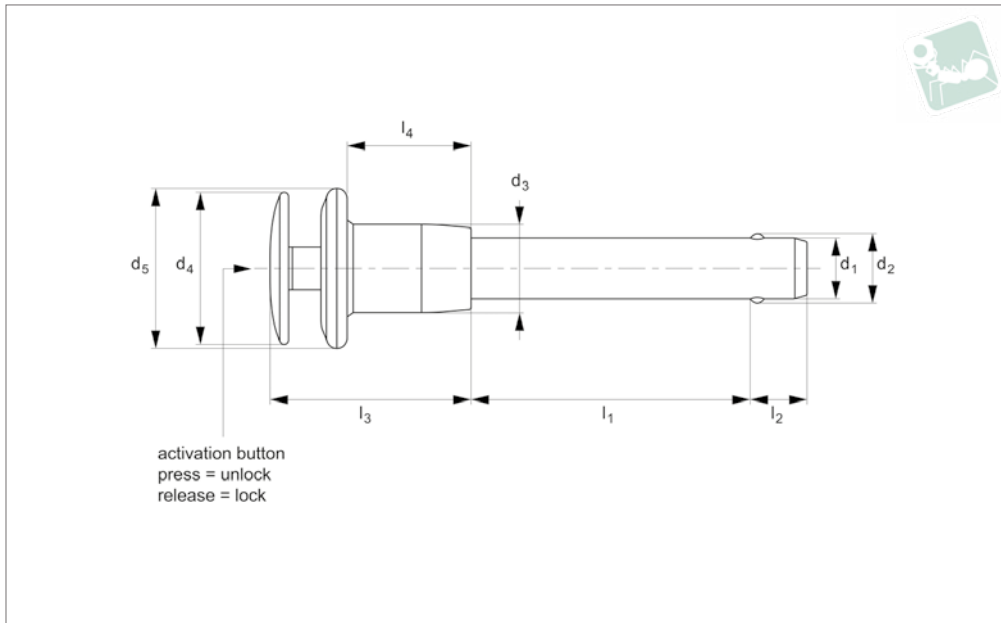




Quick Release Pins - Metric - Dome

precipitation hardened stainless pin - stainless

Quick Release Pins



QR1556

QUICK RELEASE PINS

Material

Pin: stainless steel 17-4PH (DIN 1.4542, AISI 630), precipitation hardened, passivated. Tensile strength 1,300 N/mm² min. HRC 40. RoHS compliant.
Handle: stainless steel, AISI 303 (DIN 1.4305), passivated.
Actuator button: stainless steel, AISI 303 (DIN 1.4305), passivated.
Internal spindle, balls; from stainless

steel.

Technical Notes

Pressing = unlocking.
Releasing = locking.
Temperature range -30°C to +150°C
Use of split ring on this model is not advised, as may interfere with operation of activation button. Locating hole for attachment of wire lanyard is present to

enable securing of quick release pin to assembly.

Tips

For quick fastening and locking frequently repeated connections.
For lanyards & retaining cables see part nos. L to LA1224. For easy install locating bushes and end caps see part nos. LA1260 to LA1355.

| Order No. | d ₁ min. | d ₁ max. | d ₁ nom. | l ₁ grip +0.50 -0.00 | Material | d ₂ ±0.25 | d ₃ | d ₄ | d ₅ | l ₂ ±1.00 | l ₃ | l ₄ | Loc'n hole min. max. | Pull out strength kN min. | Calc. double shear kN |
|------------------|------------------------|------------------------|------------------------|--|----------|-------------------------|----------------|----------------|----------------|-------------------------|----------------|----------------|---------------------------|------------------------------------|--------------------------------|
| QR1556.M05-010-T | 4,92 | 4,96 | 5 | 10 | 17-4 PH | 5,54 | 11,9 | 19,0 | 20,6 | 6 | 25,5 | 16,0 | 5,0/5,1 | 0,89 | 24,40 |
| QR1556.M05-015-T | 4,92 | 4,96 | 5 | 15 | 17-4 PH | 5,54 | 11,9 | 19,0 | 20,6 | 6 | 25,5 | 16,0 | 5,0/5,1 | 0,89 | 24,40 |
| QR1556.M05-020-T | 4,92 | 4,96 | 5 | 20 | 17-4 PH | 5,54 | 11,9 | 19,0 | 20,6 | 6 | 25,5 | 16,0 | 5,0/5,1 | 0,89 | 24,40 |
| QR1556.M05-025-T | 4,92 | 4,96 | 5 | 25 | 17-4 PH | 5,54 | 11,9 | 19,0 | 20,6 | 6 | 25,5 | 16,0 | 5,0/5,1 | 0,89 | 24,40 |
| QR1556.M05-030-T | 4,92 | 4,96 | 5 | 30 | 17-4 PH | 5,54 | 11,9 | 19,0 | 20,6 | 6 | 25,5 | 16,0 | 5,0/5,1 | 0,89 | 24,40 |
| QR1556.M05-035-T | 4,92 | 4,96 | 5 | 35 | 17-4 PH | 5,54 | 11,9 | 19,0 | 20,6 | 6 | 25,5 | 16,0 | 5,0/5,1 | 0,89 | 24,40 |
| QR1556.M05-040-T | 4,92 | 4,96 | 5 | 40 | 17-4 PH | 5,54 | 11,9 | 19,0 | 20,6 | 6 | 25,5 | 16,0 | 5,0/5,1 | 0,89 | 24,40 |
| QR1556.M05-045-T | 4,92 | 4,96 | 5 | 45 | 17-4 PH | 5,54 | 11,9 | 19,0 | 20,6 | 6 | 25,5 | 16,0 | 5,0/5,1 | 0,89 | 24,40 |
| QR1556.M05-050-T | 4,92 | 4,96 | 5 | 50 | 17-4 PH | 5,54 | 11,9 | 19,0 | 20,6 | 6 | 25,5 | 16,0 | 5,0/5,1 | 0,89 | 24,40 |
| QR1556.M05-060-T | 4,92 | 4,96 | 5 | 60 | 17-4 PH | 5,54 | 11,9 | 19,0 | 20,6 | 6 | 25,5 | 16,0 | 5,0/5,1 | 0,89 | 24,40 |
| QR1556.M05-070-T | 4,92 | 4,96 | 5 | 70 | 17-4 PH | 5,54 | 11,9 | 19,0 | 20,6 | 6 | 25,5 | 16,0 | 5,0/5,1 | 0,89 | 24,40 |
| QR1556.M05-080-T | 4,92 | 4,96 | 5 | 80 | 17-4 PH | 5,54 | 11,9 | 19,0 | 20,6 | 6 | 25,5 | 16,0 | 5,0/5,1 | 0,89 | 24,40 |
| QR1556.M05-090-T | 4,92 | 4,96 | 5 | 90 | 17-4 PH | 5,54 | 11,9 | 19,0 | 20,6 | 6 | 25,5 | 16,0 | 5,0/5,1 | 0,89 | 24,40 |
| QR1556.M05-100-T | 4,92 | 4,96 | 5 | 100 | 17-4 PH | 5,54 | 11,9 | 19,0 | 20,6 | 6 | 25,5 | 16,0 | 5,0/5,1 | 0,89 | 24,40 |
| QR1556.M06-010-T | 5,92 | 5,96 | 6 | 10 | 17-4 PH | 6,99 | 11,9 | 19,0 | 20,6 | 7 | 25,5 | 16,0 | 6,0/6,1 | 1,02 | 35,64 |
| QR1556.M06-015-T | 5,92 | 5,96 | 6 | 15 | 17-4 PH | 6,99 | 11,9 | 19,0 | 20,6 | 7 | 25,5 | 16,0 | 6,0/6,1 | 1,02 | 35,64 |
| QR1556.M06-020-T | 5,92 | 5,96 | 6 | 20 | 17-4 PH | 6,99 | 11,9 | 19,0 | 20,6 | 7 | 25,5 | 16,0 | 6,0/6,1 | 1,02 | 35,64 |
| QR1556.M06-025-T | 5,92 | 5,96 | 6 | 25 | 17-4 PH | 6,99 | 11,9 | 19,0 | 20,6 | 7 | 25,5 | 16,0 | 6,0/6,1 | 1,02 | 35,64 |
| QR1556.M06-030-T | 5,92 | 5,96 | 6 | 30 | 17-4 PH | 6,99 | 11,9 | 19,0 | 20,6 | 7 | 25,5 | 16,0 | 6,0/6,1 | 1,02 | 35,64 |
| QR1556.M06-035-T | 5,92 | 5,96 | 6 | 35 | 17-4 PH | 6,99 | 11,9 | 19,0 | 20,6 | 7 | 25,5 | 16,0 | 6,0/6,1 | 1,02 | 35,64 |
| QR1556.M06-040-T | 5,92 | 5,96 | 6 | 40 | 17-4 PH | 6,99 | 11,9 | 19,0 | 20,6 | 7 | 25,5 | 16,0 | 6,0/6,1 | 1,02 | 35,64 |
| QR1556.M06-045-T | 5,92 | 5,96 | 6 | 45 | 17-4 PH | 6,99 | 11,9 | 19,0 | 20,6 | 7 | 25,5 | 16,0 | 6,0/6,1 | 1,02 | 35,64 |
| QR1556.M06-050-T | 5,92 | 5,96 | 6 | 50 | 17-4 PH | 6,99 | 11,9 | 19,0 | 20,6 | 7 | 25,5 | 16,0 | 6,0/6,1 | 1,02 | 35,64 |
| QR1556.M06-060-T | 5,92 | 5,96 | 6 | 60 | 17-4 PH | 6,99 | 11,9 | 19,0 | 20,6 | 7 | 25,5 | 16,0 | 6,0/6,1 | 1,02 | 35,64 |
| QR1556.M06-070-T | 5,92 | 5,96 | 6 | 70 | 17-4 PH | 6,99 | 11,9 | 19,0 | 20,6 | 7 | 25,5 | 16,0 | 6,0/6,1 | 1,02 | 35,64 |

Quick Release Pins

Quick Release Pins - Metric - Dome

precipitation hardened stainless pin - stainless



QUICK RELEASE PINS

| Order No. | d ₁ min. | d ₁ max. | d ₁ nom. | l ₁ grip +0.50 -0.00 | Material | d ₂ ±0.25 | d ₃ | d ₄ | d ₅ | l ₂ ±1.00 | l ₃ | l ₄ | Loc'n hole min. max. | Pull out strength kN min. | Calc. double shear kN |
|------------------|------------------------|------------------------|------------------------|--|----------|-------------------------|----------------|----------------|----------------|-------------------------|----------------|----------------|---------------------------|------------------------------------|--------------------------------|
| QR1556.M06-080-T | 5,92 | 5,96 | 6 | 80 | 17-4 PH | 6,99 | 11,9 | 19,0 | 20,6 | 7 | 25,5 | 16,0 | 6,0/6,1 | 1,02 | 35,64 |
| QR1556.M06-090-T | 5,92 | 5,96 | 6 | 90 | 17-4 PH | 6,99 | 11,9 | 19,0 | 20,6 | 7 | 25,5 | 16,0 | 6,0/6,1 | 1,02 | 35,64 |
| QR1556.M06-100-T | 5,92 | 5,96 | 6 | 100 | 17-4 PH | 6,99 | 11,9 | 19,0 | 20,6 | 7 | 25,5 | 16,0 | 6,0/6,1 | 1,02 | 35,64 |
| QR1556.M08-010-T | 7,92 | 7,96 | 8 | 10 | 17-4 PH | 9,42 | 11,9 | 19,0 | 20,6 | 8 | 25,5 | 16,0 | 8,0/8,1 | 2,30 | 63,80 |
| QR1556.M08-015-T | 7,92 | 7,96 | 8 | 15 | 17-4 PH | 9,42 | 11,9 | 19,0 | 20,6 | 8 | 25,5 | 16,0 | 8,0/8,1 | 2,30 | 63,80 |
| QR1556.M08-020-T | 7,92 | 7,96 | 8 | 20 | 17-4 PH | 9,42 | 11,9 | 19,0 | 20,6 | 8 | 25,5 | 16,0 | 8,0/8,1 | 2,30 | 63,80 |
| QR1556.M08-025-T | 7,92 | 7,96 | 8 | 25 | 17-4 PH | 9,42 | 11,9 | 19,0 | 20,6 | 8 | 25,5 | 16,0 | 8,0/8,1 | 2,30 | 63,80 |
| QR1556.M08-030-T | 7,92 | 7,96 | 8 | 30 | 17-4 PH | 9,42 | 11,9 | 19,0 | 20,6 | 8 | 25,5 | 16,0 | 8,0/8,1 | 2,30 | 63,80 |
| QR1556.M08-035-T | 7,92 | 7,96 | 8 | 35 | 17-4 PH | 9,42 | 11,9 | 19,0 | 20,6 | 8 | 25,5 | 16,0 | 8,0/8,1 | 2,30 | 63,80 |
| QR1556.M08-040-T | 7,92 | 7,96 | 8 | 40 | 17-4 PH | 9,42 | 11,9 | 19,0 | 20,6 | 8 | 25,5 | 16,0 | 8,0/8,1 | 2,30 | 63,80 |
| QR1556.M08-045-T | 7,92 | 7,96 | 8 | 45 | 17-4 PH | 9,42 | 11,9 | 19,0 | 20,6 | 8 | 25,5 | 16,0 | 8,0/8,1 | 2,30 | 63,80 |
| QR1556.M08-050-T | 7,92 | 7,96 | 8 | 50 | 17-4 PH | 9,42 | 11,9 | 19,0 | 20,6 | 8 | 25,5 | 16,0 | 8,0/8,1 | 2,30 | 63,80 |
| QR1556.M08-060-T | 7,92 | 7,96 | 8 | 60 | 17-4 PH | 9,42 | 11,9 | 19,0 | 20,6 | 8 | 25,5 | 16,0 | 8,0/8,1 | 2,30 | 63,80 |
| QR1556.M08-070-T | 7,92 | 7,96 | 8 | 70 | 17-4 PH | 9,42 | 11,9 | 19,0 | 20,6 | 8 | 25,5 | 16,0 | 8,0/8,1 | 2,30 | 63,80 |
| QR1556.M08-080-T | 7,92 | 7,96 | 8 | 80 | 17-4 PH | 9,42 | 11,9 | 19,0 | 20,6 | 8 | 25,5 | 16,0 | 8,0/8,1 | 2,30 | 63,80 |
| QR1556.M08-090-T | 7,92 | 7,96 | 8 | 90 | 17-4 PH | 9,42 | 11,9 | 19,0 | 20,6 | 8 | 25,5 | 16,0 | 8,0/8,1 | 2,30 | 63,80 |
| QR1556.M08-100-T | 7,92 | 7,96 | 8 | 100 | 17-4 PH | 9,42 | 11,9 | 19,0 | 20,6 | 8 | 25,5 | 16,0 | 8,0/8,1 | 2,30 | 63,80 |
| QR1556.M10-015-T | 9,92 | 9,92 | 10 | 15 | 17-4 PH | 11,86 | 14,2 | 23,6 | 25,4 | 9 | 28,4 | 17,8 | 10,0/10,1 | 2,56 | 100,10 |
| QR1556.M10-020-T | 9,92 | 9,96 | 10 | 20 | 17-4 PH | 11,86 | 14,2 | 23,6 | 25,4 | 9 | 28,4 | 17,8 | 10,0/10,1 | 2,56 | 100,10 |
| QR1556.M10-025-T | 9,92 | 9,96 | 10 | 25 | 17-4 PH | 11,86 | 14,2 | 23,6 | 25,4 | 9 | 28,4 | 17,8 | 10,0/10,1 | 2,56 | 100,10 |
| QR1556.M10-030-T | 9,92 | 9,96 | 10 | 30 | 17-4 PH | 11,86 | 14,2 | 23,6 | 25,4 | 9 | 28,4 | 17,8 | 10,0/10,1 | 2,56 | 100,10 |
| QR1556.M10-035-T | 9,92 | 9,96 | 10 | 35 | 17-4 PH | 11,86 | 14,2 | 23,6 | 25,4 | 9 | 28,4 | 17,8 | 10,0/10,1 | 2,56 | 100,10 |
| QR1556.M10-040-T | 9,92 | 9,96 | 10 | 40 | 17-4 PH | 11,86 | 14,2 | 23,6 | 25,4 | 9 | 28,4 | 17,8 | 10,0/10,1 | 2,56 | 100,10 |
| QR1556.M10-045-T | 9,92 | 9,96 | 10 | 45 | 17-4 PH | 11,86 | 14,2 | 23,6 | 25,4 | 9 | 28,4 | 17,8 | 10,0/10,1 | 2,56 | 100,10 |
| QR1556.M10-050-T | 9,92 | 9,96 | 10 | 50 | 17-4 PH | 11,86 | 14,2 | 23,6 | 25,4 | 9 | 28,4 | 17,8 | 10,0/10,1 | 2,56 | 100,10 |
| QR1556.M10-060-T | 9,92 | 9,96 | 10 | 60 | 17-4 PH | 11,86 | 14,2 | 23,6 | 25,4 | 9 | 28,4 | 17,8 | 10,0/10,1 | 2,56 | 100,10 |
| QR1556.M10-070-T | 9,92 | 9,96 | 10 | 70 | 17-4 PH | 11,86 | 14,2 | 23,6 | 25,4 | 9 | 28,4 | 17,8 | 10,0/10,1 | 2,56 | 100,10 |
| QR1556.M10-080-T | 9,92 | 9,96 | 10 | 80 | 17-4 PH | 11,86 | 14,2 | 23,6 | 25,4 | 9 | 28,4 | 17,8 | 10,0/10,1 | 2,56 | 100,10 |
| QR1556.M10-090-T | 9,92 | 9,96 | 10 | 90 | 17-4 PH | 11,86 | 14,2 | 23,6 | 25,4 | 9 | 28,4 | 17,8 | 10,0/10,1 | 2,56 | 100,10 |
| QR1556.M10-100-T | 9,92 | 9,96 | 10 | 100 | 17-4 PH | 11,86 | 14,2 | 23,6 | 25,4 | 9 | 28,4 | 17,8 | 10,0/10,1 | 2,56 | 100,10 |
| QR1556.M12-020-T | 11,92 | 11,96 | 12 | 20 | 17-4 PH | 14,45 | 18,3 | 33,0 | 34,7 | 10 | 35,9 | 21,6 | 12,0/12,1 | 5,16 | 144,06 |
| QR1556.M12-025-T | 11,92 | 11,96 | 12 | 25 | 17-4 PH | 14,45 | 18,3 | 33,0 | 34,7 | 10 | 35,9 | 21,6 | 12,0/12,1 | 5,16 | 144,06 |
| QR1556.M12-030-T | 11,92 | 11,96 | 12 | 30 | 17-4 PH | 14,45 | 18,3 | 33,0 | 34,7 | 10 | 35,9 | 21,6 | 12,0/12,1 | 5,16 | 144,06 |
| QR1556.M12-035-T | 11,92 | 11,96 | 12 | 35 | 17-4 PH | 14,45 | 18,3 | 33,0 | 34,7 | 10 | 35,9 | 21,6 | 12,0/12,1 | 5,16 | 144,06 |
| QR1556.M12-040-T | 11,92 | 11,96 | 12 | 40 | 17-4 PH | 14,45 | 18,3 | 33,0 | 34,7 | 10 | 35,9 | 21,6 | 12,0/12,1 | 5,16 | 144,06 |
| QR1556.M12-045-T | 11,92 | 11,96 | 12 | 45 | 17-4 PH | 14,45 | 18,3 | 33,0 | 34,7 | 10 | 35,9 | 21,6 | 12,0/12,1 | 5,16 | 144,06 |
| QR1556.M12-050-T | 11,92 | 11,96 | 12 | 50 | 17-4 PH | 14,45 | 18,3 | 33,0 | 34,7 | 10 | 35,9 | 21,6 | 12,0/12,1 | 5,16 | 144,06 |
| QR1556.M12-060-T | 11,92 | 11,96 | 12 | 60 | 17-4 PH | 14,45 | 18,3 | 33,0 | 34,7 | 10 | 35,9 | 21,6 | 12,0/12,1 | 5,16 | 144,06 |
| QR1556.M12-070-T | 11,92 | 11,96 | 12 | 70 | 17-4 PH | 14,45 | 18,3 | 33,0 | 34,7 | 10 | 35,9 | 21,6 | 12,0/12,1 | 5,16 | 144,06 |
| QR1556.M12-080-T | 11,92 | 11,96 | 12 | 80 | 17-4 PH | 14,45 | 18,3 | 33,0 | 34,7 | 10 | 35,9 | 21,6 | 12,0/12,1 | 5,16 | 144,06 |
| QR1556.M12-090-T | 11,92 | 11,96 | 12 | 90 | 17-4 PH | 14,45 | 18,3 | 33,0 | 34,7 | 10 | 35,9 | 21,6 | 12,0/12,1 | 5,16 | 144,06 |
| QR1556.M12-100-T | 11,92 | 11,96 | 12 | 100 | 17-4 PH | 14,45 | 18,3 | 33,0 | 34,7 | 10 | 35,9 | 21,6 | 12,0/12,1 | 5,16 | 144,06 |