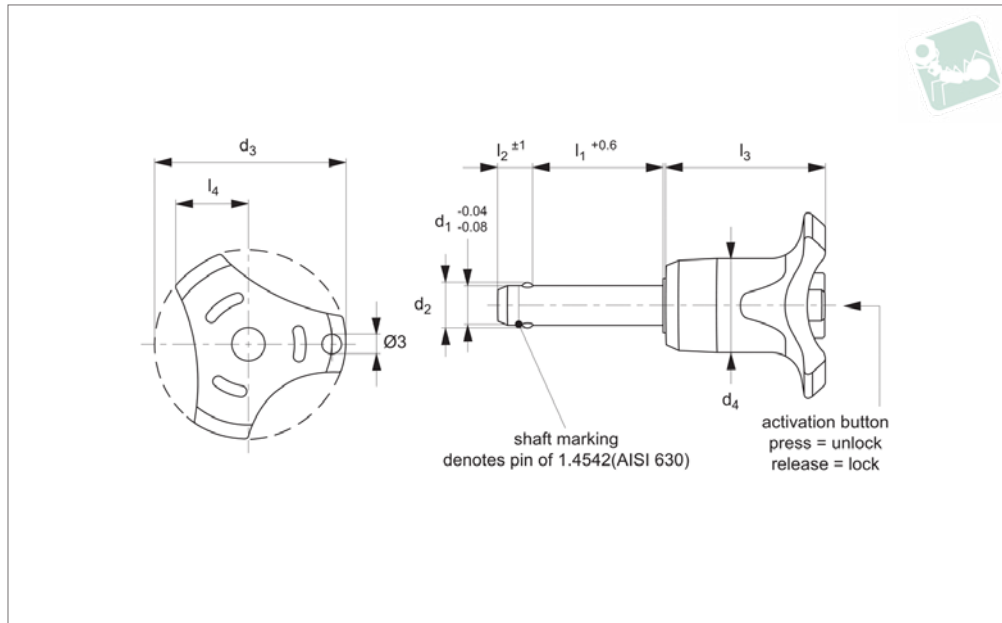




# Ball Lock Pins - Single Acting - Blue

self-locking - stainless steel 1.4542 (AISI 630)

# Quick Release Pins



## QR1726

QUICK RELEASE PINS

### Material

Pin: stainless steel 1,4542 (AISI 630), precipitation hardened, blast finish. (marked at end of shaft to denote 1.4542 material).

Ball: stainless steel 1.3541

Spring: stainless steel.

Handle: thermoplastic PA 6.

Available colours: grey/orange, grey/blue, grey/grey, black/black.

### Technical Notes

Pressing = unlocking.

Releasing = locking.

Temperature resistance -30°C to +80°C.

For quick fastening and locking of frequently repeated connections.

### Tips

For lanyards & retaining cables see part no.LA1066. Easy install locating bushes

available see part no.LA1310.

### Important Notes

**Extreme load capacity due to high material grade.**

\*Shearing resistance similar to DIN 50141.

Also available in stainless grade 1.4305 (AISI 303), see part no.33080.

| Order No.        | d <sub>1</sub> | l <sub>1</sub> | d <sub>2</sub> | d <sub>3</sub> | d <sub>4</sub> | l <sub>2</sub> | l <sub>3</sub> | l <sub>4</sub> | Loc'n hole tol. H11 | Shearing resistance, double kN min. | Weight g |
|------------------|----------------|----------------|----------------|----------------|----------------|----------------|----------------|----------------|---------------------|-------------------------------------|----------|
| QR1726.M05-010-T | 5              | 10             | 5.5            | 33.2           | 14.5           | 6.0            | 26.7           | 10.8           | 5                   | 24                                  | 15       |
| QR1726.M05-015-T | 5              | 15             | 5.5            | 33.2           | 14.5           | 6.0            | 26.7           | 10.8           | 5                   | 24                                  | 15       |
| QR1726.M05-020-T | 5              | 20             | 5.5            | 33.2           | 14.5           | 6.0            | 26.7           | 10.8           | 5                   | 24                                  | 16       |
| QR1726.M05-025-T | 5              | 25             | 5.5            | 33.2           | 14.5           | 6.0            | 26.7           | 10.8           | 5                   | 24                                  | 17       |
| QR1726.M05-030-T | 5              | 30             | 5.5            | 33.2           | 14.5           | 6.0            | 26.7           | 10.8           | 5                   | 24                                  | 18       |
| QR1726.M06-010-T | 6              | 10             | 7.0            | 33.2           | 14.5           | 7.0            | 26.7           | 10.8           | 6                   | 35                                  | 16       |
| QR1726.M06-015-T | 6              | 15             | 7.0            | 33.2           | 14.5           | 7.0            | 26.7           | 10.8           | 6                   | 35                                  | 17       |
| QR1726.M06-020-T | 6              | 20             | 7.0            | 33.2           | 14.5           | 7.0            | 26.7           | 10.8           | 6                   | 35                                  | 18       |
| QR1726.M06-025-T | 6              | 25             | 7.0            | 33.2           | 14.5           | 7.0            | 26.7           | 10.8           | 6                   | 35                                  | 19       |
| QR1726.M06-030-T | 6              | 30             | 7.0            | 33.2           | 14.5           | 7.0            | 26.7           | 10.8           | 6                   | 35                                  | 20       |
| QR1726.M06-035-T | 6              | 35             | 7.0            | 33.2           | 14.5           | 7.0            | 26.7           | 10.8           | 6                   | 35                                  | 21       |
| QR1726.M06-040-T | 6              | 40             | 7.0            | 33.2           | 14.5           | 7.0            | 26.7           | 10.8           | 6                   | 35                                  | 22       |
| QR1726.M06-045-T | 6              | 45             | 7.0            | 33.2           | 14.5           | 7.0            | 26.7           | 10.8           | 6                   | 35                                  | 23       |
| QR1726.M06-050-T | 6              | 50             | 7.0            | 33.2           | 14.5           | 7.0            | 26.7           | 10.8           | 6                   | 35                                  | 24       |
| QR1726.M08-020-T | 8              | 20             | 9.6            | 39.2           | 19.3           | 8.2            | 33.3           | 13.4           | 8                   | 63                                  | 40       |
| QR1726.M08-025-T | 8              | 25             | 9.6            | 39.2           | 19.3           | 8.2            | 33.3           | 13.4           | 8                   | 63                                  | 42       |
| QR1726.M08-030-T | 8              | 30             | 9.6            | 39.2           | 19.3           | 8.2            | 33.3           | 13.4           | 8                   | 63                                  | 44       |
| QR1726.M08-035-T | 8              | 35             | 9.6            | 39.2           | 19.3           | 8.2            | 33.3           | 13.4           | 8                   | 63                                  | 46       |
| QR1726.M08-040-T | 8              | 40             | 9.6            | 39.2           | 19.3           | 8.2            | 33.3           | 13.4           | 8                   | 63                                  | 47       |
| QR1726.M08-045-T | 8              | 45             | 9.6            | 39.2           | 19.3           | 8.2            | 33.3           | 13.4           | 8                   | 63                                  | 49       |
| QR1726.M08-050-T | 8              | 50             | 9.6            | 39.2           | 18.4           | 8.2            | 33.3           | 13.4           | 8                   | 63                                  | 51       |
| QR1726.M10-020-T | 10             | 20             | 12.0           | 39.2           | 19.3           | 9.6            | 33.3           | 13.4           | 10                  | 100                                 | 47       |
| QR1726.M10-025-T | 10             | 25             | 12.0           | 39.2           | 19.3           | 9.6            | 33.3           | 13.4           | 10                  | 100                                 | 49       |
| QR1726.M10-030-T | 10             | 30             | 12.0           | 39.2           | 19.3           | 9.6            | 33.3           | 13.4           | 10                  | 100                                 | 53       |
| QR1726.M10-035-T | 10             | 35             | 12.0           | 39.2           | 19.3           | 9.6            | 33.3           | 13.4           | 10                  | 100                                 | 55       |
| QR1726.M10-040-T | 10             | 40             | 12.0           | 39.2           | 19.3           | 9.6            | 33.3           | 13.4           | 10                  | 100                                 | 58       |

# Quick Release Pins

## Ball Lock Pins - Single Acting - Blue

self-locking - stainless steel 1.4542 (AISI 630)



QUICK RELEASE PINS

| Order No.        | d <sub>1</sub> | l <sub>1</sub> | d <sub>2</sub> | d <sub>3</sub> | d <sub>4</sub> | l <sub>2</sub> | l <sub>3</sub> | l <sub>4</sub> | Loc'n hole tol. H11 | Shearing resistance, double kN min. | Weight g |
|------------------|----------------|----------------|----------------|----------------|----------------|----------------|----------------|----------------|---------------------|-------------------------------------|----------|
| QR1726.M10-045-T | 10             | 45             | 12.0           | 39.2           | 19.3           | 9.6            | 33.3           | 13.4           | 10                  | 100                                 | 61       |
| QR1726.M10-050-T | 10             | 50             | 12.0           | 39.2           | 19.3           | 9.6            | 33.3           | 13.4           | 10                  | 100                                 | 64       |
| QR1726.M10-060-T | 10             | 60             | 12.0           | 39.2           | 19.3           | 9.6            | 33.3           | 13.4           | 10                  | 100                                 | 70       |
| QR1726.M12-025-T | 12             | 25             | 14.5           | 47.6           | 26.3           | 10.6           | 39.7           | 16.7           | 12                  | 144                                 | 96       |
| QR1726.M12-030-T | 12             | 30             | 14.5           | 47.6           | 26.3           | 10.6           | 39.7           | 16.7           | 12                  | 144                                 | 100      |
| QR1726.M12-035-T | 12             | 35             | 14.5           | 47.6           | 26.3           | 10.6           | 39.7           | 16.7           | 12                  | 144                                 | 105      |
| QR1726.M12-040-T | 12             | 40             | 14.5           | 47.6           | 26.3           | 10.6           | 39.7           | 16.7           | 12                  | 144                                 | 109      |
| QR1726.M12-045-T | 12             | 45             | 14.5           | 47.6           | 26.3           | 10.6           | 39.7           | 16.7           | 12                  | 144                                 | 113      |
| QR1726.M12-050-T | 12             | 50             | 14.5           | 47.6           | 26.3           | 10.6           | 39.7           | 16.7           | 12                  | 144                                 | 117      |
| QR1726.M12-060-T | 12             | 60             | 14.5           | 47.6           | 26.3           | 10.6           | 39.7           | 16.7           | 12                  | 144                                 | 126      |
| QR1726.M12-070-T | 12             | 70             | 14.5           | 47.6           | 26.3           | 10.6           | 39.7           | 16.7           | 12                  | 144                                 | 134      |
| QR1726.M12-080-T | 12             | 80             | 14.5           | 47.6           | 26.3           | 10.6           | 39.7           | 16.7           | 12                  | 144                                 | 143      |
| QR1726.M16-030-T | 16             | 30             | 19.0           | 47.6           | 26.3           | 14.0           | 39.7           | 16.7           | 16                  | 257                                 | 132      |
| QR1726.M16-035-T | 16             | 35             | 19.0           | 47.6           | 26.3           | 14.0           | 39.7           | 16.7           | 16                  | 257                                 | 140      |
| QR1726.M16-040-T | 16             | 40             | 19.0           | 47.6           | 26.3           | 14.0           | 39.7           | 16.7           | 16                  | 257                                 | 148      |
| QR1726.M16-045-T | 16             | 45             | 19.0           | 47.6           | 26.3           | 14.0           | 39.7           | 16.7           | 16                  | 257                                 | 155      |
| QR1726.M16-050-T | 16             | 50             | 19.0           | 47.6           | 26.3           | 14.0           | 39.7           | 16.7           | 16                  | 257                                 | 168      |
| QR1726.M16-060-T | 16             | 60             | 19.0           | 47.6           | 26.3           | 14.0           | 39.7           | 16.7           | 16                  | 257                                 | 178      |
| QR1726.M16-070-T | 16             | 70             | 19.0           | 47.6           | 26.3           | 14.0           | 39.7           | 16.7           | 16                  | 257                                 | 194      |
| QR1726.M16-080-T | 16             | 80             | 19.0           | 47.6           | 26.3           | 14.0           | 39.7           | 16.7           | 16                  | 257                                 | 208      |
| QR1726.M20-060-T | 20             | 60             | 25.0           | 57.1           | 35.4           | 20.5           | 50.7           | 21.5           | 20                  | 403                                 | 343      |
| QR1726.M20-080-T | 20             | 80             | 25.0           | 57.1           | 35.4           | 20.5           | 50.7           | 21.5           | 20                  | 403                                 | 392      |
| QR1726.M20-100-T | 20             | 100            | 25.0           | 57.1           | 35.4           | 20.5           | 50.7           | 21.5           | 20                  | 403                                 | 440      |
| QR1726.M20-120-T | 20             | 120            | 25.0           | 57.1           | 33.8           | 20.5           | 50.7           | 21.5           | 20                  | 403                                 | 488      |





# Wixroyd Ball Lock Pins

applications

## 33060 - 33250

Positioning Elements



### Sound Rigging Systems

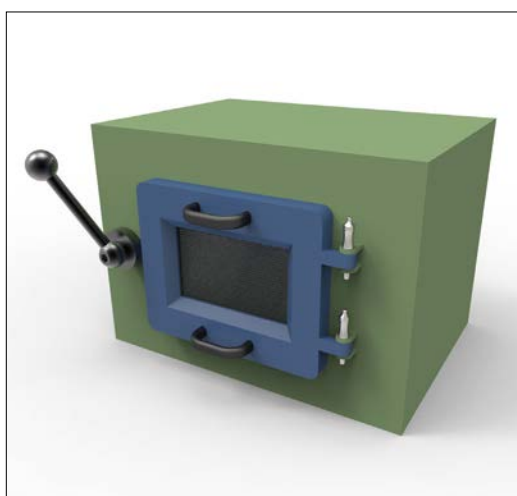
Ball lock pins on a sound rigging system. Offering secure fixing with high shear forces and easy fitting for operators at heights.

In addition full black powder coating of grip and actuation button eliminates glare from other stage lighting.

QUICK RELEASE PINS



### Gym Equipment



### Scientific and Medical

ov-W33060.BK-A-TOR1706-W33250-A-TLA1066-a-rmh - Updated - 27-10-2022



### Pin Material

1.4305 (AISI 303) - shear force approx. 60% of higher material version 1.4542

1.4542 (AISI 630) - identified by the ridge on the pin

CRES 17-4PH (AMS 5643) aviation standard



### Handle Style



Plastic tri-star



T-handled, metal



L-handled, metal



Mushroom, metal



Single piece metal, contoured



Special plastic self-spring



Adjustable grip length, plastic



Key ring



Safety, metal



Mushroom Type B aviation

Type R aviation

### Lanyards and Locating Bushes



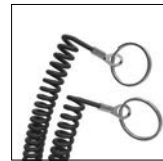
Stainless wire - (coated) - 2 x key ring



Stainless wire - Key ring and fixing loop



Plastic - 2 x cable tie



Steel wire - (coated) - 2 x key ring



Stainless bead chain - 2 x key ring

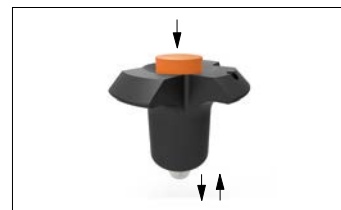


Locating bushes

### Actuation



Press = unlock  
Release = lock (standard)



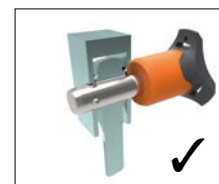
Press = unlock and position  
Release = lock and simultaneous clamp



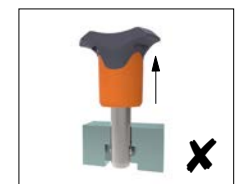
Simple spring loaded balls "pullout pin"

### Important Note

**Important Note: Ball lock pins are not suited to lifting applications!**  
For quick release lifting pins, see part 33400.



Shear force



Lifting force

### Special Variations

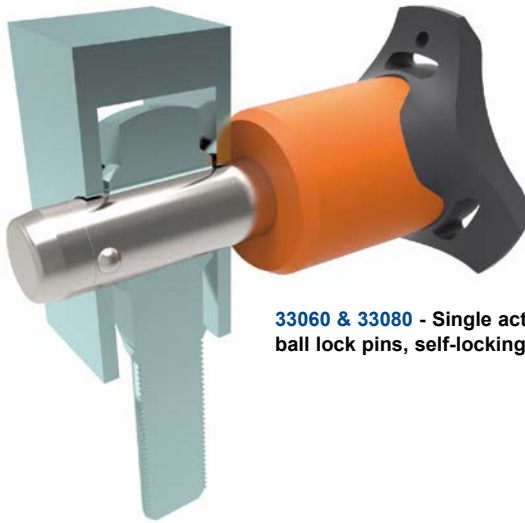


Variations on our standard designs are possible, please contact our sales team for technical assistance. Quick production on specials can be as little as 3 weeks.



### Applications

- Positioning.
- Lifting.
- Locking.
- Indexing.
- Joining.



**33060 & 33080** - Single acting ball lock pins, self-locking.



**33194** - Single acting ball lock pins, self locking, simple finish.



**33140** - Socket pins, non-locking, spring loaded balls.



**33100** - Single acting ball lock pin, self locking.



**33180** - Clamping pins, with span compensation, self-locking.



**33250 & 33270** - Lanyards.



**33220** - Ball lock pins, single acting - L-handle