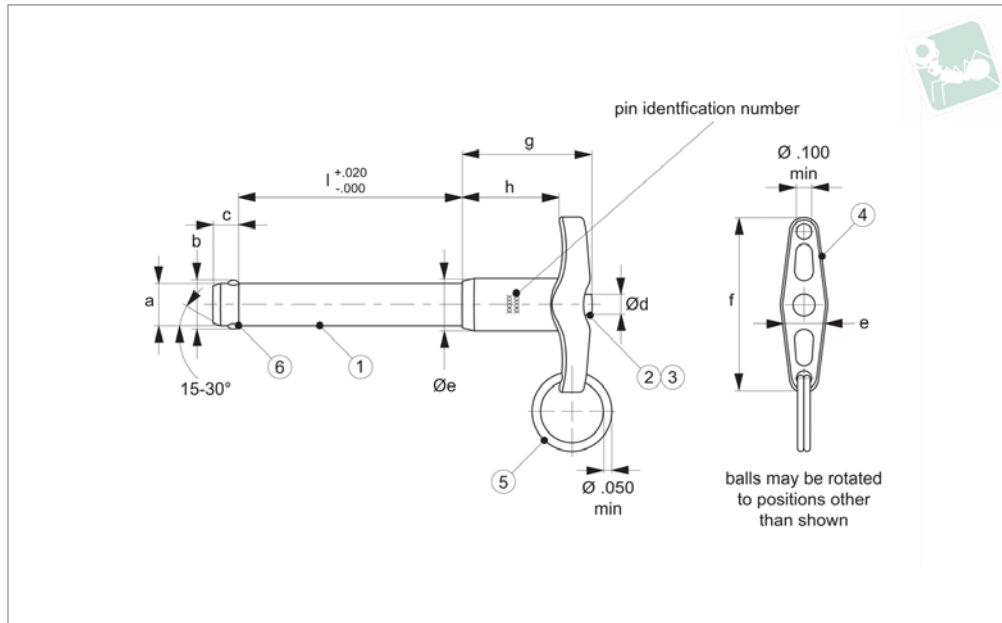




Aviation Pip-Pin - Standard T-Handle

single acting - quick release pins - **according to**

Quick Release Pins



QR5585

QUICK RELEASE PINS

Material

Shank (part 1) & spindle (part 2):

CRES 17-4PH (AMS 5643), heat treated per MIL-H-6875, condition H900, min. 40 HRC, passivated per AMS2700.

Spring (part 3, not shown):

CRES 302 (ASTM-A-313), heat treated per MIL-H-6875, passivated per AMS2700.

Handle (part 4):

A380 (QQ-A-591), anodized (black) per MIL-A-8625.

Attaching ring (part 5):

CRES 302 (ASTM-A-313), passivated per AMS2700.

Ball (locking element, part 6):

CRES CL440C (AMS5630), heat treated per MIL-H-6875, passivated per AMS2700.

Technical Notes

Wixroyd Aviation Pip-pins manufactured to Aviation Norm NASM 17985 (former norm: MS 17985) and tested to NAS 1332.

Manufacture certified & assessed to EN9100D by EASE (European Aerospace Supplier Evaluation).

Temp. range -22°F to 302°F

Pressing = unlocking.

Releasing = locking.

Pip-pins are used for frequently repeated operations such as quick fastening, locking, adjusting, changing and securing. All dimensions shown are imperial.

Tips

We can manufacture specials (both metric & imperial) to your drawing, and are certified to produce to NASM standards.

Wixroyd Aviation Pip-Pins can be produced within the following dimensions:

+ diameter: from 3/16" to 1"

+ grip length: from 0.3" to 9.9"

Quick production time on small batches.

Order No.	Dia. \varnothing inch nom.	Grip l inch	b	c	$\varnothing d$ max.	$\varnothing e$ max.	Weight g
QR5585.A005	3/16	0.5	,220	,260	,310	0.500	24
QR5585.A008	3/16	0.8	,220	,260	,310	0.500	25
QR5585.A012	3/16	1.2	,220	,260	,310	0.500	26
QR5585.A013	3/16	1.3	,220	,260	,310	0.500	27
QR5585.A014	3/16	1.4	,220	,260	,310	0.500	27
QR5585.A026	3/16	2.6	,220	,260	,310	0.500	33
QR5585.B005	1/4	0.5	,289	,290	,310	0.500	26
QR5585.B009	1/4	0.9	,289	,290	,310	0.500	27
QR5585.B011	1/4	1.1	,289	,290	,310	0.500	28
QR5585.B012	1/4	1.2	,289	,290	,310	0.500	30
QR5585.B015	1/4	1.5	,289	,290	,310	0.500	32
QR5585.B016	1/4	1.6	,289	,290	,310	0.500	33
QR5585.B021	1/4	2.1	,289	,290	,310	0.500	36
QR5585.B026	1/4	2.6	,289	,290	,310	0.500	40
QR5585.B040	1/4	4.0	,289	,290	,310	0.500	49
QR5585.C003	5/16	0.3	,375	,330	,310	0.500	27
QR5585.C006	5/16	0.6	,375	,330	,310	0.500	30
QR5585.C010	5/16	1.0	,375	,330	,310	0.500	34
QR5585.C013	5/16	1.3	,375	,330	,310	0.500	36
QR5585.C016	5/16	1.6	,375	,330	,310	0.500	39

Quick Release Pins

Aviation Pip-Pin - Standard T-Handle

single acting - quick release pins - according to



QUICK RELEASE PINS

Order No.	Dia. Ø inch nom.	Grip l inch	b	c	Ø d max.	Ø e max.	Weight g
QR5585.C018	5/16	1.8	,375	,330	,310	0.500	41
QR5585.C020	5/16	2.0	,375	,330	,310	0.500	43
QR5585.C023	5/16	2.3	,375	,330	,310	0.500	45
QR5585.C029	5/16	2.9	,375	,330	,310	0.500	52
QR5585.C030	5/16	3.0	,375	,330	,310	0.500	53
QR5585.C033	5/16	3.3	,375	,330	,310	0.500	56
QR5585.C040	5/16	4.0	,375	,330	,310	0.500	62
QR5585.C050	5/16	5.0	,375	,330	,310	0.500	75
QR5585.C064	5/16	6.4	,375	,330	,310	0.500	89
QR5585.D005	3/8	0.5	,440	,365	,390	0.625	43
QR5585.D010	3/8	1.0	,440	,365	,390	0.625	48
QR5585.D015	3/8	1.5	,440	,365	,390	0.625	57
QR5585.D020	3/8	2.0	,440	,365	,390	0.625	60
QR5585.D024	3/8	2.4	,440	,365	,390	0.625	69
QR5585.D025	3/8	2.5	,440	,365	,390	0.625	72
QR5585.D026	3/8	2.6	,440	,365	,390	0.625	72
QR5585.D031	3/8	3.1	,440	,365	,390	0.625	80
QR5585.D032	3/8	3.2	,440	,365	,390	0.625	80
QR5585.D035	3/8	3.5	,440	,365	,390	0.625	85
QR5585.D040	3/8	4.0	,440	,365	,390	0.625	91
QR5585.E012	7/16	1.2	,509	,380	,390	0.625	60
QR5585.E018	7/16	1.8	,509	,380	,390	0.625	69
QR5585.E026	7/16	2.6	,509	,380	,390	0.625	90
QR5585.E040	7/16	4.0	,509	,380	,390	0.625	113
QR5585.E055	7/16	5.5	,509	,380	,390	0.625	145
QR5585.F010	1/2	1.0	,594	,460	,565	0.800	82
QR5585.F012	1/2	1.2	,594	,460	,565	0.800	87
QR5585.F015	1/2	1.5	,594	,460	,565	0.800	94
QR5585.F019	1/2	1.9	,594	,460	,565	0.800	106
QR5585.F020	1/2	2.0	,594	,460	,565	0.800	108
QR5585.F024	1/2	2.4	,594	,460	,565	0.800	117
QR5585.F029	1/2	2.9	,594	,460	,565	0.800	130
QR5585.F031	1/2	3.1	,594	,460	,565	0.800	135
QR5585.F036	1/2	3.6	,594	,460	,565	0.800	147
QR5585.F037	1/2	3.7	,594	,460	,565	0.800	146
QR5585.F047	1/2	4.7	,594	,460	,565	0.800	177
QR5585.F048	1/2	4.8	,594	,460	,565	0.800	179
QR5585.F064	1/2	6.4	,594	,460	,565	0.800	218
QR5585.G040	9/16	4.0	,666	,510	,565	0.800	190
QR5585.G061	9/16	6.1	,666	,510	,565	0.800	252

Order No.	Ø f max.	g max.	h min.	Shearing resistance, double		Location hole dia. max.	MS Part No.
				lb min.			
QR5585.A005	1.815	1.27	0.800	5.150		0.1940	MS17985C305
QR5585.A008	1.815	1.27	0.800	5.150		0.1940	MS17985C308
QR5585.A012	1.815	1.27	0.800	5.150		0.1940	MS17985C312
QR5585.A013	1.815	1.27	0.800	5.150		0.1940	MS17985C313
QR5585.A014	1.815	1.27	0.800	5.150		0.1940	MS17985C314
QR5585.A026	1.815	1.27	0.800	5.150		0.1940	MS17985C326
QR5585.B005	1.815	1.27	0.800	9.200		0.2540	MS17985C405
QR5585.B009	1.815	1.27	0.800	9.200		0.2540	MS17985C409
QR5585.B011	1.815	1.27	0.800	9.200		0.2540	MS17985C411
QR5585.B012	1.815	1.27	0.800	9.200		0.2540	MS17985C412
QR5585.B015	1.815	1.27	0.800	9.200		0.2540	MS17985C415
QR5585.B016	1.815	1.27	0.800	9.200		0.2540	MS17985C416
QR5585.B021	1.815	1.27	0.800	9.200		0.2540	MS17985C421
QR5585.B026	1.815	1.27	0.800	9.200		0.2540	MS17985C426
QR5585.B040	1.815	1.27	0.800	9.200		0.2540	MS17985C440
QR5585.C003	1.815	1.27	0.800	14.400		0.3165	MS17985C503
QR5585.C006	1.815	1.27	0.800	14.400		0.3165	MS17985C506
QR5585.C010	1.815	1.27	0.800	14.400		0.3165	MS17985C510
QR5585.C013	1.815	1.27	0.800	14.400		0.3165	MS17985C513
QR5585.C016	1.815	1.27	0.800	14.400		0.3165	MS17985C516
QR5585.C018	1.815	1.27	0.800	14.400		0.3165	MS17985C518
QR5585.C020	1.815	1.27	0.800	14.400		0.3165	MS17985C520
QR5585.C023	1.815	1.27	0.800	14.400		0.3165	MS17985C523



Aviation Pip-Pin - Standard T-Handle

single acting - quick release pins - **according to**

Quick Release Pins

Order No.	Ø f max.	g max.	h min.	Shearing resistance, double lb min.	Location hole dia. max.	MS Part No.
QR5585.C029	1.815	1.27	0.800	14.400	0.3165	MS17985C529
QR5585.C030	1.815	1.27	0.800	14.400	0.3165	MS17985C530
QR5585.C033	1.815	1.27	0.800	14.400	0.3165	MS17985C533
QR5585.C040	1.815	1.27	0.800	14.400	0.3165	MS17985C540
QR5585.C050	1.815	1.27	0.800	14.400	0.3165	MS17985C550
QR5585.C064	1.815	1.27	0.800	14.400	0.3165	MS17985C564
QR5585.D005	2.065	1.45	0.850	20.700	0.3790	MS17985C605
QR5585.D010	2.065	1.45	0.850	20.700	0.3790	MS17985C610
QR5585.D015	2.065	1.45	0.850	20.700	0.3790	MS17985C615
QR5585.D020	2.065	1.45	0.850	20.700	0.3790	MS17985C620
QR5585.D024	2.065	1.45	0.850	20.700	0.3790	MS17985C624
QR5585.D025	2.065	1.45	0.850	20.700	0.3790	MS17985C625
QR5585.D026	2.065	1.45	0.850	20.700	0.3790	MS17985C626
QR5585.D031	2.065	1.45	0.850	20.700	0.3790	MS17985C631
QR5585.D032	2.065	1.45	0.850	20.700	0.3790	MS17985C632
QR5585.D035	2.065	1.45	0.850	20.700	0.3790	MS17985C635
QR5585.D040	2.065	1.45	0.850	20.700	0.3790	MS17985C640
QR5585.E012	2.065	1.47	0.850	28.500	0.4425	MS17985C712
QR5585.E018	2.065	1.47	0.850	28.500	0.4425	MS17985C718
QR5585.E026	2.065	1.47	0.850	28.500	0.4425	MS17985C726
QR5585.E040	2.065	1.47	0.850	28.500	0.4425	MS17985C740
QR5585.E055	2.065	1.47	0.850	28.500	0.4425	MS17985C755
QR5585.F010	2.345	1.60	0.885	36.900	0.5050	MS17985C810
QR5585.F012	2.345	1.60	0.885	36.900	0.5050	MS17985C812
QR5585.F015	2.345	1.60	0.885	36.900	0.5050	MS17985C815
QR5585.F019	2.345	1.60	0.885	36.900	0.5050	MS17985C819
QR5585.F020	2.345	1.60	0.885	36.900	0.5050	MS17985C820
QR5585.F024	2.345	1.60	0.885	36.900	0.5050	MS17985C824
QR5585.F029	2.345	1.60	0.885	36.900	0.5050	MS17985C829
QR5585.F031	2.345	1.60	0.885	36.900	0.5050	MS17985C831
QR5585.F036	2.345	1.60	0.885	36.900	0.5050	MS17985C836
QR5585.F037	2.345	1.60	0.885	36.900	0.5050	MS17985C837
QR5585.F047	2.345	1.60	0.885	36.900	0.5050	MS17985C847
QR5585.F048	2.345	1.60	0.885	36.900	0.5050	MS17985C848
QR5585.F064	2.345	1.60	0.885	36.900	0.5050	MS17985C864
QR5585.G040	2.345	1.60	0.885	46.700	0.5675	MS17985C940
QR5585.G061	2.345	1.60	0.885	46.700	0.5675	MS17985C961

QUICK RELEASE PINS



Wixroyd Flight Pin Range - Certified to Aviation Standards

With many years experience producing an extensive range of standard Pip-pins (also know as quick release pins or ball lock pins) we are now able to offer of Aviation Standard approved Pip-pins, manufactured according to NASM norms (formerly MS norms) and tested to NAS 1332 standards.

Expanding Range



33600 - Single acting Pip-pin, standard B handle

33610 - Single acting Pip-pin, standard TA handle

33620 - Single acting Pip-pin, standard LA handle

33630 - Single acting Pip-pin, standard R handle

Wide Range of Aviation Applications

- Interior panel attachment
- Baby bassinet pin
- Curtain track attachment
- Curtain track support pins
- TV monitor attachment
- Folding table assembly (e.g. First Class Cabins)

Aviation Approved

The Wixroyd Aviation Pip-pin range is produced according to NASM norms, and tested to NAS standards. Our manufacturing processes have been assessed and certified by EASE (European Aerospace Supplier Evaluation) to EN9100D.

All our Aviation Pip-pins are individually marked to enable identification of their production lot number.

In-Stock and Available?

Yes! The product sizes shown on the following pages, with a cross reference to the NASM part code for ease of identification, are all available from stock for delivery within 5 days.

Special Designs

We have extensive knowledge and experience in designing, producing and assembling bespoke design pip-pins and ball lock pins in both imperial and metric sizes. We produce under a fully certified manufacturing process, both to our own high standard or to meet Aviation standards.

Please contact our technical team to discuss your requirements (tel. 0845 26 66 577) or email a drawing to info@wixroyd.com

For our full range visit:
wixroyd.com



Wixroyd Flight Pin Range - Certified to Aviation Standards

Your normal experience may be that imperial Aviation Standard Pip-pins are hard to obtain; price prohibitive, and delivery times far too long. The range of Wixroyd Aviation Pip-pins, in a variety of imperial dimensions, has been designed to solve these problems - we hold a wide, and ever increasing range of sizes ex-stock for immediate delivery - no more 6-8 week lead time!

With many years experience producing an extensive range of standard Pip-pins (also know as quick release pins or ball lock pins) we are now able to offer of Aviation Standard approved Pip-pins, manufactured according to NASM norms (formerly MS norms) and tested to NAS 1332 standards.

- Interior panel attachment
- Baby bassinet pin
- Curtain track attachment
- Curtain track support pins
- TV monitor attachment
- Folding table assembly (e.g. First Class Cabins)

Wide Range of Aviation Applications

Yes! The product sizes shown on the following pages, with a cross reference to the NASM part code for ease of identification, are all available from stock for delivery within 5 days.

In-stock and Available?

Our Aviation Pip-pins are manufactured to NASM norms, and we follow the material specification of these norms, which means you can feel safe in purchasing a part which is to specification - both in materials and strength.

Materials



The new Wixroyd Aviation Pip-pin range is produced according to NASM norms, and tested to NAS standards. Our manufacturing processes have been assessed and certified by EASE (European Aerospace Supplier Evaluation) to EN9100D.

Aviation Approved

All our Aviation Pip-pins are individually marked to enable identification of their production lot number. Marking allows identification of:

Identifying Production Batches

- NASM Standard Number
- Material Grade
- Pin/shank diameter
- Grip length
- Company identification
- Production lot number.

We have extensive knowledge and experience in designing, producing and assembling bespoke design pip-pins and ball lock pins in both imperial and metric sizes. We produce under a fully certified manufacturing process, both to our own high standard or to meet Aviation standards.

Special Designs

We can customise to meet your needs:

- Changes in grip/handle type
- Material variations
- Changes of functional dimensions; pin diameter, pin grip length

Please contact our technical team to discuss your requirements (tel. 0845 26 66 577) or email a drawing to info@wixroyd.com

Expanding Range



Single acting Pip-pin, standard B handle

Single acting Pip-pin, standard TA handle

Single acting Pip-pin, standard LA handle

Single acting Pip-pin, standard R handle