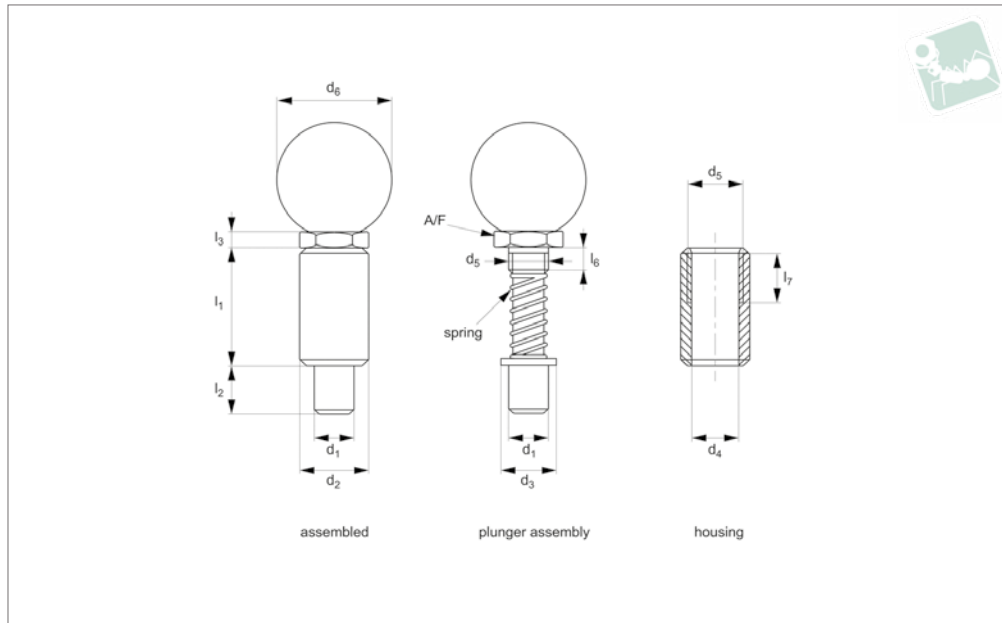




Spring Loaded Pin - Inch - Ball-Handle non-locking

Spring Loaded Pins



SL2116

SPRING LOADED PINS

Material

Steel Type-

Housing: Steel C1038, not plated.

Plunger assembly: Steel C1038, zinc plated.

Handle: Thermoplastic, black.

Stainless Steel Type-

Housing: Stainless Steel AISI 303.

Plunger assembly: Stainless Steel AISI 303.

Handle: Thermoplastic, black.

Aluminium Type-

Housing: aluminium 6061-T6.

Plunger assembly: Steel C1038, zinc plated.

Handle: Thermoplastic, black.

Technical Notes

Force required to lift handle approx. 2,5Kg.

For both the steel and aluminium plungers, tensile strength is 620 N/mm² except for largest pin size being 400 N/mm².

Tips

Housing and plunger assembly supplied as separate elements, this allows housing to be welded in place without damage to plastic handle of plunger assembly. Spring loaded pin is non-locking, pin simply springs back when lever released.

Order No.	Material	d ₁ +0.05 -0.1	d ₂ +0.00 -0.12	l ₁	l ₂	l ₃	l ₆	l ₇	d ₃	d ₄	d ₅	d ₆	A/F
SL2116.I25-150-C	Steel	6,35 (1/4")	25.40	38.1	14.3	4.75	11.2	21.9	16.15	16.5	3/4"-10	35.0	22.3
SL2116.I37-150-C	Steel	9,53 (3/8")	25.40	38.1	14.3	4.75	11.2	21.9	16.15	16.5	3/4"-10	35.0	22.3
SL2116.I50-150-C	Steel	12,70 (1/2")	25.40	38.1	14.3	4.75	11.2	21.9	16.15	16.5	3/4"-10	35.0	22.3
SL2116.I50-225-C	Steel	12,70 (1/2")	25.40	57.1	14.3	4.75	11.2	21.9	16.15	16.5	3/4"-10	35.0	22.3
SL2116.I62-225-C	Steel	15,87 (5/8")	25.40	57.1	14.3	4.75	11.2	21.9	16.15	16.5	3/4"-10	35.0	22.3
SL2116.I25-150-A	Aluminium	6,35 (1/4")	25.40	38.1	14.3	4.75	11.2	21.9	16.15	16.5	3/4"-10	35.0	22.3
SL2116.I37-150-A	Aluminium	9,53 (3/8")	25.40	38.1	14.3	4.75	11.2	21.9	16.15	16.5	3/4"-10	35.0	22.3
SL2116.I50-150-A	Aluminium	12,70 (1/2")	25.40	38.1	14.3	4.75	11.2	21.9	16.15	16.5	3/4"-10	35.0	22.3
SL2116.I50-225-A	Aluminium	12,70 (1/2")	25.40	57.1	14.3	4.75	11.2	21.9	16.15	16.5	3/4"-10	35.0	22.3
SL2116.I62-225-A	Aluminium	15,87 (5/8")	25.40	57.1	14.3	4.75	11.2	21.9	16.15	16.5	3/4"-10	35.0	22.3
SL2116.I37-150-S	Stainless	9,53 (3/8")	25.40	38.1	14.3	4.75	11.2	21.9	16.15	16.5	3/4"-10	35.0	22.3
SL2116.I50-150-S	Stainless	12,70 (1/2")	25.40	38.1	14.3	4.75	11.2	21.9	16.15	16.5	3/4"-10	35.0	22.3
SL2116.I50-225-S	Stainless	12,70 (1/2")	25.40	57.1	14.3	4.75	11.2	21.9	16.15	16.5	3/4"-10	35.0	22.3