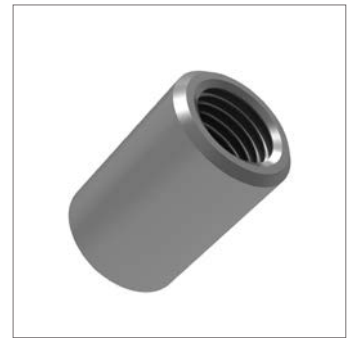
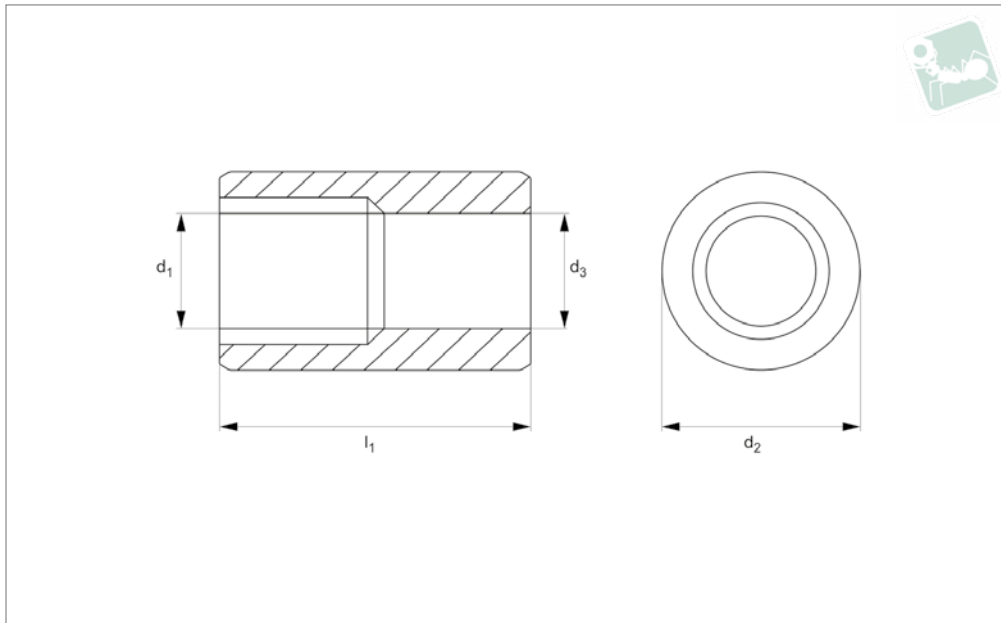




Housing for Spring Loaded Pins

for use with S to SL2216

Spring Loaded Pins



SL2316

SPRING LOADED PINS

Material

Steel Type -

Steel, C1038, un-plated, aluminium 6061-T6.

Stainless Steep Type-

Stainless steel (AISI 303).

Technical Notes

Spare housing bodies. For spring loaded pins S to SL2216.

Order No.	Material	d_1 +0.00 -0.12	d_2	l_1	l_2	d_3
SL2316.075-150-C	Steel	3/4"-10	25.4	38.1	21.9	16.5
SL2316.075-250-C	Steel	3/4"-10	25.4	57.1	21.9	16.5
SL2316.075-150-A	Aluminium	3/4"-10	25.4	38.1	21.9	16.5
SL2316.075-250-A	Aluminium	3/4"-10	25.4	57.1	21.9	16.5
SL2316.075-150-S	Stainless	3/4"-10	25.4	38.1	21.9	16.5
SL2316.075-250-S	Stainless	3/4"-10	25.4	57.1	21.9	16.5