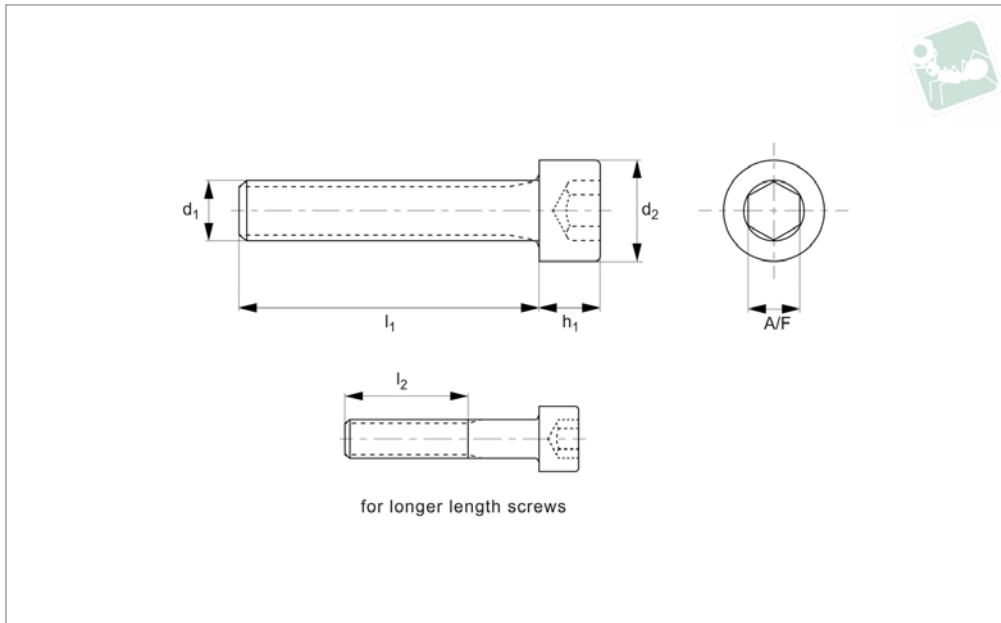




# Socket Cap Screw - M8 - M20

DIN 912 Gr.2

Titanium



**T0010.91T.2**

TITANIUM

### Material

Titanium Grade 2 (commercial grade, high corrosion resistance, strong weldability, standard strength).

### Technical Notes

Items to DIN 912 where stated in data

table.

For the majority of screw lengths the threads goes all the way to the head of the screw (i.e.  $l_1 = l_2$ ) less 2.5 thread pitches.

For longer length screws the threaded portion  $l_2 < l_1$ .

Order No.	Finish	d <sub>1</sub>	l <sub>1</sub>	d <sub>2</sub>	h <sub>1</sub>	l <sub>2</sub>	A/F	Grade	Material	To standard
91T.080.0850.2AD	Natural	M 8	85	13	8	28	6	Comm	Ti-G2	DIN 912
91T.080.0900.2AD	Natural	M 8	90	13	8	28	6	Comm	Ti-G2	DIN 912
91T.080.0950.2AD	Natural	M 8	95	13	8	28	6	Comm	Ti-G2	DIN 912
91T.080.1000.2AD	Natural	M 8	100	13	8	28	6	Comm	Ti-G2	DIN 912
91T.080.1100.2AD	Natural	M 8	110	13	8	28	6	Comm	Ti-G2	DIN 912
91T.080.1200.2AD	Natural	M 8	120	13	8	28	6	Comm	Ti-G2	DIN 912
91T.080.1300.2AD	Natural	M 8	130	13	8	28	6	Comm	Ti-G2	DIN 912
91T.080.1400.2AD	Natural	M 8	140	13	8	28	6	Comm	Ti-G2	DIN 912
91T.080.1500.2AD	Natural	M 8	150	13	8	28	6	Comm	Ti-G2	DIN 912
91T.100.0150.2AD	Natural	M10	15	16	10	-	8	Comm	Ti-G2	DIN 912
91T.100.0160.2AD	Natural	M10	16	16	10	-	8	Comm	Ti-G2	DIN 912
91T.100.0200.2AD	Natural	M10	20	16	10	-	8	Comm	Ti-G2	DIN 912
91T.100.0250.2AD	Natural	M10	25	16	10	-	8	Comm	Ti-G2	DIN 912
91T.100.0300.2AD	Natural	M10	30	16	10	-	8	Comm	Ti-G2	DIN 912
91T.100.0350.2AD	Natural	M10	35	16	10	32	8	Comm	Ti-G2	DIN 912
91T.100.0400.2AD	Natural	M10	40	16	10	32	8	Comm	Ti-G2	DIN 912
91T.100.0450.2AD	Natural	M10	45	16	10	32	8	Comm	Ti-G2	DIN 912
91T.100.0500.2AD	Natural	M10	50	16	10	32	8	Comm	Ti-G2	DIN 912
91T.100.0550.2AD	Natural	M10	55	16	10	32	8	Comm	Ti-G2	DIN 912
91T.100.0600.2AD	Natural	M10	60	16	10	32	8	Comm	Ti-G2	DIN 912
91T.100.0650.2AD	Natural	M10	65	16	10	32	8	Comm	Ti-G2	DIN 912
91T.100.0700.2AD	Natural	M10	70	16	10	32	8	Comm	Ti-G2	DIN 912
91T.100.0750.2AD	Natural	M10	75	16	10	32	8	Comm	Ti-G2	DIN 912
91T.100.0800.2AD	Natural	M10	80	16	10	32	8	Comm	Ti-G2	DIN 912
91T.100.0850.2AD	Natural	M10	85	16	10	32	8	Comm	Ti-G2	DIN 912
91T.100.0900.2AD	Natural	M10	90	16	10	32	8	Comm	Ti-G2	DIN 912
91T.100.0950.2AD	Natural	M10	95	16	10	32	8	Comm	Ti-G2	DIN 912
91T.100.1000.2AD	Natural	M10	100	16	10	32	8	Comm	Ti-G2	DIN 912
91T.100.1100.2AD	Natural	M10	110	16	10	32	8	Comm	Ti-G2	DIN 912
91T.100.1200.2AD	Natural	M10	120	16	10	32	8	Comm	Ti-G2	DIN 912
91T.100.1300.2AD	Natural	M10	130	16	10	32	8	Comm	Ti-G2	DIN 912
91T.100.1400.2AD	Natural	M10	140	16	10	32	8	Comm	Ti-G2	DIN 912



Order No.	Finish	d <sub>1</sub>	l <sub>1</sub>	d <sub>2</sub>	h <sub>1</sub>	l <sub>2</sub>	A/F	Grade	Material	To standard
91T.100.1500.2AD	Natural	M10	150	16	10	32	8	Comm	Ti-G2	DIN 912
91T.120.0200.2AD	Natural	M12	20	19	12	34	10	Comm	Ti-G2	DIN 912
91T.120.0250.2AD	Natural	M12	25	19	12	34	10	Comm	Ti-G2	DIN 912
91T.120.0300.2AD	Natural	M12	30	19	12	34	10	Comm	Ti-G2	DIN 912
91T.120.0350.2AD	Natural	M12	35	19	12	34	10	Comm	Ti-G2	DIN 912
91T.120.0400.2AD	Natural	M12	40	19	12	34	10	Comm	Ti-G2	DIN 912
91T.120.0450.2AD	Natural	M12	45	19	12	34	10	Comm	Ti-G2	DIN 912
91T.120.0500.2AD	Natural	M12	50	19	12	34	10	Comm	Ti-G2	DIN 912
91T.120.0550.2AD	Natural	M12	55	19	12	34	10	Comm	Ti-G2	DIN 912
91T.120.0600.2AD	Natural	M12	60	19	12	34	10	Comm	Ti-G2	DIN 912
91T.120.0650.2AD	Natural	M12	65	19	12	34	10	Comm	Ti-G2	DIN 912
91T.120.0700.2AD	Natural	M12	70	19	12	34	10	Comm	Ti-G2	DIN 912
91T.120.0750.2AD	Natural	M12	75	19	12	34	10	Comm	Ti-G2	DIN 912
91T.120.0800.2AD	Natural	M12	80	19	12	34	10	Comm	Ti-G2	DIN 912
91T.120.0850.2AD	Natural	M12	85	19	12	34	10	Comm	Ti-G2	DIN 912
91T.120.0900.2AD	Natural	M12	90	19	12	34	10	Comm	Ti-G2	DIN 912
91T.120.0950.2AD	Natural	M12	95	19	12	34	10	Comm	Ti-G2	DIN 912
91T.120.1000.2AD	Natural	M12	100	19	12	34	10	Comm	Ti-G2	DIN 912
91T.120.1100.2AD	Natural	M12	110	19	12	34	10	Comm	Ti-G2	DIN 912
91T.120.1200.2AD	Natural	M12	120	19	12	34	10	Comm	Ti-G2	DIN 912
91T.120.1300.2AD	Natural	M12	130	19	12	34	10	Comm	Ti-G2	DIN 912
91T.120.1400.2AD	Natural	M12	140	19	12	34	10	Comm	Ti-G2	DIN 912
91T.120.1500.2AD	Natural	M12	150	19	12	34	10	Comm	Ti-G2	DIN 912
91T.140.0200.2AD	Natural	M14	20	22	14	36	12	Comm	Ti-G2	DIN 912
91T.140.0250.2AD	Natural	M14	25	22	14	36	12	Comm	Ti-G2	DIN 912
91T.140.0300.2AD	Natural	M14	30	22	14	36	12	Comm	Ti-G2	DIN 912
91T.140.0350.2AD	Natural	M14	35	22	14	36	12	Comm	Ti-G2	DIN 912
91T.140.0400.2AD	Natural	M14	40	22	14	36	12	Comm	Ti-G2	DIN 912
91T.140.0450.2AD	Natural	M14	45	22	14	36	12	Comm	Ti-G2	DIN 912
91T.140.0500.2AD	Natural	M14	50	22	14	36	12	Comm	Ti-G2	DIN 912
91T.140.0550.2AD	Natural	M14	55	22	14	36	12	Comm	Ti-G2	DIN 912
91T.140.0600.2AD	Natural	M14	60	22	14	36	12	Comm	Ti-G2	DIN 912
91T.140.0650.2AD	Natural	M14	65	22	14	36	12	Comm	Ti-G2	DIN 912
91T.140.0700.2AD	Natural	M14	70	22	14	36	12	Comm	Ti-G2	DIN 912
91T.140.0750.2AD	Natural	M14	75	22	14	36	12	Comm	Ti-G2	DIN 912
91T.140.0800.2AD	Natural	M14	80	22	14	36	12	Comm	Ti-G2	DIN 912
91T.140.0850.2AD	Natural	M14	85	22	14	36	12	Comm	Ti-G2	DIN 912
91T.140.0900.2AD	Natural	M14	90	22	14	36	12	Comm	Ti-G2	DIN 912
91T.140.0950.2AD	Natural	M14	95	22	14	36	12	Comm	Ti-G2	DIN 912
91T.140.1000.2AD	Natural	M14	100	22	14	36	12	Comm	Ti-G2	DIN 912
91T.140.1100.2AD	Natural	M14	110	22	14	36	12	Comm	Ti-G2	DIN 912
91T.140.1200.2AD	Natural	M14	120	22	14	36	12	Comm	Ti-G2	DIN 912
91T.140.1300.2AD	Natural	M14	130	22	14	36	12	Comm	Ti-G2	DIN 912
91T.140.1400.2AD	Natural	M14	140	22	14	36	12	Comm	Ti-G2	DIN 912
91T.140.1500.2AD	Natural	M14	150	22	14	36	12	Comm	Ti-G2	DIN 912
91T.160.0200.2AD	Natural	M16	20	25	16	38	14	Comm	Ti-G2	DIN 912
91T.160.0250.2AD	Natural	M16	25	25	16	38	14	Comm	Ti-G2	DIN 912
91T.160.0300.2AD	Natural	M16	30	25	16	38	14	Comm	Ti-G2	DIN 912
91T.160.0350.2AD	Natural	M16	35	25	16	38	14	Comm	Ti-G2	DIN 912
91T.160.0400.2AD	Natural	M16	40	25	16	38	14	Comm	Ti-G2	DIN 912
91T.160.0450.2AD	Natural	M16	45	25	16	38	14	Comm	Ti-G2	DIN 912
91T.160.0500.2AD	Natural	M16	50	25	16	38	14	Comm	Ti-G2	DIN 912
91T.160.0550.2AD	Natural	M16	55	25	16	38	14	Comm	Ti-G2	DIN 912
91T.160.0600.2AD	Natural	M16	60	25	16	38	14	Comm	Ti-G2	DIN 912
91T.160.0650.2AD	Natural	M16	65	25	16	38	14	Comm	Ti-G2	DIN 912
91T.160.0700.2AD	Natural	M16	70	25	16	38	14	Comm	Ti-G2	DIN 912
91T.160.0750.2AD	Natural	M16	75	25	16	38	14	Comm	Ti-G2	DIN 912
91T.160.0800.2AD	Natural	M16	80	25	16	38	14	Comm	Ti-G2	DIN 912
91T.160.0850.2AD	Natural	M16	85	25	16	38	14	Comm	Ti-G2	DIN 912
91T.160.0900.2AD	Natural	M16	90	25	16	38	14	Comm	Ti-G2	DIN 912
91T.160.0950.2AD	Natural	M16	95	25	16	38	14	Comm	Ti-G2	DIN 912
91T.160.1000.2AD	Natural	M16	100	25	16	38	14	Comm	Ti-G2	DIN 912
91T.160.1100.2AD	Natural	M16	110	25	16	38	14	Comm	Ti-G2	DIN 912
91T.160.1200.2AD	Natural	M16	120	25	16	38	14	Comm	Ti-G2	DIN 912
91T.160.1300.2AD	Natural	M16	130	25	16	38	14	Comm	Ti-G2	DIN 912
91T.160.1400.2AD	Natural	M16	140	25	16	38	14	Comm	Ti-G2	DIN 912
91T.160.1500.2AD	Natural	M16	150	25	16	38	14	Comm	Ti-G2	DIN 912
91T.200.0200.2AD	Natural	M20	20	31	20	42	18	Comm	Ti-G2	DIN 912
91T.200.0250.2AD	Natural	M20	25	31	20	42	18	Comm	Ti-G2	DIN 912



# Socket Cap Screw - M8 - M20

DIN 912 Gr.2

Titanium

Order No.	Finish	d <sub>1</sub>	l <sub>1</sub>	d <sub>2</sub>	h <sub>1</sub>	l <sub>2</sub>	A/F	Grade	Material	To standard
91T.200.0300.2AD	Natural	M20	30	31	20	42	18	Comm	Ti-G2	DIN 912
91T.200.0350.2AD	Natural	M20	35	31	20	42	18	Comm	Ti-G2	DIN 912
91T.200.0400.2AD	Natural	M20	40	31	20	42	18	Comm	Ti-G2	DIN 912
91T.200.0450.2AD	Natural	M20	45	31	20	42	18	Comm	Ti-G2	DIN 912
91T.200.0500.2AD	Natural	M20	50	31	20	42	18	Comm	Ti-G2	DIN 912
91T.200.0550.2AD	Natural	M20	55	31	20	42	18	Comm	Ti-G2	DIN 912
91T.200.0600.2AD	Natural	M20	60	31	20	42	18	Comm	Ti-G2	DIN 912
91T.200.0650.2AD	Natural	M20	65	31	20	42	18	Comm	Ti-G2	DIN 912
91T.200.0700.2AD	Natural	M20	70	31	20	42	18	Comm	Ti-G2	DIN 912
91T.200.0750.2AD	Natural	M20	75	31	20	42	18	Comm	Ti-G2	DIN 912
91T.200.0800.2AD	Natural	M20	80	31	20	42	18	Comm	Ti-G2	DIN 912
91T.200.0850.2AD	Natural	M20	85	31	20	42	18	Comm	Ti-G2	DIN 912
91T.200.0900.2AD	Natural	M20	90	31	20	42	18	Comm	Ti-G2	DIN 912
91T.200.0950.2AD	Natural	M20	95	31	20	42	18	Comm	Ti-G2	DIN 912
91T.200.1000.2AD	Natural	M20	100	31	20	42	18	Comm	Ti-G2	DIN 912
91T.200.1100.2AD	Natural	M20	110	31	20	42	18	Comm	Ti-G2	DIN 912
91T.200.1200.2AD	Natural	M20	120	31	20	42	18	Comm	Ti-G2	DIN 912
91T.200.1300.2AD	Natural	M20	130	31	20	42	18	Comm	Ti-G2	DIN 912
91T.200.1400.2AD	Natural	M20	140	31	20	42	18	Comm	Ti-G2	DIN 912
91T.200.1500.2AD	Natural	M20	150	31	20	42	18	Comm	Ti-G2	DIN 912

TITANIUM