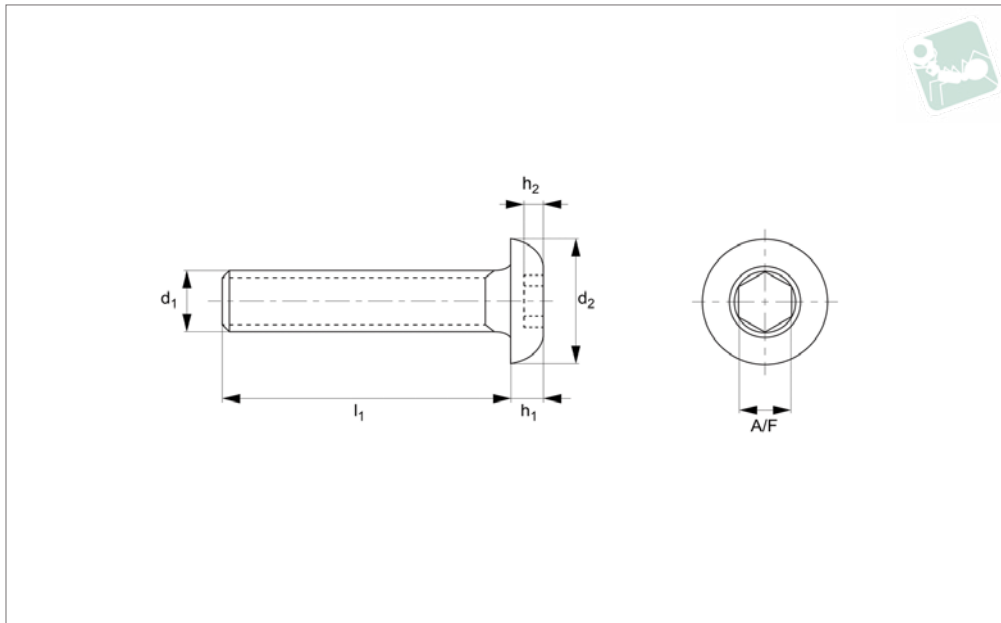




Buttonhead Socket Cap Screw

ISO 7380, titanium 5

Titanium



T0019.T5

TITANIUM

Material

Titanium 5 (6AL-4V).

Order No.	Thread	l_1	d_2	h_1	h_2	A/F
T0019.050-016-T5-A	M 5	16.0	9.0	3.0	1.56	3.0
T0019.050-016-T5-B	M 5	16.0	10.5	3.0	1.56	3.0
T0019.050-025-T5-A	M 5	25.0	9.0	3.0	1.56	3.0
T0019.050-025-T5-B	M 5	25.0	10.5	3.0	1.56	3.0
T0019.060-016-T5-A	M 6	16.0	10.5	3.3	2.08	4.0
T0019.060-016-T5-B	M 6	16.0	16.0	3.3	2.08	4.0
T0019.060-025-T5-A	M 6	25.0	10.5	3.3	2.08	4.0
T0019.060-025-T5-B	M 6	25.0	16.0	3.3	2.08	4.0
T0019.080-020-T5-A	M 8	20.0	14.0	4.5	2.08	5.0
T0019.080-020-T5-B	M 8	20.0	16.0	4.5	2.08	5.0
T0019.080-030-T5-A	M 8	30.0	14.0	4.5	2.08	5.0
T0019.080-030-T5-B	M 8	30.0	16.0	4.5	2.08	5.0