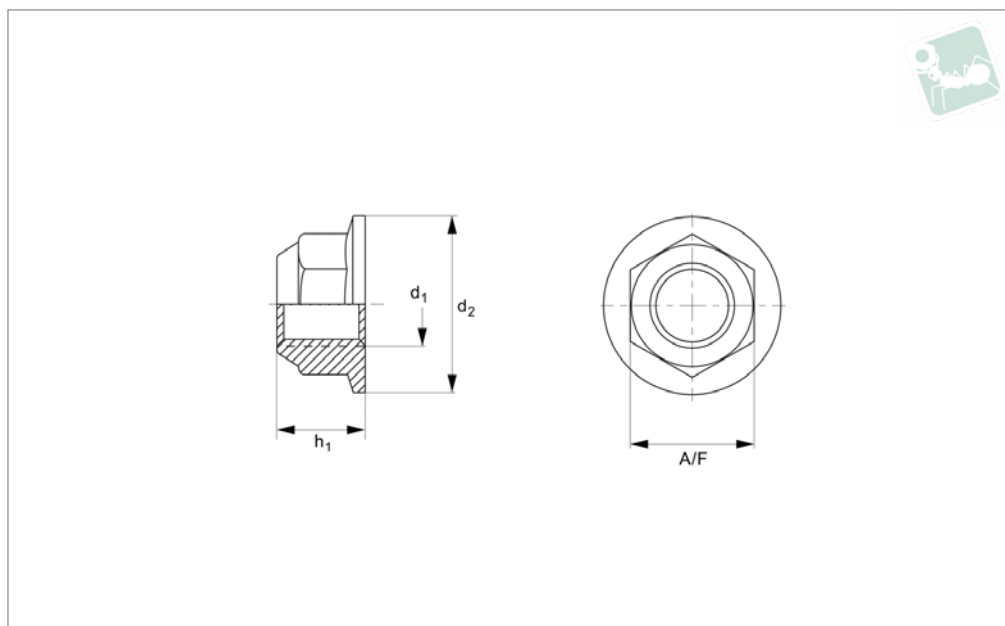




# Flanged Nuts

Flanged, DIN 6929, Titanium 5

Titanium



**T0533.T5**

TITANIUM

**Material**  
Titanium 5 (6AL-4V).

**Technical Notes**  
To DIN 6923.

Order No.	d <sub>1</sub>	d <sub>2</sub>	h <sub>1</sub>	A/F
T0533.050-T5	M 5	11.8	5	8
T0533.060-T5	M 6	14.2	6	10
T0533.080-T5	M 8	17.9	8	13
T0533.100-T5	M10	21.8	10	15
T0533.120-T5	M12	26.0	12	18