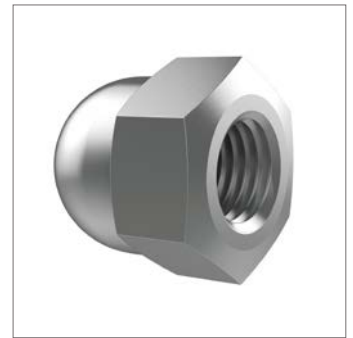
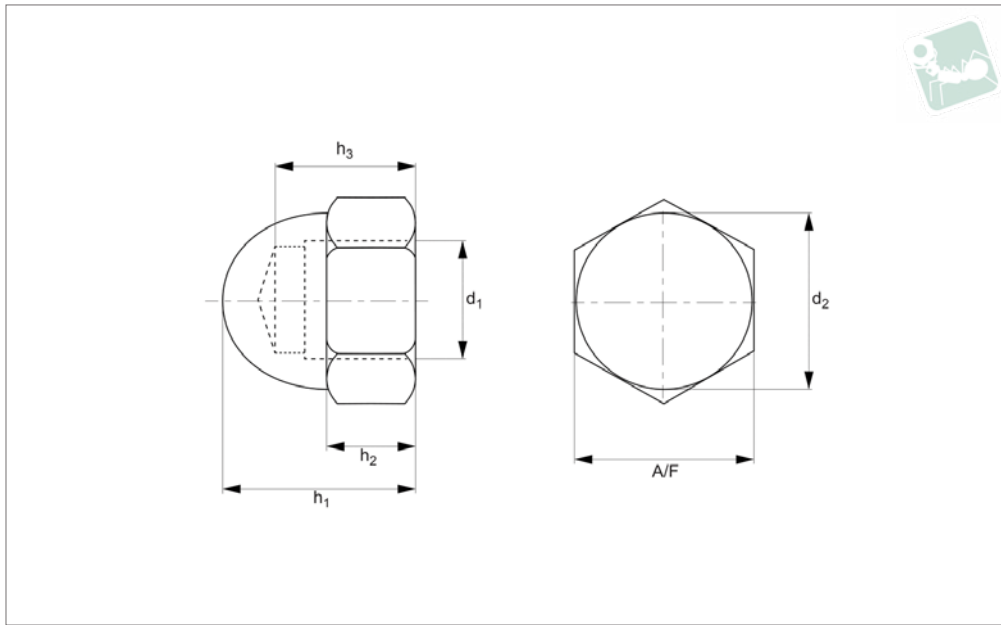




# Hexagon Domed Cap Nuts

Domed Cap Nuts, DIN 1587, Titanium G2

Titanium



**T0542.T2**

TITANIUM

**Material**  
Titanium G2.

**Technical Notes**  
To DIN 1587.

Order No.	Thread	$d_2$	$h_1$	$h_2$	$h_3$	A/F
T0542.050-T2-00	M 5	7.5	10	4.0	7.5	8
T0542.060-T2-00	M 6	9.5	12	5.0	8.0	10
T0542.080-T2-00	M 8	12.5	15	6.5	11.0	13
T0542.100-T2-00	M10	16.0	18	8.0	13.0	16
T0542.100-125-T2-00	M10x1,25	-	18	8.0	-	16
T0542.120-T2-00	M12	18.0	22	10.0	16.0	19