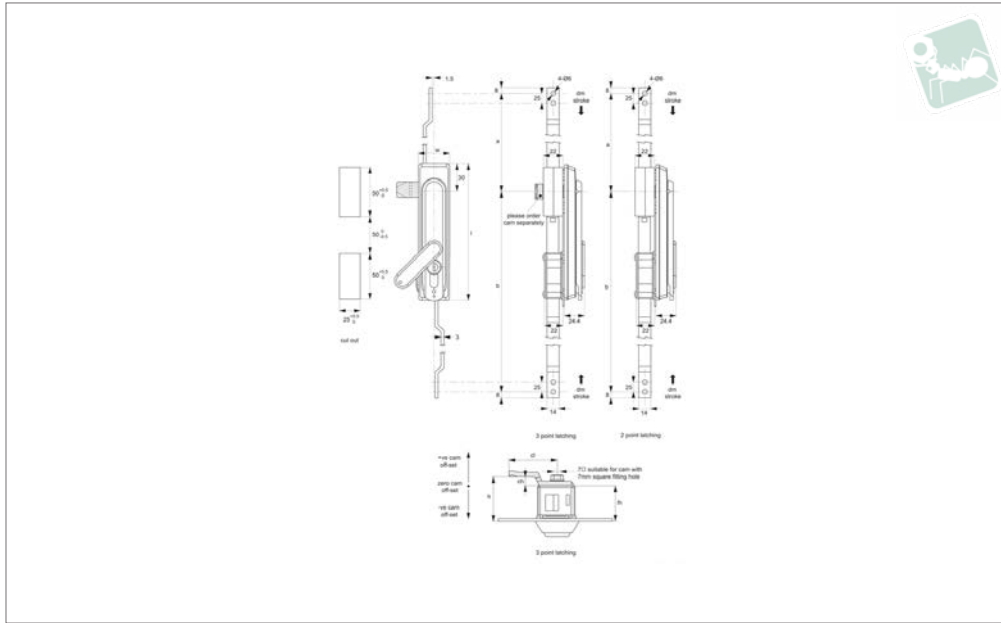




Swing Handles - with Rod Control

40mm euro cylinder lock - dust cover - zinc or poly-

Latches



PL0500

LATCHES

Material

Type One: Body & Handle: die cast zinc, black powder coated.

Type Two: Body: Polyamide PA6, black.
Handle: die cast zinc, black powder coated.
Cylinder lock: die cast zinc, chrome plated.
Rod Control Mechanism: die cast zinc.

Supplied with: Keys: two per lock.

Not supplied: Cam: order separately.

Technical Notes

All locks are **keyed alike**.

Order cam separately.

Three point latching model utilises rod control plus a cam.

Two point latching model cannot accommodate a cam.

Cams: see suitable cam . Select „without projection“ cam type.

Dimensions ch and cl relate to cam. Use formula to calculate ch (required cam off-set), and refer to cam selection chart;

ch = h - lh where;

ch = required cam off-set/height.

h = grip length (distance between inside of

latch face and front of cam).

lh = body length of cam latch/lock to be used (see product table below).

Rods & Guides: to achieve 3-point latching - CC0340, CC0350, CC0355.

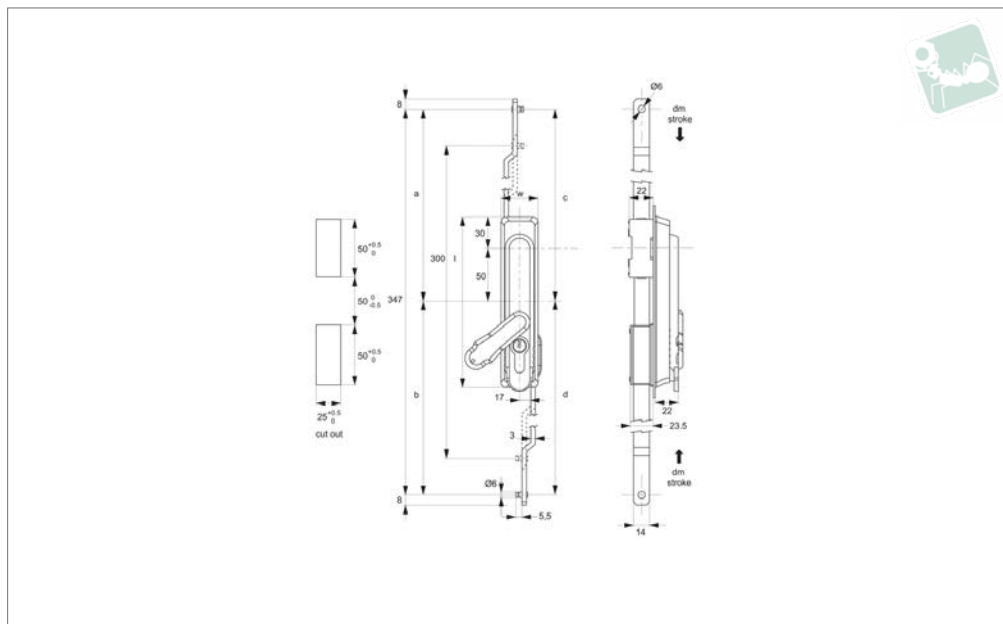
Tips

90° degree handle rotation combines with rod latch to open or close. Panel thickness 1-4mm. All the cast metal construction provides higher strength.

Order No.	Type	Body	Handle	Latching type	l	Padlockable	w	lh	a	b	dm stroke
PL0500.M0010	One	Zinc	Zinc	2 point	160	No	34	23	122	196	15
PL0500.M0020	One	Zinc	Zinc	2 point	160	Yes	34	23	196	122	15
PL0500.M0310	Two	Polyamide	Zinc	3 point	160	No	34	23	196	122	15
PL0500.M0320	Two	Polyamide	Zinc	3 point	160	Yes	34	23	196	122	15



PL0510



Material

Body & Handle: polyamide (PA), black.
 Cylinder lock: die cast zinc, chrome plated.
 Rod Control Mechanism: die cast zinc.

Supplied with: Keys: two per lock.

Not supplied: Cam: order separately.

Technical Notes

Suitable for two point latching.
 Not suitable for three point latching.

Tips

Also available with radial pin lock, subject

to min. order quantity.

Ideal for electrical cabinets, telecom racks or enclosures max. panel thickness of 2mm. For use inside of cabinet gasket. Universal left/right.

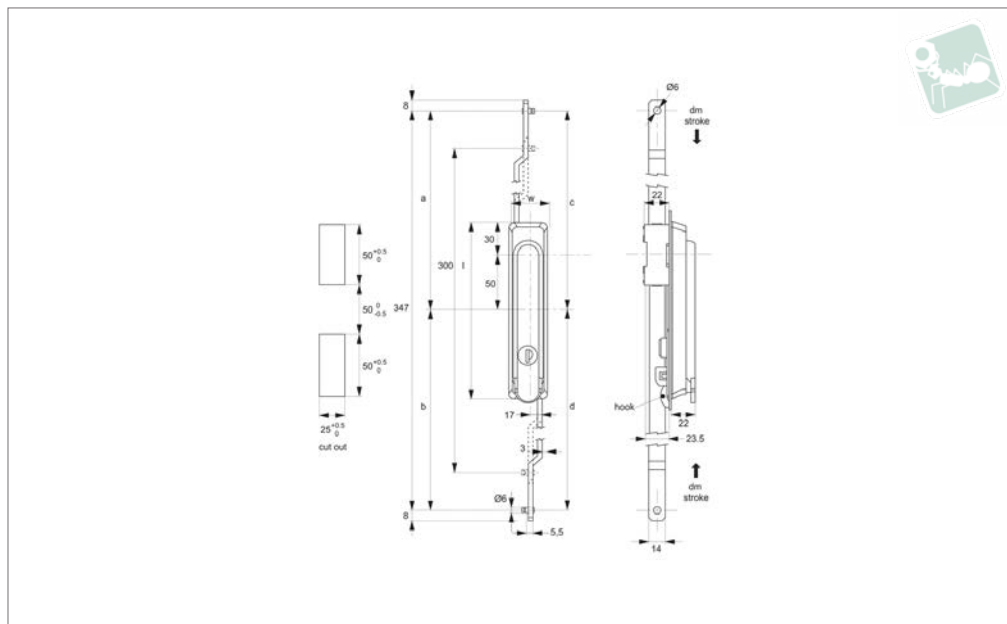
Order No.	Finish	Lock type	Key type	l	w	lh	a	b	c	d	dm stroke 135°	dm stroke 90°
PL0510.M0020	Black, Plastic	40 Euro	Keyed Alike	160	35	23	123.5	223.5	173.5	173.5	23.5	16



Swing Handle - with Rod Control

standard cylinder - polyamide

Latches



PL0520

LATCHES

Material

Body & Handle: polyamide (PA), black.
 Cylinder lock: die cast zinc, chrome plated.
 Rod Control Mechanism: die cast zinc.
Supplied with: Keys: two per lock.

Not supplied: Rods: order separately.

Technical Notes

Suitable for two point latching.
 Not suitable for three point latching.

Rods & Guides: CC0340, CC0350, CC0355.

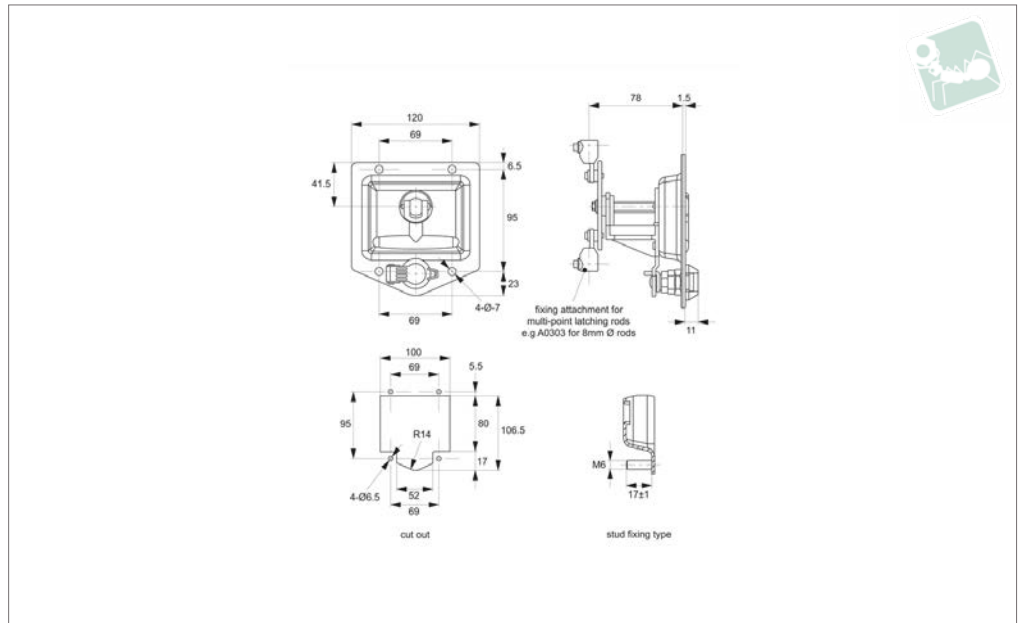
Tips

Suitable for panel thickness 1 - 2mm.

Order No.	Finish	Latching type	Key type	l	w	lh	a	b	c	d	dm stroke 135°	dm stroke 90°
PL0520.AW0010	Black, Plastic	2-Point	Keyed Alike	160	35	22	123.5	223.5	173.5	173.5	23.5	16



PL0580



Material

Body: stainless steel, AISI 303.
Handle: die cast zinc, chrome plated.
Cylinder lock: die cast zinc, chrome plated.
Supplied with: Keys: two per lock.

Technical Notes

Hole fixing type requires 4 off M 6 screws

(not supplied) for front mounting.
Stud fixing type has 4 off M 6 welding studs for rear mounting with M 6 nuts (not supplied).
Use with multi-point latching rods (e.g CC0340), with 8mm Ø rods, to achieve two point latching of larger enclosure panels.

Tips

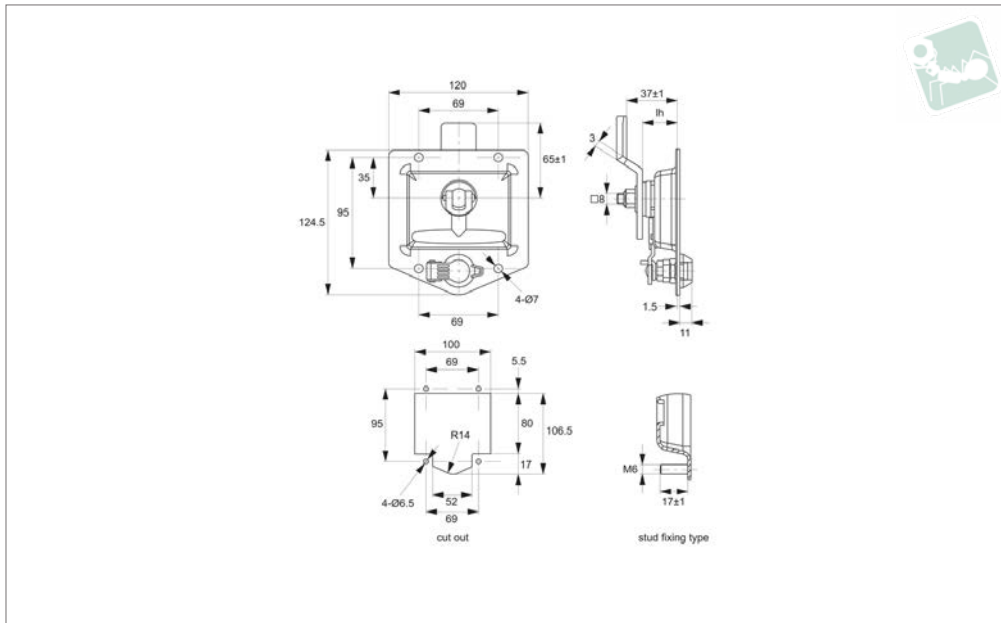
Ideal for electricity sub-stations, HGVs and other road side vehicles.
T-handle is in the vertical position when locked. Universal left/right. For use inside of cabinet gasket.

Order No.	Mounting type	Lock type	Key type
PL0580.M0010	Hole Fixing	Std. Cylinder	Keyed Alike
PL0580.M0020	Stud Fixing	Std. Cylinder	Keyed Alike



Cam Latch - Flush T-handle

vertical - heavy duty - fixed grip - standard cylinder



PL0585

LATCHES

Material

Body: stainless steel, AISI 303.
 Handle: die cast zinc, chrome plated.
 Cylinder lock: die cast zinc, chrome plated.
Supplied with: Keys: two per lock.
 Cam: stainless steel, AISI 303.

Technical Notes

Hole fixing type requires 4 off M 6 screws

(not supplied), for front mounting.
 Stud fixing type has 4 off M 6 welded studs for near mounting with M 6 nuts (not supplied).

Tips

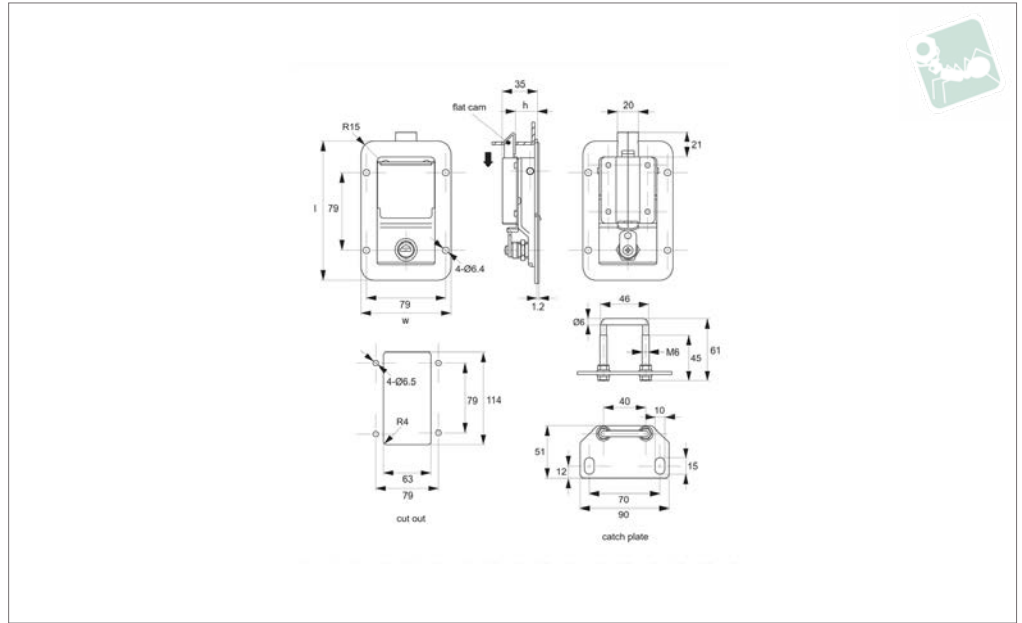
Ideal for electricity sub-stations, HGVs and other road side vehicles.
 T-handle is in the vertical position when

locked. Universal left/right. For use inside of cabinet gasket.
 Can be used with cam range CC0020.

Order No.	Mounting type	Lock type	Key type	lh
PL0585.M0010	Hole Fixing	Std. Cylinder	Keyed Alike	25
PL0585.M0020	Stud Fixing	Std. Cylinder	Keyed Alike	25



PL0740



Material

Body and Handle: stainless steel, AISI 304.
Cylinder lock: die cast zinc, chrome plated.

Supplied with: Keys: two per lock.

Not Supplied: Catch plate: please order separately.

Technical Notes

Hole fixing type requires 4 off M 6 screws (not supplied) for front mounting.

Spring loaded, slam action handle.

Universal left/right. For use inside of cabinet gasket.

Tips

Fully integrated lock, latch and flush fitting paddle handle, ideal for generators, compressors, electric panels and doors.

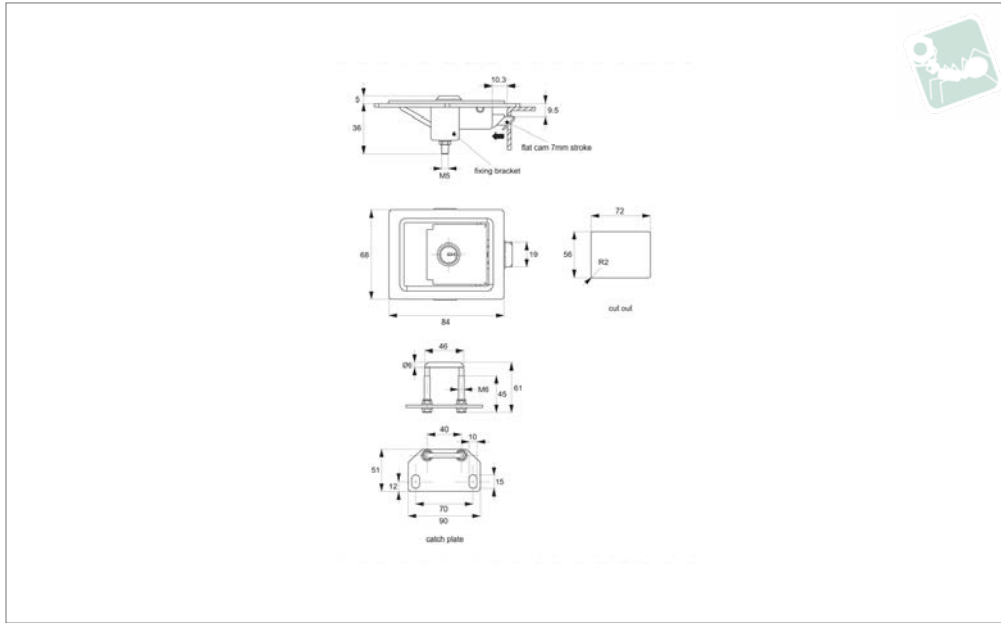
Order No.	Type	h	l	w
PL0740.M0010	With Lock	22	140	90
PL0740.M0020	Blank - No Lock	22	140	90



Push To Close Paddle Latches

pull to open - slam action - standard cylinder lock -

Latches



PL0710

LATCHES

Material

Body and Handle: steel, black powder coated.
Cylinder lock: die cast zinc, zinc plated.

Supplied with: Keys: two per lock.

Not Supplied: Catch plate: please order separately.

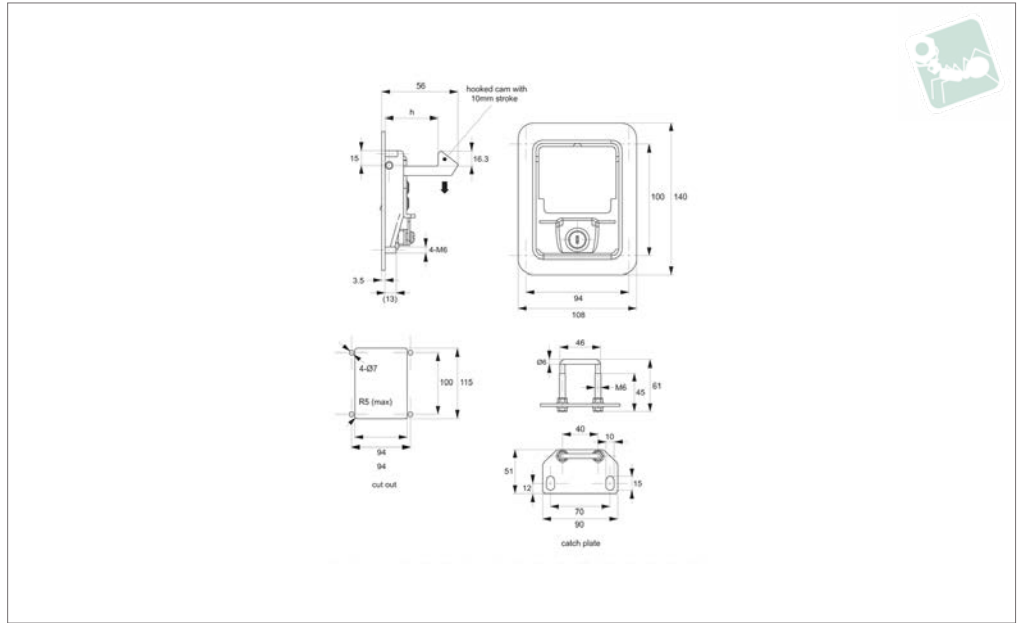
Technical Notes

Spring loaded, slam action handle. Installation via 72x56mm cut out.

Order No.	Lock type
PL0710.M0010	Std. Cylinder
PL0710.M0020	Blank - No Lock



PL0712



LATCHES

Material

Body and Handle: steel, black powder coated.

Cylinder lock: die cast zinc, zinc plated.

Supplied with: Keys: two per lock.

Not Supplied: Catch plate: please order separately.

Technical Notes

Stud fixing type has 4 off M 6 welded studs for rear mounting with M 6 nuts (not supplied).

Universal left/right. For use inside of cabinet gasket.

Tips

Fully integrated lock, latch and flush fitting paddle handle, ideal for generators, compressors, electric panels and doors.

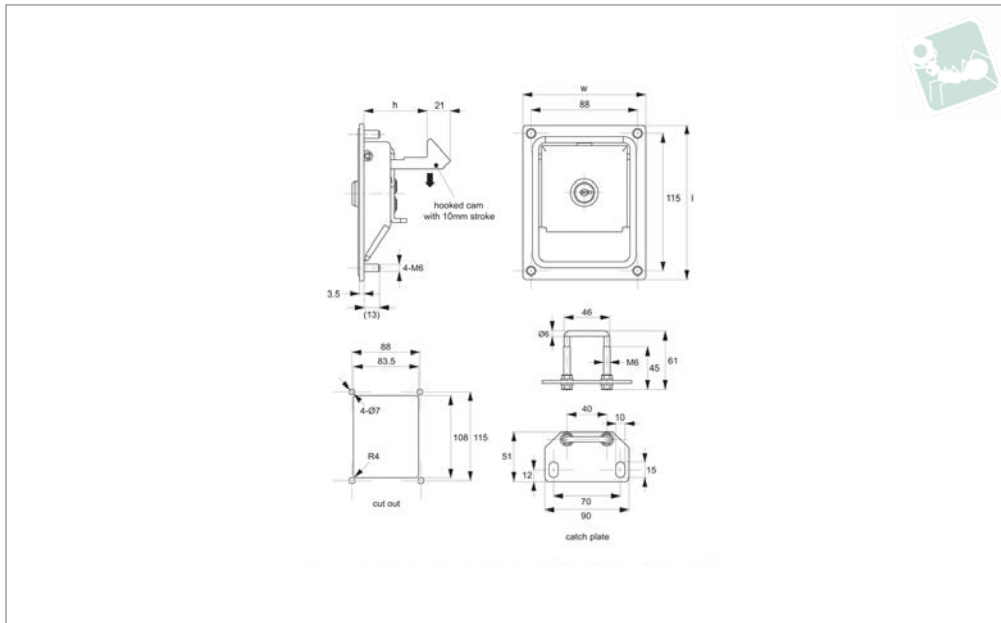
Order No.	Lock type	Type	h
PL0712.M0010	Std. Cylinder	Latch	31.5
PL0712.M0020	Std. Cylinder	Latch	44.0
PL0712.M0030	Std. Cylinder	Latch	55.0



Push To Close Paddle Latches

pull to open - slam action - standard cylinder lock -

Latches



PL0730

LATCHES

Material

Body and Handle: steel, black powder coated.

Cylinder lock: die cast zinc, zinc plated.

Supplied with: Keys: two per lock.

Not Supplied: Catch plate: please order

separately.

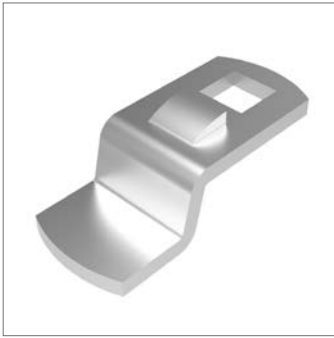
Technical Notes

Stud fixing type has 4 off M 6 welded studs for rear mounting with M 6 nuts (not supplied).

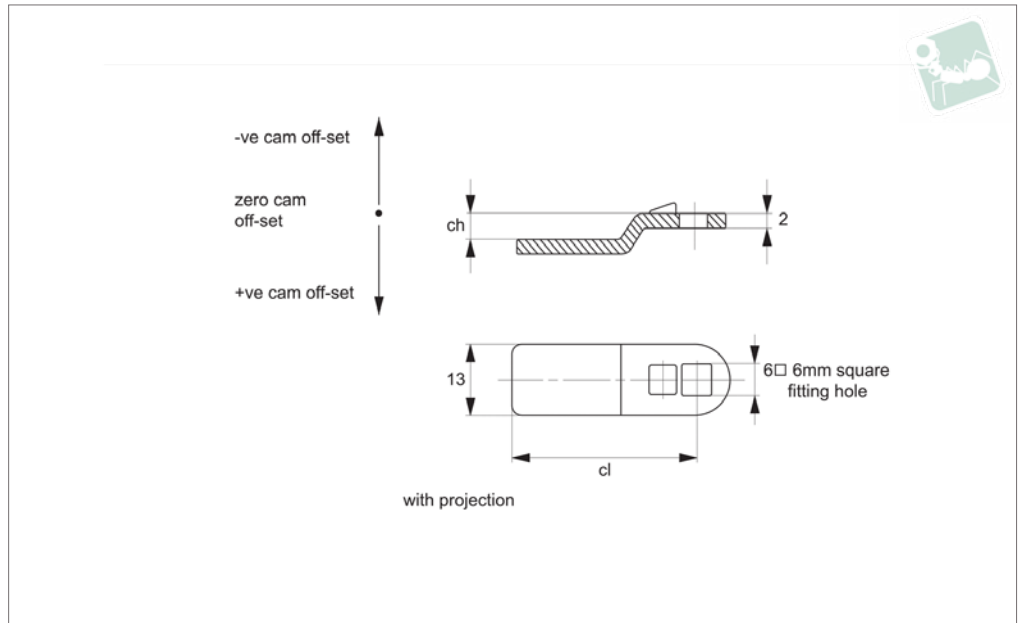
Tips

Fully integrated lock, latch and flush fitting paddle handle, ideal for generators, compressors, electric panels and doors.

Order No.	Lock type	Type	h	l	w
PL0730.M0010	Std. Cylinder	Latch	30.5	127	101.5
PL0730.M0020	Std. Cylinder	Latch	43.0	127	101.5
PL0730.M0030	Std. Cylinder	Latch	54.0	127	101.5
PL0730.M0040	Blank - No Lock	Latch	30.5	127	101.5
PL0730.M0050	Blank - No Lock	Latch	43.0	127	101.5



CC0050



Material

Steel, zinc plated.

Technical Notes

Use formula to calculate ch (required cam off-set), and select from product table below;

$ch = h - lh$ where;

ch = required cam off-set/height.

h = grip length (distance between inside of latch face and front of cam).

lh = body length of cam latch/lock to be used (see individual latch/lock product table).

Refer to installation drawing below.

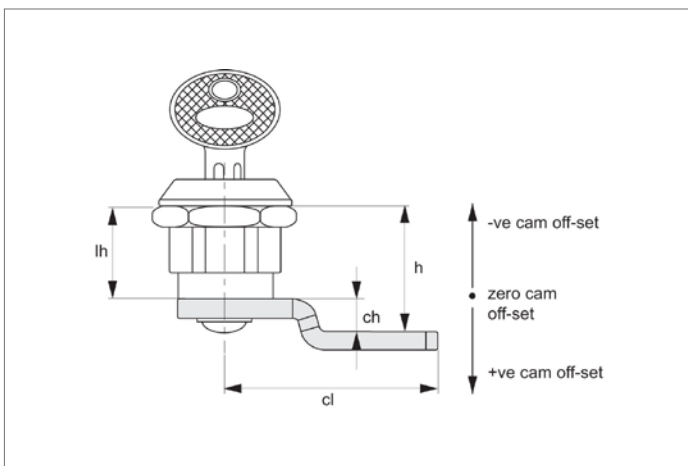
Important Notes

With projection type ensures correct location and prevents cam rotating over 45°.

See cam selection chart for specific latch/lock suitability.

Sold subject to pack quantity.

Order No.	ch	cl	Where lh = 18	Where lh = 18,5	Where lh = 20	Where lh = 25	Where lh = 30	Where lh = 40	Where lh = 50	Where lh = 60
			h = 18	h = 18,5	h = 20	h = 25	h = 30	h = 40	h = 50	h = 60
CC0050.M0200	0	25	18	18,5	20	25	30	40	50	60
CC0050.M0206	6	25	24	24,5	26	31	36	46	56	66
CC0050.M0296	-6	25	12	12,5	14	19	24	34	44	54
CC0050.M0307	7	30	25	25,5	27	32	37	47	57	67

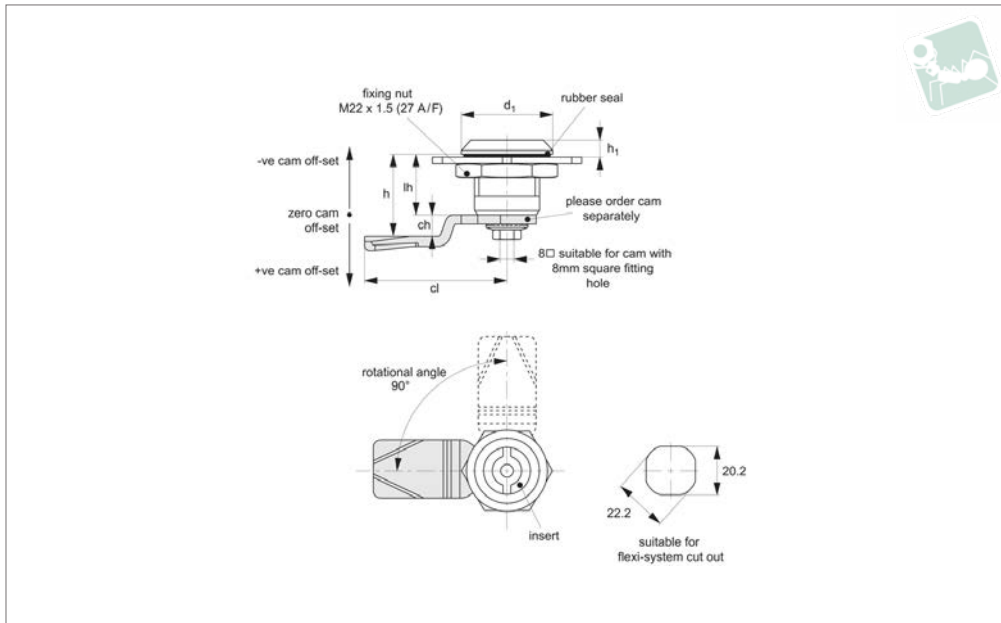




Cam Latches - Flexi-System

insert driver - fixed grip - zinc

Latches



CC0400

LATCHES

Material

Body & insert: die cast zinc. Finished in chrome plate or black powder coating. Insert fitted with O'ring to achieve IP54 rating. Internal spring provides 1,5mm torsion.

Supplied with: Nut: steel, zinc plated. Sealing washer: PU and rubber.

Not supplied: CAM nor KEY - order separately.

Technical Notes

Order cam and key separately.

Cams: see suitable cam CC0020, and CC0040. Select „without projection“ cam type.

Dimensions ch and cl relate to cam. Use formula to calculate ch (required cam off-set), and refer to cam selection chart;

ch = h - lh where;

ch = required cam off-set/height.

h = grip length (distance between inside of latch face and front of cam).

lh = body length of cam latch/lock to be used (see product table below).

Keys: see CC0010.

Rods & Guides: to achieve 3-point latching - CC0340, CC0350, CC0355.

Important Notes

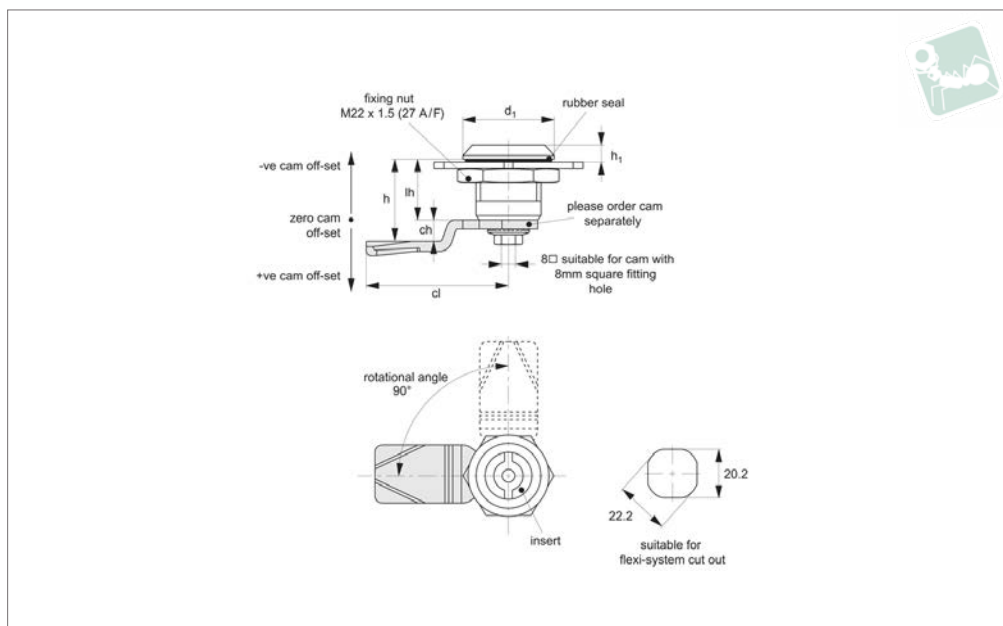
Extended body version - CC0460.

Sold subject to pack quantity.

Order No.	Finish	Insert driver	d ₁	h ₁	lh
CC0400.M0010	Chrome Plated	Square 7	28	6	18
CC0400.M0310	Black Coated	Square 7	28	6	18
CC0400.M0020	Chrome Plated	Square 8	28	6	18
CC0400.M0320	Black Coated	Square 8	28	6	18
CC0400.M0040	Chrome Plated	Triangle 7	28	6	18
CC0400.M0340	Black Coated	Triangle 7	28	6	18
CC0400.M0050	Chrome Plated	Triangle 8	28	6	18
CC0400.M0350	Black Coated	Triangle 8	28	6	18
CC0400.M0060	Chrome Plated	3mm Double Bit	28	6	18
CC0400.M0360	Black Coated	3mm Double Bit	28	6	18
CC0400.M0070	Chrome Plated	4mm Double Bit	28	6	18
CC0400.M0370	Black Coated	4mm Double Bit	28	6	18
CC0400.M0080	Chrome Plated	Slotted (2x4)	28	6	18
CC0400.M0380	Black Coated	Slotted (2x4)	28	6	18



CC0410



Material

Body: polyamide plastic, black.

Insert: zinc alloy, black coated. Fitted with O'ring to achieve IP54 rating. Internal spring provides 1,5mm torsion.

Supplied with: Nut: steel, zinc plated.

Sealing washer: PU & Rubber.

Not supplied: CAM nor KEY - order separately.

Technical Notes

Order cam and key separately.

Cams: see suitable cam CC0020, and CC0040. Select „without projection“ cam type.

Dimensions ch and cl relate to cam. Use formula to calculate ch (required cam off-set), and refer to cam selection chart;

$ch = h - lh$ where;

ch = required cam off-set/height.

h = grip length (distance between inside of latch face and front of cam).

lh = body length of cam latch/lock to be

used (see product table below).

Keys: see CC0010.

Rods & Guides: to achieve 3-point latching - CC0340, CC0350, CC0355.

Important Notes

An inexpensive alternative to stainless steel, where water or other solutions may cause corrosion.

Sold subject to pack quantity.

Order No.	Insert driver	d_1	h_1	lh
CC0410.M0010	Square 7	28	6	18
CC0410.M0020	Square 8	28	6	18
CC0410.M0040	Triangle 7	28	6	18
CC0410.M0050	Triangle 8	28	6	18
CC0410.M0060	3mm Double Bit	28	6	18
CC0410.M0070	4mm Double Bit	28	6	18
CC0410.M0080	Slotted (2x4)	28	6	18










Cam Latches - Flexi-System

insert driver - fixed grip - plastic

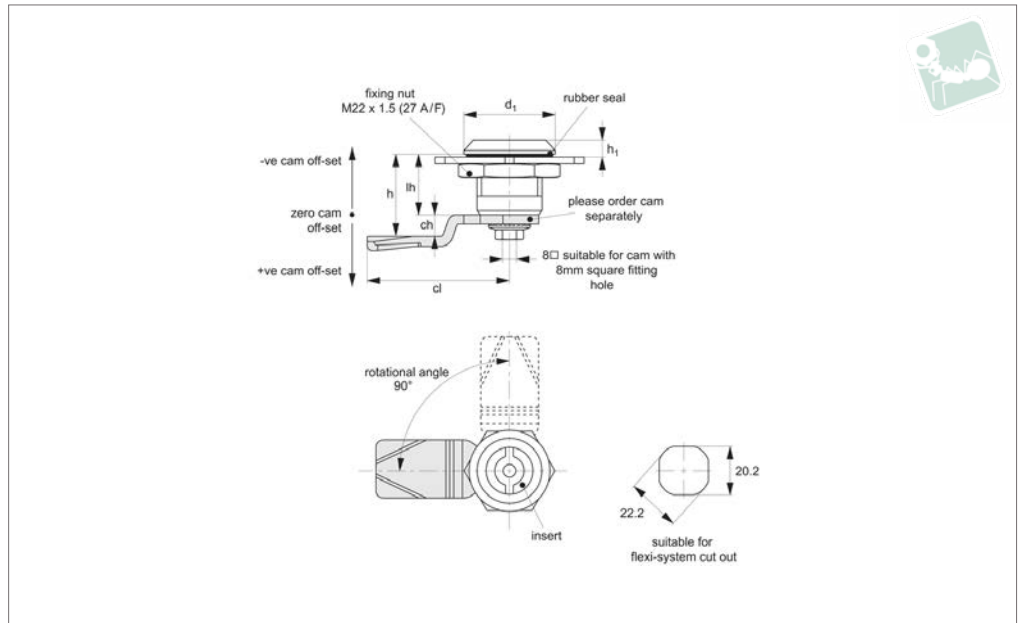
Latches

Available insert drivers:

Square 7	Square 8	Triangle 7	Triangle 8	3mm Double Bit	4mm Double Bit	2 x 4mm Slotted
						



CC0420



Material

Body & Insert: stainless steel, AISI 304.
 Insert fitted with O'ring to achieve IP54 rating. Internal spring provides 1,5mm torsion.

Supplied with: Nut: stainless steel.

Sealing washer: PU & Rubber.

Not supplied: CAM nor KEY - order separately.

Technical Notes

Order cam and key separately.

Cams: see suitable cam CC0022. Select „without projection“ cam type.

Dimensions ch and cl relate to cam. Use formula to calculate ch (required cam off-set), and refer to cam selection chart;

ch = h - lh where;

ch = required cam off-set/height.

h = grip length (distance between inside of latch face and front of cam).

lh = body length of cam latch/lock to be used (see product table below).

Keys: see CC0010.

Rods & Guides: to achieve 3-point latching - CC0340, CC0350, CC0355.

Order No.	Insert driver	d ₁	h ₁	lh
CC0420.M0020	Square 8	28	6	18
CC0420.M0040	Triangle 7	28	6	18
CC0420.M0050	Triangle 8	28	6	18
CC0420.M0060	3mm Double Bit	28	6	18
CC0420.M0070	4mm Double Bit	28	6	18

Available insert drivers:

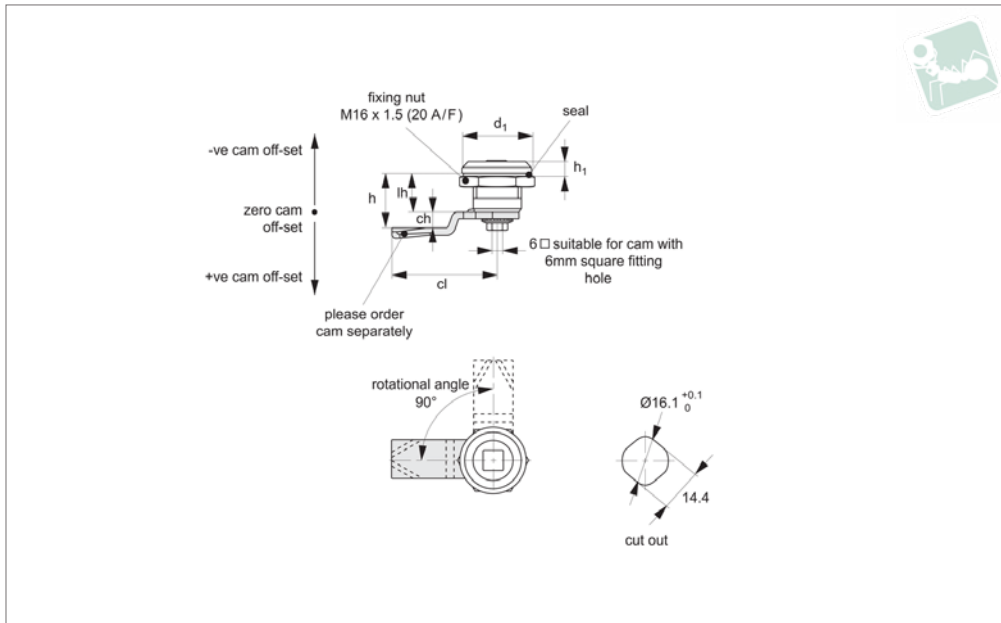
Square 8	Triangle 7	Triangle 8	3mm Double Bit	4mm Double Bit
8	6.5	8	Ø 3	Ø 4



Mini Cam Latches

insert driver - fixed grip

Latches



CC0500

LATCHES

Material

Type one: Body & insert: die cast zinc, chrome plated or black powder coated.

Supplied with: Keys: two per lock.

Not supplied: CAM - order separately.

Technical Notes

Order cam and key separately.

Cams: see suitable cam CC0050. Select „with projection“ cam type to prevent cam

rotating over 45°.

Dimensions ch and cl relate to cam. Use formula to calculate ch (required cam off-set), and refer to cam selection chart;

ch = h - lh where;

ch = required cam off-set/height.

h = grip length (distance between inside of latch face and front of cam).

lh = body length of cam latch/lock to be

used (see product table below).

Keys: see CC0010.

Tips

Mini cam latches for any application; securing doors, cabinets etc. Quarter-turn opening or closing.

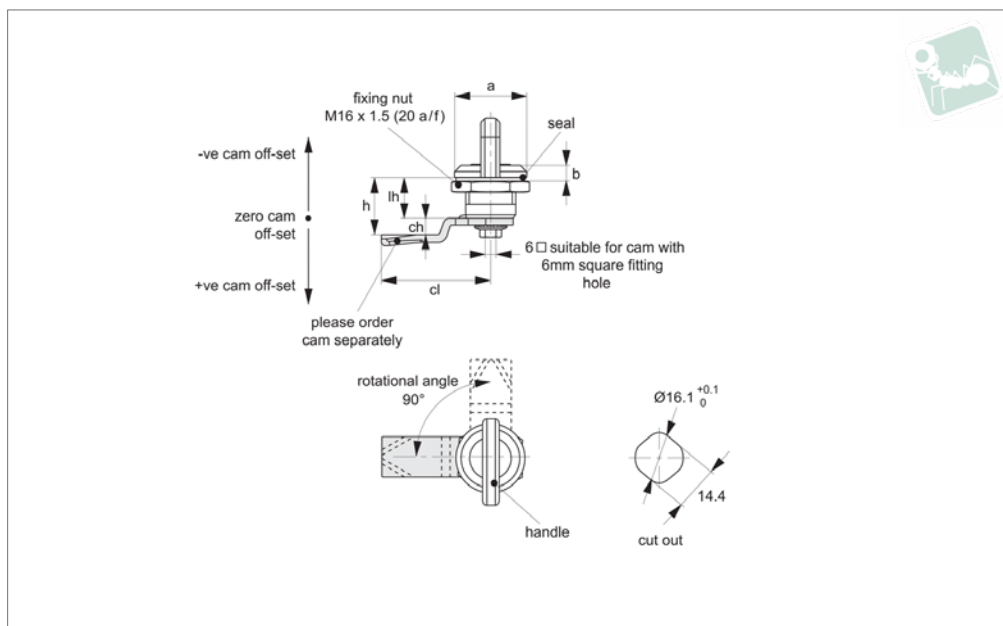
Important Notes

Sold subject to pack quantity.

Order No.	Insert driver	Finish	d ₁	h ₁	h ₃
CC0500.M0006	Square 6	Chrome	20	4	12.5
CC0500.M0078	Slot (2x4)	Chrome	20	4	12.5
CC0500.M0306	Square 6	Black Coated	20	4	12.5
CC0500.M0378	Slot (2x4)	Black Coated	20	4	12.5



CC0502



Material

Body & insert: die cast zinc, chrome plated or black powder coated.

Handle: black plastic, PA6.

Not supplied: CAM - order separately.

Technical Notes

Order cam separately.

Cams: see suitable cam CC0050. Select „with projection“ cam type to prevent cam

rotating over 45°.

Dimensions ch and cl relate to cam. Use formula to calculate ch (required cam off-set), and refer to cam selection chart;

ch = h - lh where;

ch = required cam off-set/height.

h = grip length (distance between inside of latch face and front of cam).

lh = body length of cam latch/lock to be

used (see product table below).

Tips

Wing knob actuates lock, and also acts as knob/handle.

Important Notes

Sold subject to pack quantity.

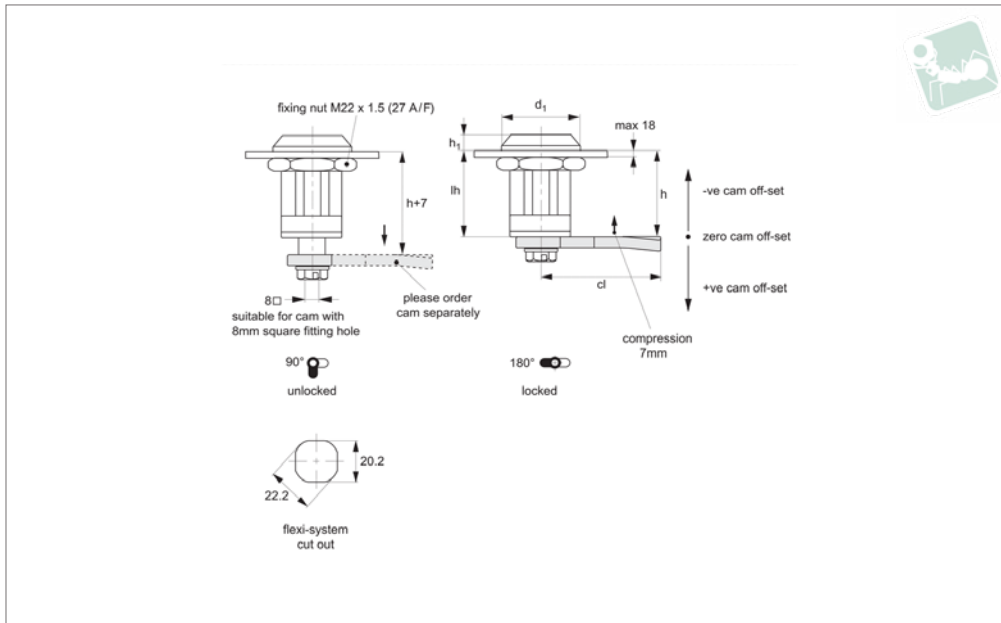
Order No.	Handle	Body	a	b	lh
CC0502.M0120	Black Plastic	Black Powder	20	4	12.5



Compression Latches - Flexi-System

insert driver - fixed grip - zinc

Latches



CC0800

LATCHES

Material

Body & insert: die cast zinc, finished in chrome plate or black powder coating.
Insert fitted with O'ring to provide IP54 rating.

Handle: polyamide.

Not supplied: CAM nor KEY - order separately.

Technical Notes

Order cam and key separately.

Cams: see suitable cam CC0020 and .

Select „without projection“ cam type.

Dimensions ch and cl relate to cam. Use formula to calculate ch (required cam off-set), and refer to cam selection chart;

$ch = h - lh$ where;

ch = required cam off-set/height.

h = grip length (distance between inside of latch face and front of cam).

lh = body length of cam latch/lock to be used (see product table below).

Keys: see CC0010.

Tips

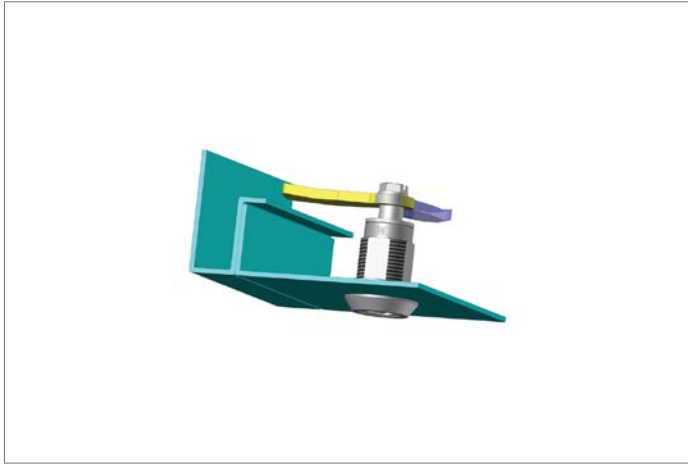
Compression locks provide sealing of enclosures to reduce vibration and to provide noise isolation.

Action:

From unlocked position, first 90° turn moves the cam to the locking position. Turn lock 180° to engage compression, cam moves to final fixing position.

Provides a 7mm compression stroke.

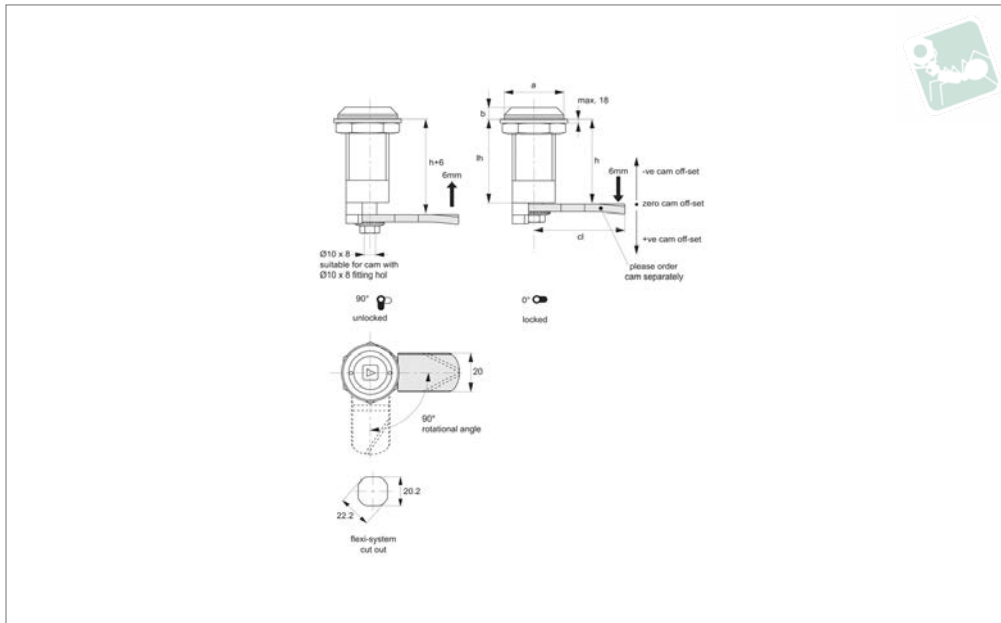
Order No.	Finish	Insert driver	d_1	h_1	lh
CC0800.M0020	Chrome Plated	Square 8	28	5.5	31
CC0800.M0320	Black Coated	Square 8	28	5.5	31
CC0800.M0040	Chrome Plated	Triangle 7	28	5.5	31
CC0800.M0340	Black Coated	Triangle 7	28	5.5	31
CC0800.M0050	Chrome Plated	Triangle 8	28	5.5	31
CC0800.M0350	Black Coated	Triangle 8	28	5.5	31
CC0800.M0080	Chrome Plated	Slot (2x4)	28	5.5	31
CC0800.M0380	Black Coated	Slot (2x4)	28	5.5	31
CC0800.M0085	Chrome Plated	Hexagon 8	28	5.5	31
CC0800.M0385	Black Coated	Hexagon 8	28	5.5	31





Compression Latches - Flexi-System

insert driver - fixed grip - stainless steel



CC0802

LATCHES

Material

Body & insert: stainless steel, AISI 304.
 Insert fitted with O'ring to provide IP54 rating.
 Shaft: steel, white zinc plated.
Not supplied: KEY - order separately.

Technical Notes

Order cam and key separately.
Cams: see suitable cam CC0030 and A0233.
 Select „without projection“ cam type.
 Dimensions ch and cl relate to cam. Use

formula to calculate ch (required cam off-set), and refer to cam selection chart;
 $ch = h - lh$ where;
ch = required cam off-set/height.
h = grip length (distance between inside of latch face and front of cam).
lh = body length of cam latch/lock to be used (see product table below).
Keys: see CC0010.

Tips

Compression locks provide sealing of

enclosures to reduce vibration and to provide noise isolation.

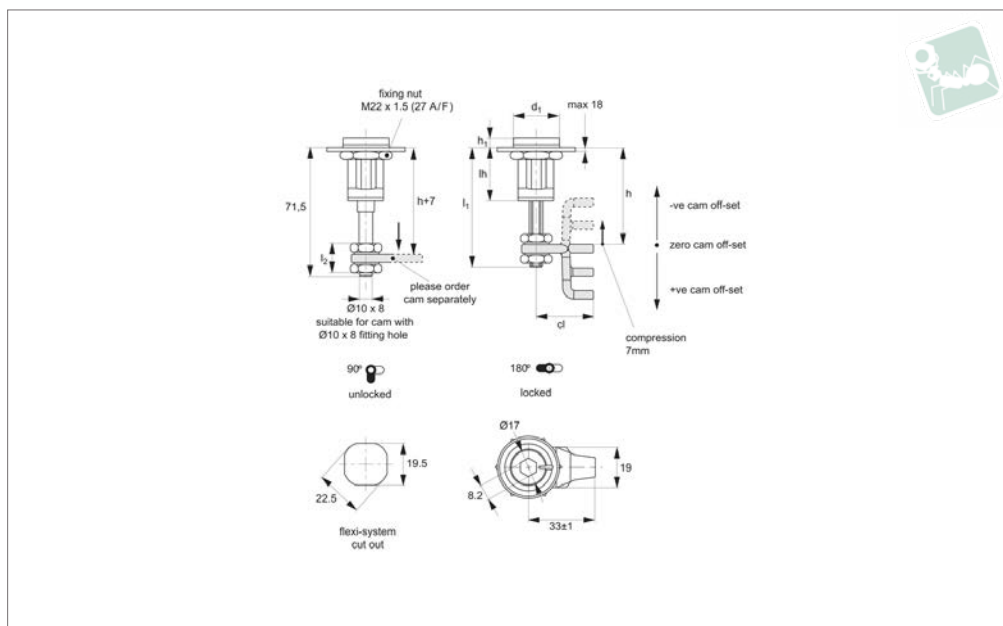
Action:

From unlocked position, first 90° turn moves the cam to the locking position. Turn lock 180° to engage compression, cam moves to final fixing position.
Provides a 6mm compression stroke.

Order No.	Insert driver	Type	a	b	lh
CC0802.M0020	Square 8	Fixed Grip	28	5	38
CC0802.M0050	Triangle 8	Fixed Grip	28	5	38



CC0810



Material

Body & insert: die cast zinc, chrome plate or black coated finish. Insert fitted with O'ring to provide IP54 rating.

Handle: polyamide.

Not supplied: CAM nor KEY - order separately.

Technical Notes

Order cam and key separately.

Cams: see suitable cam CC0030 and A0233.

Select „without projection“ cam type.

Dimensions ch and cl relate to cam. Use

formula to calculate ch (required cam off-set), and refer to cam selection chart;

ch = h - lh where;

ch = required cam off-set/height.

h = grip length (distance between inside of latch face and front of cam).

lh = body length of cam latch/lock to be used (see product table below).

Keys: see CC0010.

Tips

Compression locks provide sealing of enclosures to reduce vibration and to

provide noise isolation. Adjustable grip type has an extended stem which can be cut in length to best suit your application.

Action:

From unlocked position, first 90° turn moves the cam to the locking position. Turn lock 180° to engage compression, cam moves to final fixing position.

Provides a 7mm compression stroke.

Important Notes

Cam: quarter turn to open or close. Locking function.

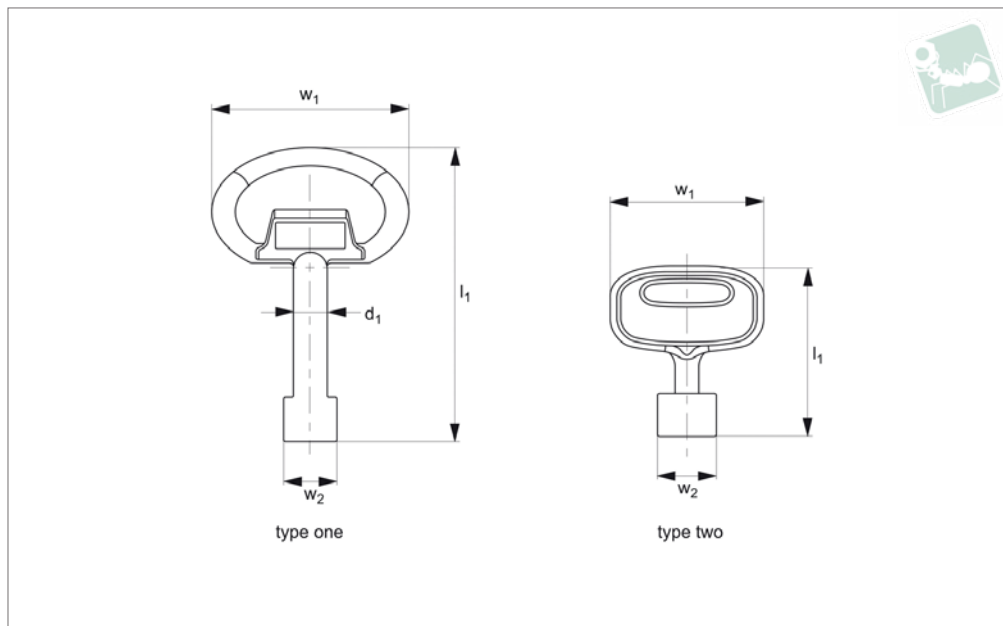
Order No.	Finish	Insert driver	d ₁	h ₁	lh	l ₁	l ₂ useful thread
CC0810.M0020	Chrome Plated	Square 8	28	4.5	32	64.5	15
CC0810.M0320	Black Coated	Square 8	28	4.5	32	64.5	15
CC0810.M0040	Chrome Plated	Triangle 7	28	4.5	32	64.5	15
CC0810.M0340	Black Coated	Triangle 7	28	4.5	32	64.5	15
CC0810.M0050	Chrome Plated	Triangle 8	28	4.5	32	64.5	15
CC0810.M0350	Black Coated	Triangle 8	28	4.5	32	64.5	15
CC0810.M0080	Chrome Plated	Slot (2x4)	28	4.5	32	64.5	15
CC0810.M0380	Black Coated	Slot (2x4)	28	4.5	32	64.5	15
CC0810.M0085	Chrome Plated	Hexagon 8	28	4.5	32	64.5	15
CC0810.M0385	Black Coated	Hexagon 8	28	5.5	31	64.5	15



Keys - Flexi-System

for cam latches and locks - zinc

Latches



CC0010

LATCHES

Material

Die cast zinc.

Technical Notes

Keys for our range of cam latches. For slot

type cam latches no special key required - simply use flat head screwdriver.

Note: For part .AW0006 (Square 6) use key CC0010.AW0206 only.

Important Notes

Sold subject to pack quantity.

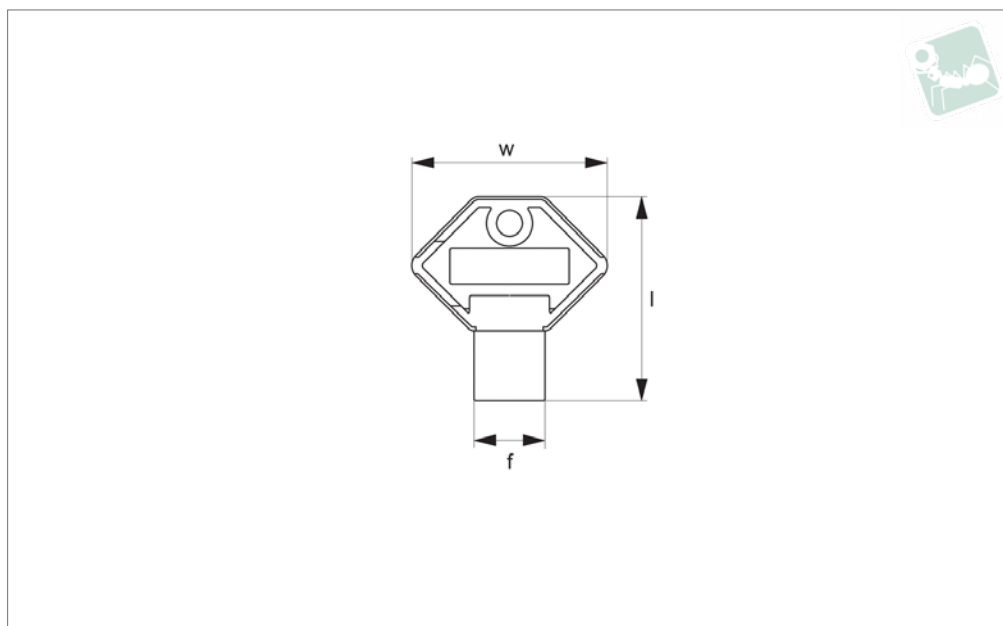
Order No.	Insert driver	Type	d ₁	l ₁	w ₁	w ₂
CC0010.M0006	Square 6	Type One	9	74.5	49	13.8
CC0010.M0010	Square 7	Type One	9	74.5	49	13.8
CC0010.M0020	Square 8	Type One	9	74.5	49	13.8
CC0010.M0040	Triangle 7	Type One	9	74.5	49	13.8
CC0010.M0050	Triangle 8	Type One	9	74.5	49	13.8
CC0010.M0055	Triangle 9	Type One	9	74.5	49	13.8
CC0010.M0060	3mm Double Bit	Type One	9	70.0	49	13.2
CC0010.M0090	8mm Hex Pin	Type One	9	74.5	49	13.8
CC0010.M0100	10mm Hex Socket	Type One	9	74.5	49	13.8
CC0010.M0306	Square 6	Type two	9	32.0	30	11.0

Available insert drivers:

Square 6	Square 7	Square 8	Triangle 7	Triangle 8	Triangle 9	3-5mm Double Bit	Hexagon 8 with pin	10mm Hex. Socket	2 x 4mm Slotted
6	7	8	6.5	8	9	∅ 3-5	8	10	



CC0013



Material

Body: plastic.

type cam latches no special key required - simply use flat head screwdriver.

Technical Notes

Keys for our range of cam latches. For slot

Important Notes

Sold subject to pack quantity.

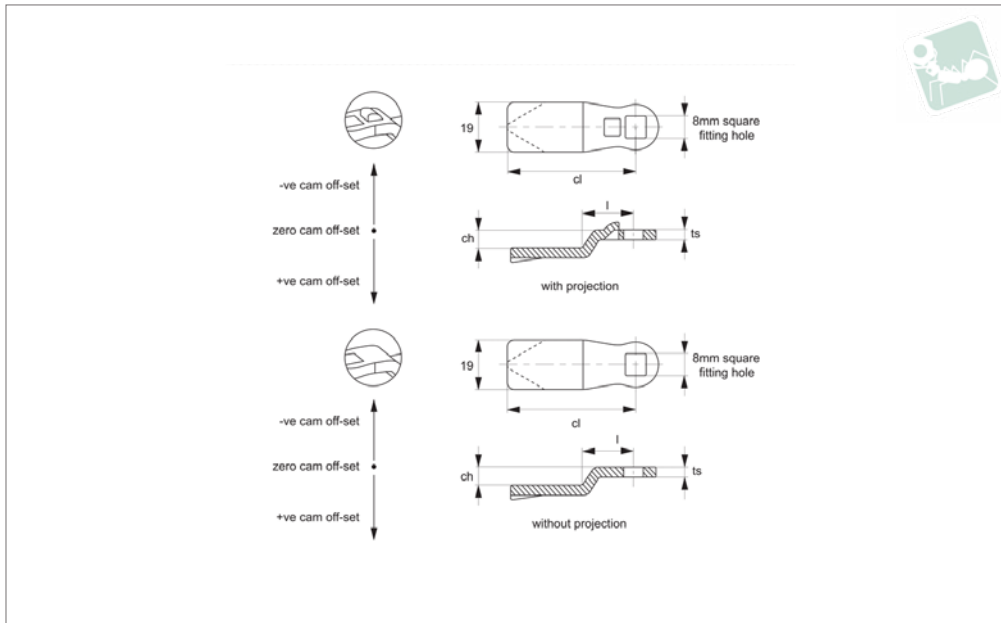
Order No.	Insert driver	f	l	w
CC0013.M0040	7mm Triangle	40	41.5	40
CC0013.M0006	6mm Square	40	41.5	40
CC0013.M0010	7mm Square	40	41.5	40
CC0013.M0020	8mm Square	40	41.5	40



Single Point Cams - Flexi-System

for cam latches and locks - steel - 8 x 8 Sq.

Latches



CC0020

LATCHES

Material

Steel, zinc plated.

Technical Notes

Use formula to calculate ch (required cam off-set), and select from product table below;

$ch = h - lh$ where;

ch = required cam off-set/height.

h = grip length (distance between inside of latch face and front of cam).

lh = body length of cam latch/lock to be used (see individual latch/lock product table).

Refer to installation drawing below.

Important Notes

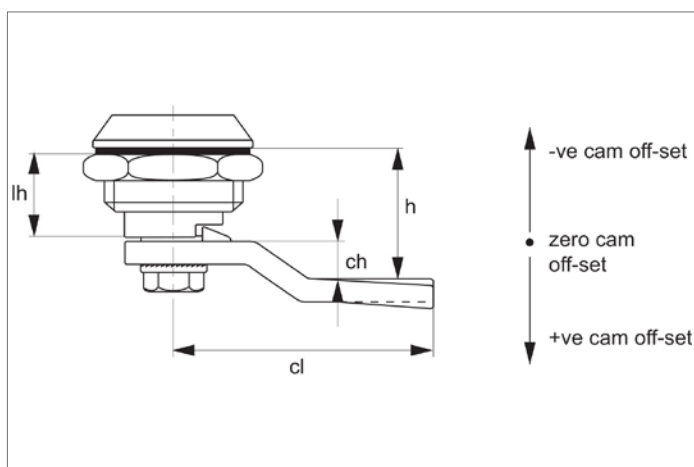
Suitable for Flexi-System latches. „With projection“ type ensures correct location and prevents cam rotating over 45°. **See cam selection chart for specific latch/lock suitability.**

Sold subject to pack quantity.

Order No.	Type	ch	cl	ts	Where lh = 18	Where lh = 18,5	Where lh = 20	Where lh = 24	Where lh = 30	Where lh = 40	Where lh = 50	Where lh = 60
CC0020.M0400	With Projection	0	45	3	18.0	18.5	20.0	24	30	40	50	60
CC0020.M0402	With Projection	2	45	3	20.5	22.0	26.0	32	42	52	62	52
CC0020.M0403	With Projection	3	45	3	21.0	21.5	23.0	27	33	43	53	63
CC0020.M0404	With Projection	4	45	3	22.0	22.5	24.0	28	34	44	54	64
CC0020.M0406	With Projection	6	45	3	24.0	24.5	26.0	30	36	46	56	66
CC0020.M0407	With Projection	7	45	3	25.0	25.5	27.0	31	37	47	57	67
CC0020.M0408	With Projection	8	45	3	26.0	26.5	28.0	32	38	48	58	68
CC0020.M0410	With Projection	10	45	3	28.0	28.5	30.0	34	40	50	60	70
CC0020.M0412	With Projection	12	45	3	30.0	30.5	32.0	36	42	52	62	72
CC0020.M0414	With Projection	14	45	3	32.0	32.5	34.0	38	44	54	64	74
CC0020.M0416	With Projection	16	45	3	34.0	34.5	36.0	40	46	56	66	76
CC0020.M0418	With Projection	18	45	3	36.0	36.5	38.0	42	48	58	68	78
CC0020.M0420	With Projection	20	45	3	38.0	38.5	40.0	44	50	60	70	80
CC0020.M1402	With Projection	-2	45	3	16.0	16.5	18.0	22	28	38	48	58
CC0020.M5300	W/o Projection	0	35	4	18.0	18.5	20.0	24	30	40	50	60



Order No.	Type	ch	cl	ts	Where lh = 18	Where lh = 18,5	Where lh = 20	Where lh = 24	Where lh = 30	Where lh = 40	Where lh = 50	Where lh = 60
CC0020.M5302	W/o Projection	2	35	4	20.0	20.5	22.0	26	32	42	52	62
CC0020.M5304	W/o Projection	4	35	4	22.0	22.5	24.0	28	34	44	54	64
CC0020.M5306	W/o Projection	6	35	4	24.0	24.5	26.0	30	36	46	56	66
CC0020.M5310	W/o Projection	10	35	4	28.0	28.5	30.0	34	40	50	60	70
CC0020.M5400	W/o Projection	0	45	3	18.0	18.5	20.0	24	30	40	50	60
CC0020.M5402	W/o Projection	2	45	3	20.0	20.5	22.0	26	32	42	52	62
CC0020.M5404	W/o Projection	4	45	3	22.0	22.5	24.0	28	34	44	54	64
CC0020.M5406	W/o Projection	6	45	3	24.0	24.5	26.0	30	36	46	56	66
CC0020.M5407	W/o Projection	7	45	3	25.0	25.5	27.0	31	37	47	57	67
CC0020.M5408	W/o Projection	8	45	3	26.0	26.5	28.0	32	38	48	58	68
CC0020.M5410	W/o Projection	10	45	3	28.0	28.5	30.0	34	40	50	60	70
CC0020.M5412	W/o Projection	12	45	3	30.0	30.5	32.0	36	42	52	62	72
CC0020.M5414	W/o Projection	14	45	3	32.0	32.5	34.0	38	44	54	64	74
CC0020.M5416	W/o Projection	16	45	3	34.0	34.5	36.0	40	46	56	66	76
CC0020.M5418	W/o Projection	18	45	3	36.0	36.5	38.0	42	48	58	68	78
CC0020.M5420	W/o Projection	20	45	3	38.0	38.5	40.0	44	50	60	70	80
CC0020.M6302	W/o Projection	-2	35	4	16.0	16.5	18.0	22	28	38	48	64
CC0020.M6402	W/o Projection	-2	45	3	16.0	16.5	18.0	22	28	38	48	58
CC0020.M6404	W/o Projection	-4	45	4	14.0	14.5	16.0	20	26	36	46	56
CC0020.M6406	W/o Projection	-6	45	4	12.0	12.5	14.0	18	24	34	44	54
CC0020.M6408	W/o Projection	-8	45	4	10.5	12.0	16.0	22	32	42	52	52

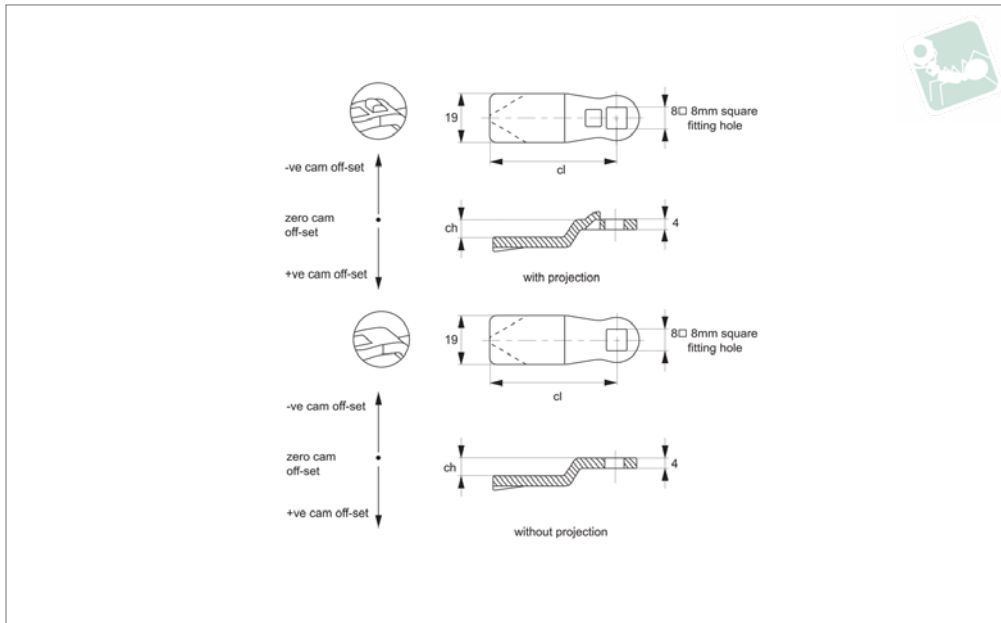




Single Point Cams - Flexi-System

for cam latches and locks - stainless steel - 8 x 8

Latches



CC0022

LATCHES

Material

Stainless steel, AISI 304.

Technical Notes

Use formula to calculate ch (required cam off-set), and select from product table below;

$ch = h - lh$ where;

ch = required cam off-set/height.

h = grip length (distance between inside of latch face and front of cam).

lh = body length of cam latch/lock to be used (see individual latch/lock product table).

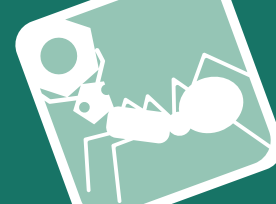
Refer to installation drawing below.

Important Notes

Suitable for Flexi-System latches. „With projection“ type ensures correct location and prevents cam rotating over 45°. See **cam selection chart for specific latch/lock suitability.**

Sold subject to pack quantity.

Order No.	Type	ch	cl	Where lh = 18 h =	Where lh = 18,5 h =	Where lh = 20 h =	Where lh = 25 h =	Where lh = 30 h =	Where lh = 40 h =	Where lh = 50 h =	Where lh = 60 h =
CC0022.M0400	With Projection	0	45	18	18.5	20	25	30	40	50	60
CC0022.M0420	Without Projection	0	45	18	18.5	20	25	30	40	50	60
CC0022.M0402	With Projection	2	45	20	20.5	22	27	32	42	52	62
CC0022.M0423	Without Projection	2	45	20	20.5	22	27	32	42	52	62
CC0022.M0404	With Projection	4	45	22	22.5	24	29	34	44	54	64
CC0022.M0424	Without Projection	4	45	22	22.5	24	29	34	44	54	64
CC0022.M0406	With Projection	6	45	24	24.5	26	31	36	46	56	66
CC0022.M0426	Without Projection	6	45	24	24.5	26	31	36	46	56	66
CC0022.M0408	With Projection	8	45	26	26.5	28	33	38	48	58	68
CC0022.M0428	Without Projection	8	45	26	26.5	28	33	38	48	58	68
CC0022.M0410	With Projection	10	45	28	28.5	30	35	40	50	60	70
CC0022.M0430	Without Projection	10	45	28	28.5	30	35	40	50	60	70
CC0022.M0412	With Projection	12	45	30	30.5	32	37	42	52	62	72
CC0022.M0432	Without Projection	12	45	30	30.5	32	37	42	52	62	72
CC0022.M0434	Without Projection	14	45	32	32.5	34	39	44	54	64	74



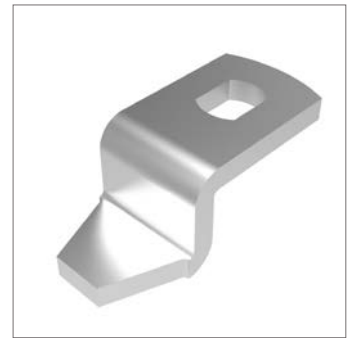
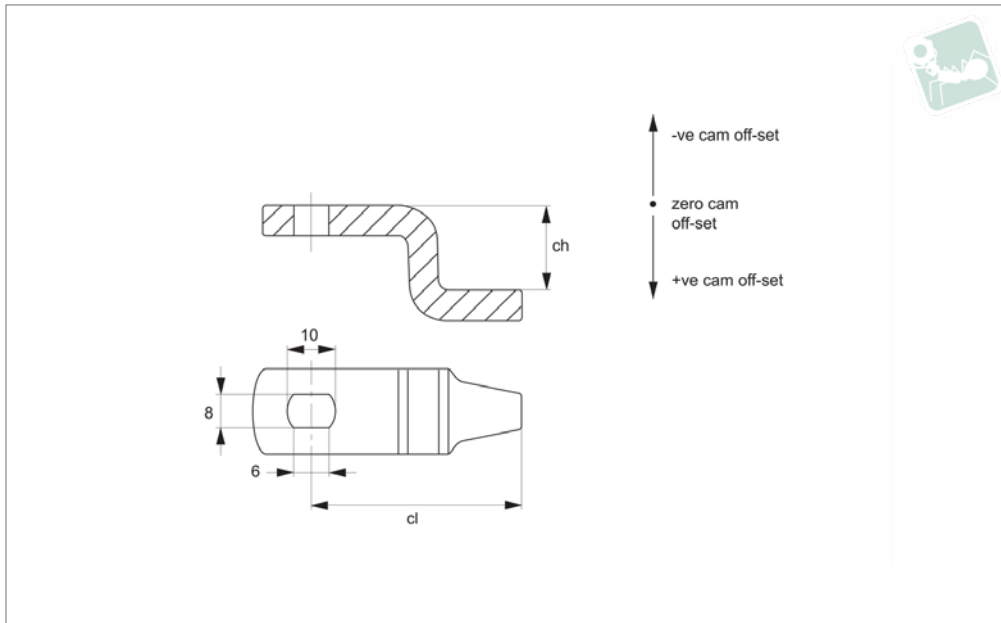
Order No.	Type	ch	cl	Where lh = 18 h =	Where lh = 18,5 h =	Where lh = 20 h =	Where lh = 25 h =	Where lh = 30 h =	Where lh = 40 h =	Where lh = 50 h =	Where lh = 60 h =
CC0022.M0436	Without Projection	16	45	34	34.5	36	41	46	56	66	76
CC0022.M0438	Without Projection	18	45	36	36.5	38	43	48	58	68	78
CC0022.M0500	With Projection	20	45	38	38.5	40	45	50	60	70	80
CC0022.M0520	Without Projection	20	45	38	38.5	40	45	50	60	70	80
CC0022.M0002	Without Projection	-2	45	16	16.5	18	23	28	38	48	58



Single Point Cams - Steel

for adjustable grip compression cam latches

Latches



CC0030

LATCHES

Material

Steel, zinc plated.

Technical Notes

Use formula to calculate ch (required cam off-set), and select from product table below;

$ch = h - lh$ where;

ch = required cam off-set/height.

h = grip length (distance between inside of

latch face and front of cam).

lh = body length of cam latch/lock to be used (see individual latch/lock product table).

Refer to installation drawing below.

Important Notes

Suitable for adjustable grip compression cam latches CC0802, CC0810, , .

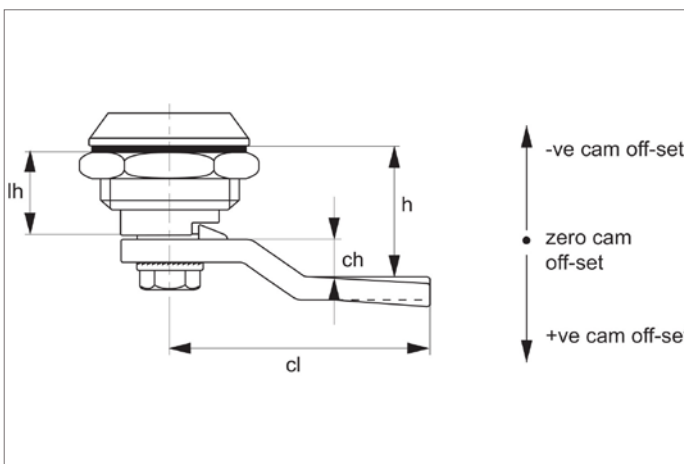
See cam selection chart for specific

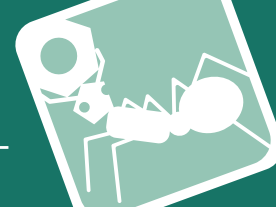
latch/lock suitability.

Installation hole is rectangular 6mmx4mm.

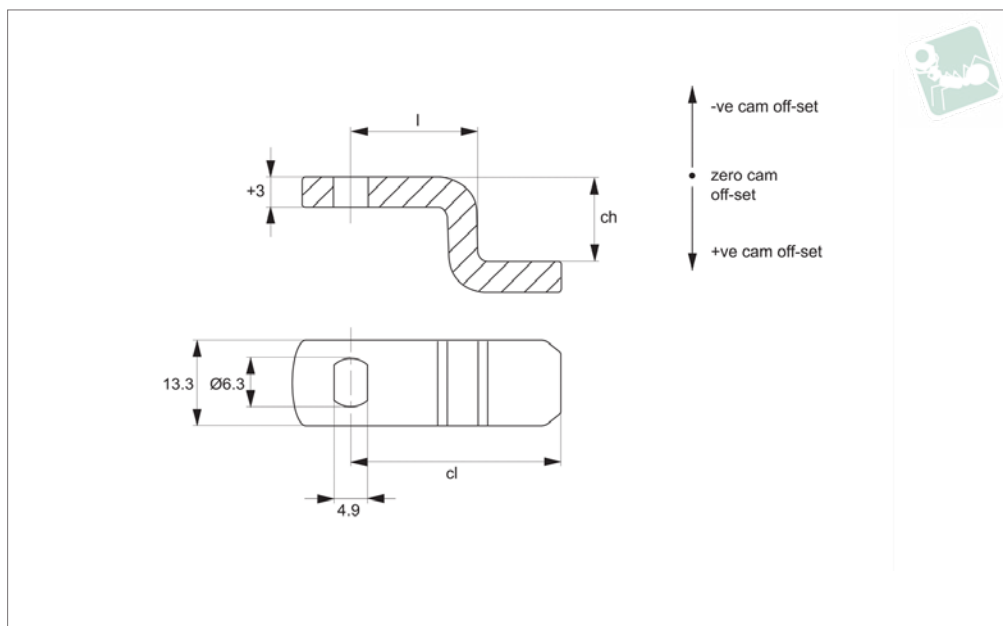
Please note due to design of the single point cam, it is not possible to use +ve offset cam in reverse/upside down as it results in a clash with the body of the cam latch- making it inoperable.

Order No.	ch	cl	Where $lh = 32$
CC0030.M0300	0	33	32
CC0030.M0314	14	33	46
CC0030.M0327	27	33	59





CC0034



Material

Steel, zinc plated.

Technical Notes

Use formula to calculate ch (required cam off-set), and select from product table below;

ch = h - lh where;

ch = required cam off-set/height.

h = grip length (distance between inside of

latch face and front of cam).

lh = body length of cam latch/lock to be used (see individual latch/lock product table).

Refer to installation drawing above.

Important Notes

Suitable for adjustable grip mini compression cam latches A1660 and A1666. **See cam selection chart for specific latch/**

lock suitability.

Sold subject to pack quantity.

Installation hole is rectangular 6mmx4mm.

Please note due to design of the single point cam, it is not possible to use +ve offset cam in reverse/upside down as it results in a clash with the body of the cam latch- making it inoperable.

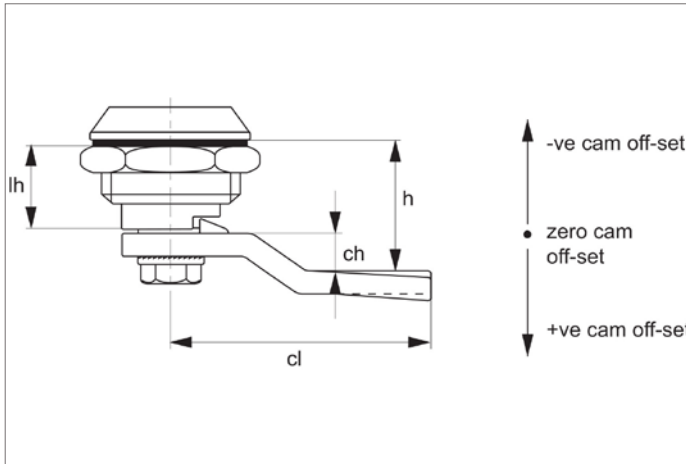
Order No.	Type	ch	cl	l	ts	Where lh = 22,5 min. h =
CC0034.M0300	+ve offset	0	23	10	2.8	22.5
CC0034.M0301	+ve offset	1	23	10	2.8	23.5
CC0034.M0303	+ve offset	4	23	10	2.8	26.5
CC0034.M0307	+ve offset	7	23	10	2.8	29.5
CC0034.M0310	+ve offset	10	23	10	2.8	32.5
CC0034.M0313	+ve offset	13	23	10	2.8	35.5
CC0034.M0316	+ve offset	16	23	10	2.8	38.5
CC0034.M0320	+ve offset	20	23	10	2.8	42.5
CC0034.M0323	+ve offset	23	23	10	2.8	45.5

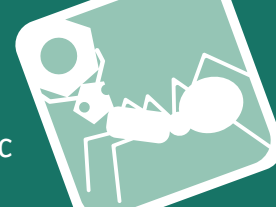


Single Point Cams - Steel

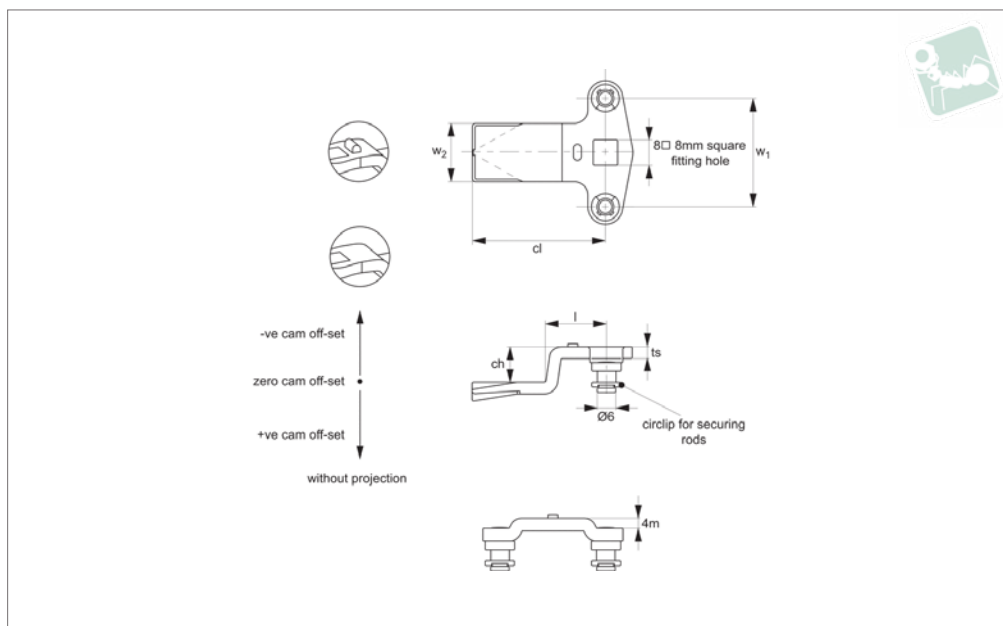
for adjustable grip mini compression cam latches -

Latches





CC0040



Material

Steel, zinc plated.
Size: 8 x 8 Sq.

Technical Notes

Use formula to calculate ch (required cam off-set), and select from product table below;

$ch = h - lh$ where;

ch = required cam off-set/height.

h = grip length (distance between inside of latch face and front of cam).

lh = body length of cam latch/lock to be used (see individual latch/lock product table).

Important Notes

Suitable for Flexi-System latches. „With projection“ type ensures correct location and prevents cam rotating over 45°. **See cam selection chart for specific latch/lock suitability.**

Sold subject to pack quantity.

Order No.	Type	ch	cl	l	ts	w ₁	w ₂
CC0040.M0000	With Projection	0	45	20	4	36	20
CC0040.M0004	With Projection	4	45	20	4	36	20
CC0040.M0008	With Projection	8	45	20	4	36	20
CC0040.M0010	With Projection	10	45	20	4	36	20
CC0040.M0012	With Projection	12	45	20	4	36	20
CC0040.M0014	With Projection	14	45	20	4	36	20
CC0040.M0016	With Projection	16	45	20	4	36	20
CC0040.M0020	With Projection	20	45	20	4	36	20
CC0040.M0022	With Projection	22	45	20	4	36	20
CC0040.M0100	W/o Projection	0	45	20	4	36	20
CC0040.M0104	W/o Projection	4	45	20	4	36	20
CC0040.M0108	W/o Projection	8	45	20	4	36	20
CC0040.M0110	W/o Projection	10	45	20	4	36	20
CC0040.M0120	W/o Projection	12	45	20	4	36	20
CC0040.M0140	W/o Projection	14	45	20	4	36	20
CC0040.M0160	W/o Projection	16	45	20	4	36	20
CC0040.M0200	W/o Projection	20	45	20	4	36	20
CC0040.M0220	W/o Projection	22	45	20	4	36	20

Order No.	Where lh = 18	Where lh = 18,5	Where lh = 20	Where lh = 25	Where lh = 30	Where lh = 40	Where lh = 50	Where lh = 60
	h =	h =	h =	h =	h =	h =	h =	h =
CC0040.M0000	18	18.5	20	25	30	40	50	60
CC0040.M0004	22	22.5	24	29	34	44	54	64
CC0040.M0008	26	26.5	28	33	38	48	58	68
CC0040.M0010	28	28.5	30	35	40	50	60	70
CC0040.M0012	30	30.5	32	37	42	52	62	72
CC0040.M0014	32	32.5	34	39	44	54	64	74
CC0040.M0016	34	34.5	36	41	46	56	66	76
CC0040.M0020	38	38.5	40	45	50	60	70	80
CC0040.M0022	40	40.5	42	47	52	62	72	82

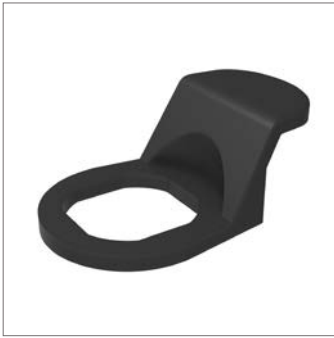


Two Point Cams - Flexi-System

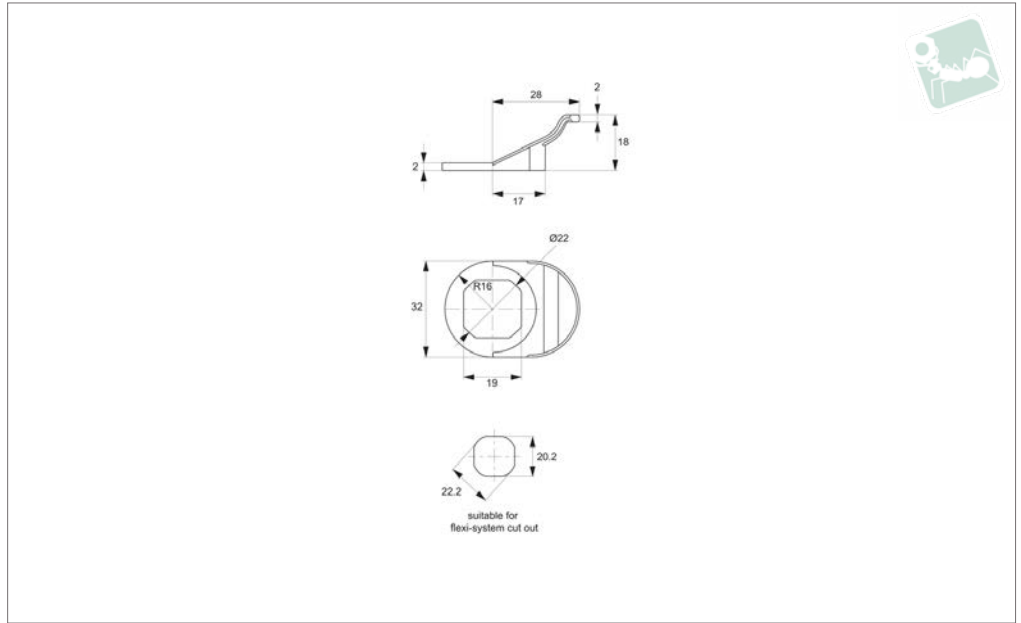
for 3-point latching of cam latches and locks - zinc

Latches

Order No.	Where lh = 18	Where lh = 18,5	Where lh = 20	Where lh = 25	Where lh = 30	Where lh = 40	Where lh = 50	Where lh = 60
	h =	h =	h =	h =	h =	h =	h =	h =
CC0040.M0100	18	18.5	20	25	30	40	50	60
CC0040.M0104	22	22.5	24	29	34	44	54	64
CC0040.M0108	26	26.5	28	33	38	48	58	68
CC0040.M0110	28	28.5	30	35	40	50	60	70
CC0040.M0120	30	30.5	32	37	42	52	62	72
CC0040.M0140	32	32.5	34	39	44	54	64	74
CC0040.M0160	34	34.5	36	41	46	56	66	76
CC0040.M0200	38	38.5	40	45	50	60	70	80
CC0040.M0220	40	40.5	42	47	52	62	72	82



CC0300



Material

Body: polyamide DIN-EN ISO 1043-1 PA 6 GFR 30, black.

Technical Notes

Suitable for all Flexi-System latches with cut-out of 22,2 dia. / 20,2 square. Please

order cam latch/lock separately, see parts A1002 to A1252.

Tips

Note when finger pull used the cam latch useful body length ,lh' is reduced by 2mm. This is important in relation to

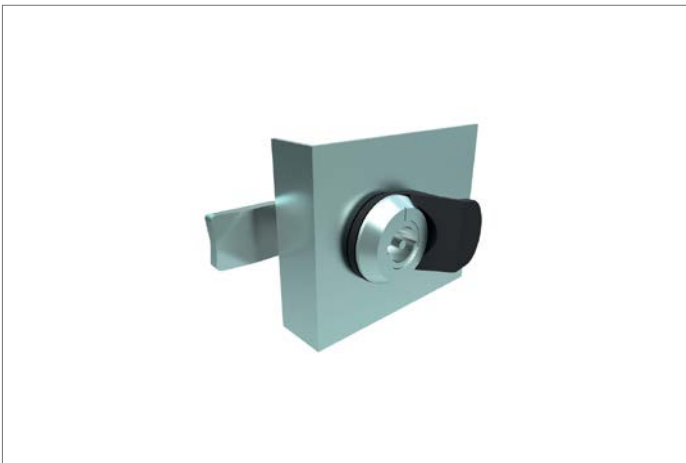
selection of suitable cam.

Important Notes

Sold subject to pack quantity.

Order No.
CC0300.M0028

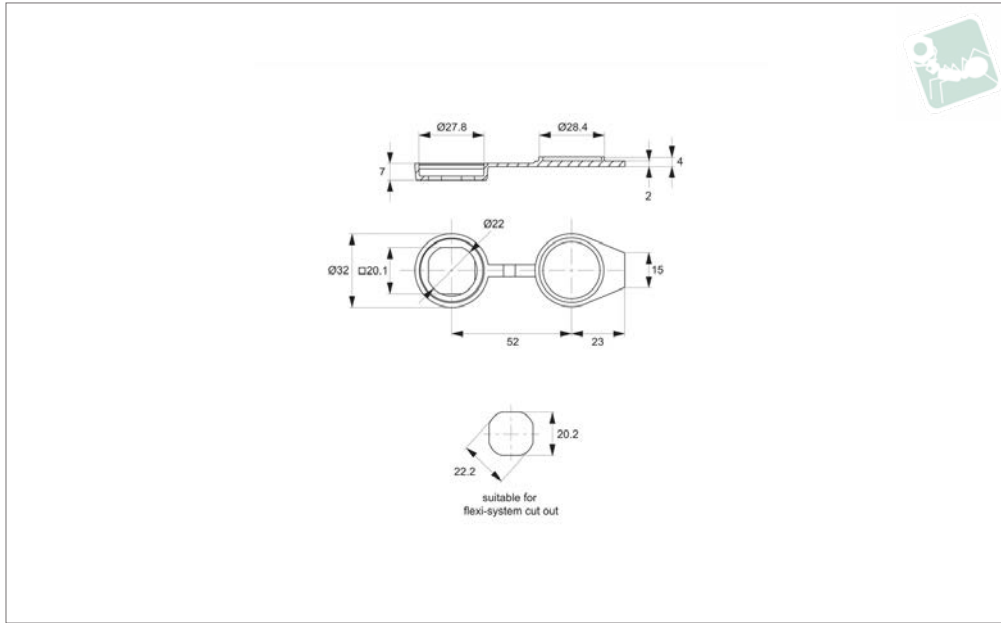
To suit flexi-system fastener
22,2 Dia Installation Cut Out





Dust Cap for flexi-system cam latches and locks

Latches



CC0305

LATCHES

Material

Body: polyamide, black.

Technical Notes

Fits all Flexi-System cam latches & locks, and other fasteners with a standard instal-

lation cut out of 22,2 dia / 20,2 square.

Tips

Note when dust cap used the cam latch useful body length ,lh' is reduced by 2mm. This is important in relation to selection of

suitable cam.

Important Notes

Sold subject to pack quantity.

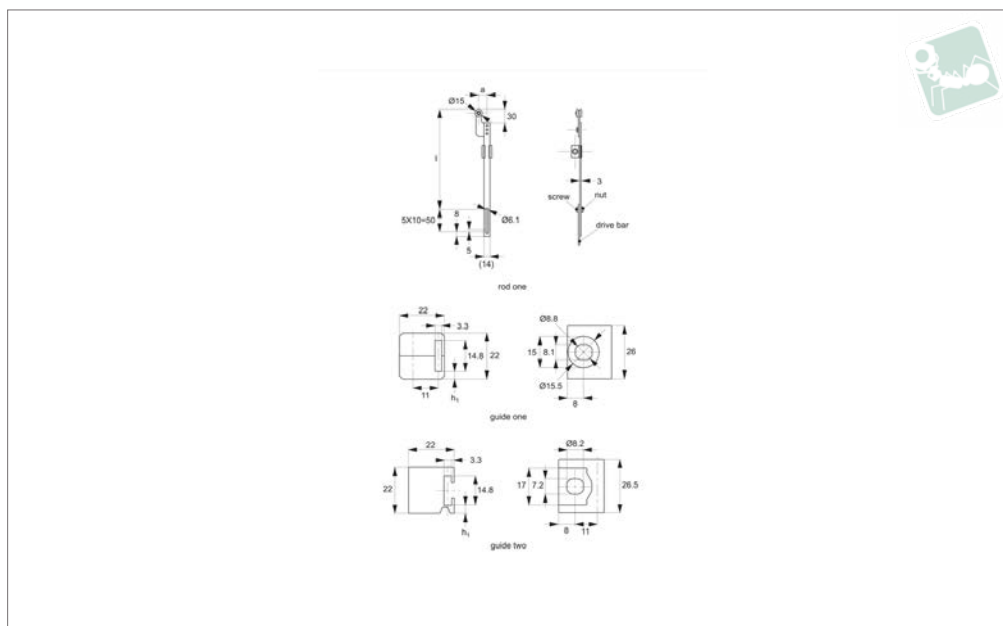
Order No.
CC0305.M0010

Type
Polyamide





CC0350



Material

Rod: steel, zinc plated. With nylon or PA6 rollers.

Rod guides One and Two: polyamide, PA6.

Technical Notes

For use with cam latches & locks, making a

full 3-point latching system. Distance between base of rod and inside of door depends upon height of rod guide selected, see dimension h_1 .

Rod guides: fixed via counter sunk screw or weld-on stud.

Cams: see two point cams CC0040 to achieve 3-point locking.

Important Notes

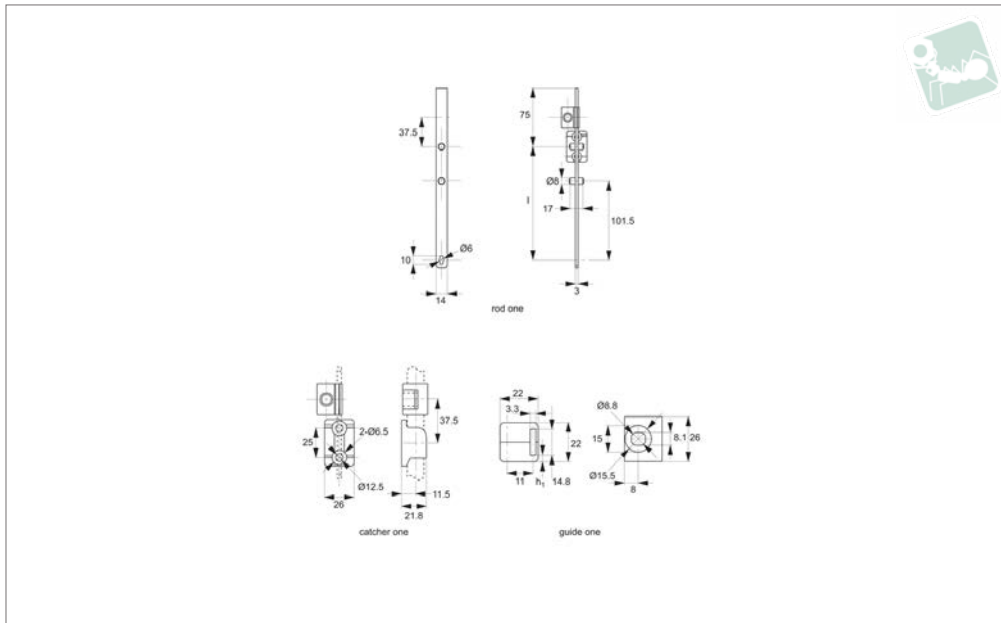
Please order rods and guides separately.

Order No.	Type	Length	a	h_1	Weld screw
CC0350.M1127	Rod One	1000	27.5	-	-
CC0350.M0800	Guide One	-	-	3.6	M 6x16
CC0350.M0820	Guide Two	-	-	3.6	M 6x16



Multi-Point Latching Set

flat rod with locking pins - for cam latches and



CC0355

LATCHES

Material

Rod: steel, zinc plated.
 Rod Guides One: polyamide, PA6.
 Rod Catcher: die cast zinc, black.

Technical Notes

For use with cam latches & locks, making a

full 3-point latching system. Distance between base of rod and inside of door depends upon height of rod guide selected, see dimension h_1 .

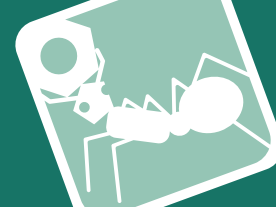
Rod guides: fixed via counter sunk screw or weld-on stud.

Cams: see two point cams CC0040 to achieve 3-point locking.

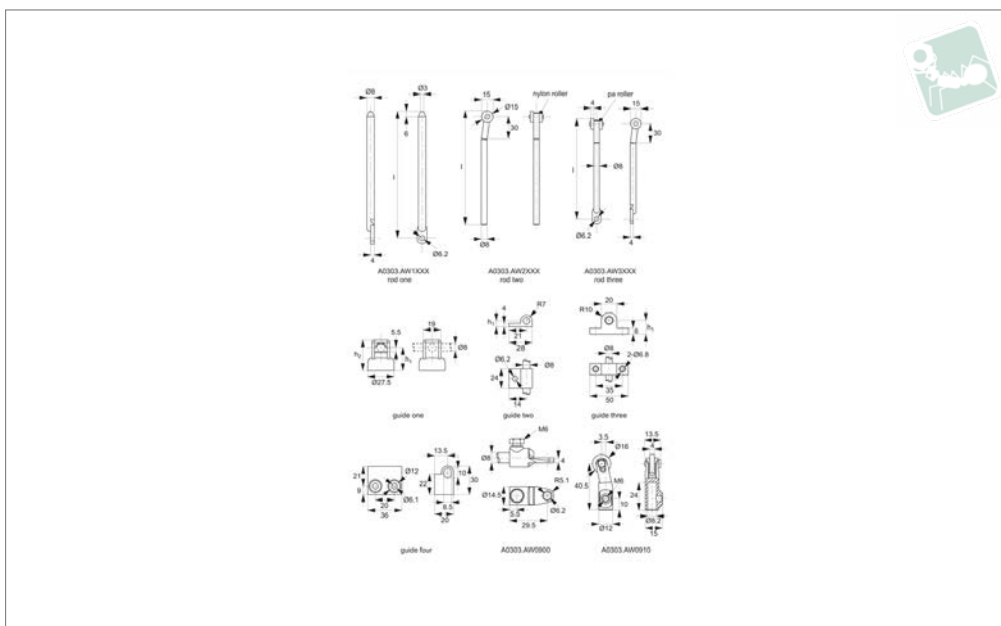
Important Notes

Please order rods, rod guides and rod catcher separately.

Order No.	Type	Length l	h_1
CC0355.M1070	Rod One	760	-
CC0355.M0900	Rod Catcher	-	-



CC0340



Material

Rod: steel, zinc plated. With Nylon or PA6 rollers.

Rod Guides One to Four: polyamide, PA6.

Rod Adaptor and Roller Adaptor: die cast zinc, zinc plated.

Technical Notes

For use with cam latches & locks, making a

full 3-point latching system.

Distance between base of rod and inside of door depends upon height of rod guide selected, see dimension h_1 .

Rod guides: fixed via counter sunk screw or weld-on stud.

Rod adaptor: fits to any length of rod. If rod of different length is required, simply

cut oversized length with a saw.

Cams: see two point cams CC0040 to achieve 3-point locking.

Important Notes

Please order rods, rod guides and rod adaptors separately.

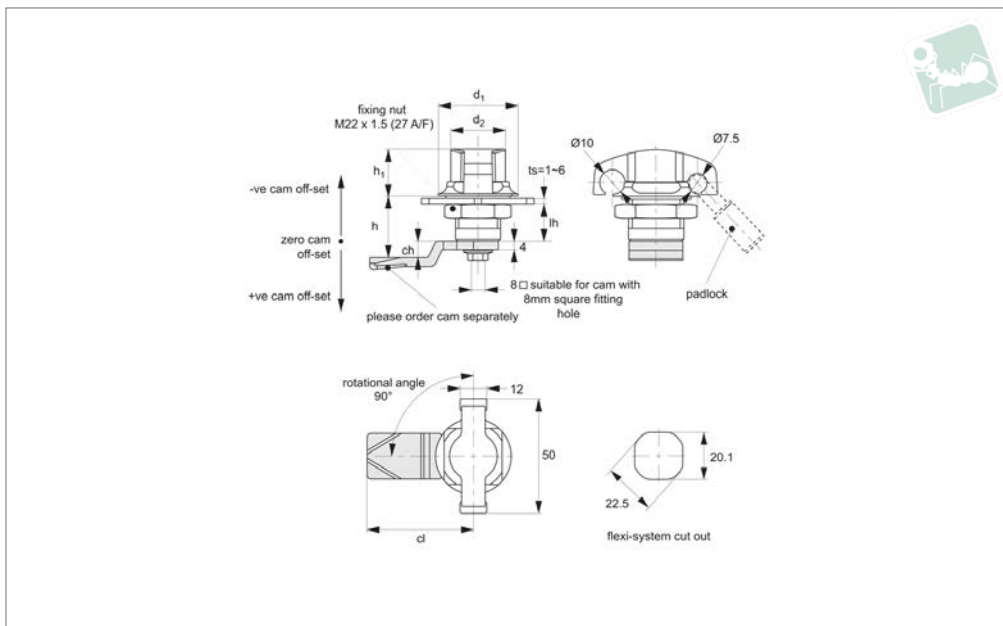
Order No.	Type	Length l	h_1	h_2	Weld screw
CC0340.M0861	Guide One	-	24	32	M 6 x 16
CC0340.M0862	Guide One	-	30	38	M 6 x 20
CC0340.M0863	Guide One	-	34	42	M 6 x 20
CC0340.M0881	Guide Two	-	7	-	-
CC0340.M0882	Guide Three	-	18	-	-
CC0340.M0883	Guide Four	-	22	-	-
CC0340.M0900	Rod Adaptor	-	-	-	-
CC0340.M1060	Rod One	600	-	-	-
CC0340.M1080	Rod One	800	-	-	-
CC0340.M1100	Rod One	1000	-	-	-
CC0340.M2060	Rod Two	600	-	-	-
CC0340.M2080	Rod Two	800	-	-	-
CC0340.M2100	Rod Two	1000	-	-	-
CC0340.M3060	Rod Three	600	-	-	-
CC0340.M3080	Rod Three	800	-	-	-
CC0340.M3100	Rod Three	1000	-	-	-



Cam Latches - Flexi-System

padlock wing handle - fixed grip - zinc

Latches



CC0430

LATCHES

Material

Body & Handle: die cast zinc, pocked black powder or chrome plated.

Not supplied: CAM - order separately.

Technical Notes

Order cam separately.

Cams: see suitable cam CC0020, and CC0040. Select „without projection“ cam type.

Dimensions ch and cl relate to cam. Use

formula to calculate ch (required cam off-set), and refer to cam selection chart;

ch = h - lh where;

ch = required cam off-set/height.

h = grip length (distance between inside of latch face and front of cam).

lh = body length of cam latch/lock to be used (see product table below).

Rods & Guides: to achieve 3-point latching - CC0340, CC0350, CC0355.

Tips

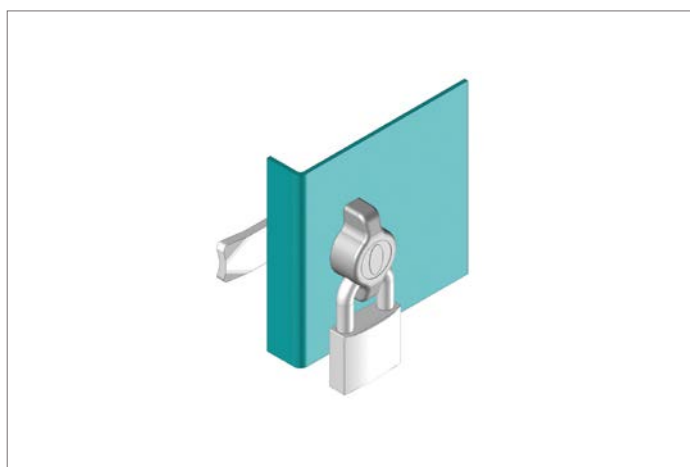
The wing knob can be locked by two sizes of padlock max. shackle dia. 7.5mm or 10mm. See technical diagram (padlock not supplied).

Panel thickness (ts) is 1 to 6mm max.

Important Notes

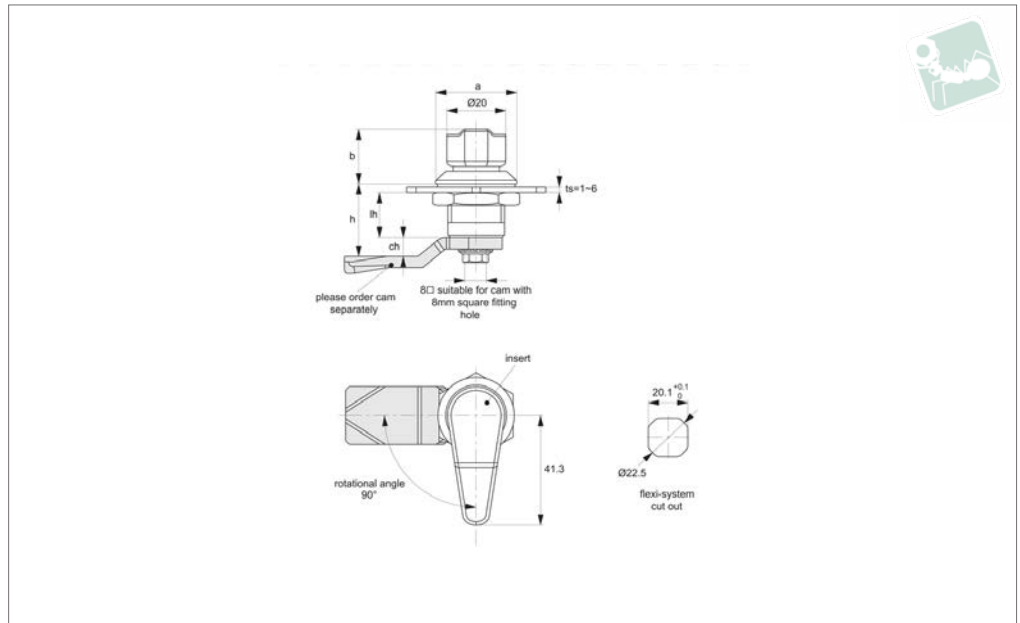
Sold subject to pack quantity.

Order No.	Type	d ₁	h ₁	d ₂	lh	Finish
CC0430.M0310	Black Coated	33	19	21	18	black coated





CC0440



Material

Type one: Body: die cast zinc, black powder coated.

Handle: polyamide, black.

Type two: Body & handle: polyamide, black.

Technical Notes

Order cam separately.

Cams: see suitable cam CC0020, and CC0040. Select „without projection“ cam

type.

Dimensions ch and cl relate to cam. Use formula to calculate ch (required cam off-set), and refer to cam selection chart;

ch = h - lh where;

ch = required cam off-set/height.

h = grip length (distance between inside of latch face and front of cam).

lh = body length of cam latch/lock to be used (see product table below).

Rods & Guides: to achieve 3-point latching - CC0340, CC0350, CC0355.

Tips

Finger knob actuates lock, and also acts as a handle.

Important Notes

Sold subject to pack quantity.

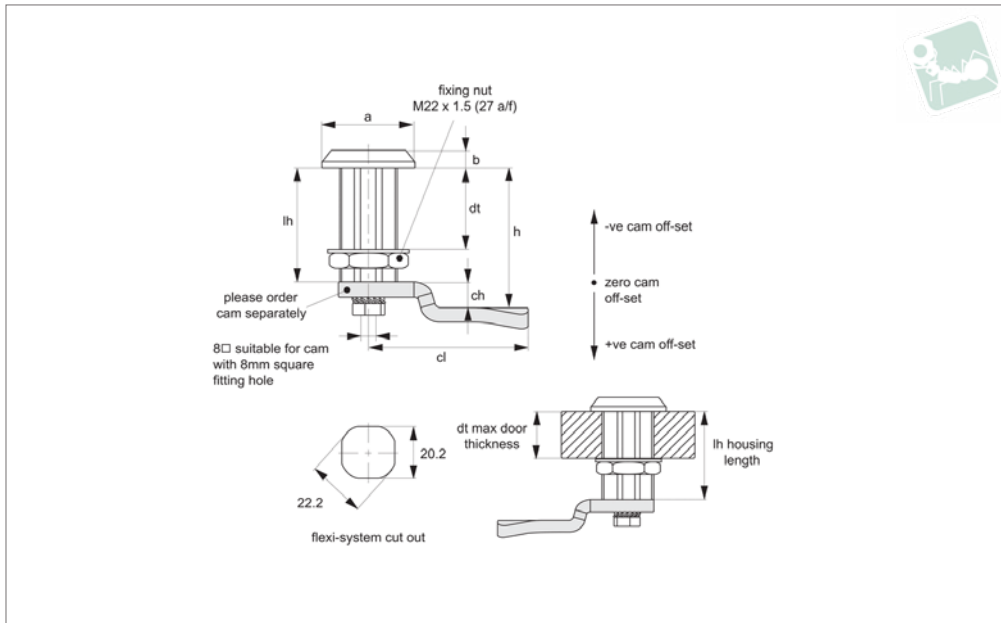
Order No.	Type	a	b	lh
CC0440.M0318	One Zinc	28	18	18
CC0440.M0328	One Zinc	28	18	28
CC0440.M0362	One Zinc	28	18	62
CC0440.M0518	Two Polyamide	28	18	18
CC0440.M0536	Two Polyamide	28	18	36



Cam Latches - Flexi-System

insert driver - extended body - zinc

Latches



CC0460

LATCHES

Material

Body & insert: die cast zinc, chrome plated.
Insert fitted with O'ring to achieve IP54 rating.

Supplied With: Nut: steel, zinc plated.
Sealing washer: PU & Rubber.

Not supplied: CAM nor KEY - order separately.

Technical Notes

Order cam and key separately.

Cams: see suitable cam CC0020, and CC0040. Select „without projection“ cam

type.

Dimensions ch and cl relate to cam. Use formula to calculate ch (required cam off-set), and refer to cam selection chart;

ch = h - lh where;

ch = required cam off-set/height.

h = grip length (distance between inside of latch face and front of cam).

lh = body length of cam latch/lock to be used (see product table below).

Keys: see CC0010.

Rods & Guides: to achieve 3-point latching

- CC0340, CC0350, CC0355.

Tips

Ideal for air conditioning units, sound-proof or isolation doors, as well as wooden panels. Insert quarter-turn opening or closing.

Slotted insert driver does not require a key. Simply use a flat head screwdriver to actuate.

Important Notes

Sold subject to pack quantity.

Order No.	Insert driver	lh	dt	a	b
CC0460.M0011	Square 7	28	20	28	4
CC0460.M0021	Square 8	28	20	28	4
CC0460.M0041	Triangle 7	28	20	28	4
CC0460.M0051	Triangle 8	28	20	28	4
CC0460.M0061	3mm Double Bit	28	20	28	4
CC0460.M0071	4mm Double Bit	28	20	28	4
CC0460.M0081	Slotted (2x4)	28	20	28	4
CC0460.M0311	Square 7	36	30	28	4
CC0460.M0321	Square 8	36	30	28	4
CC0460.M0341	Triangle 7	36	30	28	4
CC0460.M0351	Triangle 8	36	30	28	4
CC0460.M0361	3mm Double Bit	36	30	28	4
CC0460.M0371	4mm Double Bit	36	30	28	4
CC0460.M0381	Slotted (2x4)	36	30	28	4
CC0460.M0511	Square 7	62	50	28	4
CC0460.M0521	Square 8	62	50	28	4
CC0460.M0551	Triangle 8	62	50	28	4
CC0460.M0561	3mm Double Bit	62	50	28	4
CC0460.M0571	4mm Double Bit	62	50	28	4
CC0460.M0581	Slotted (2x4)	62	50	28	4