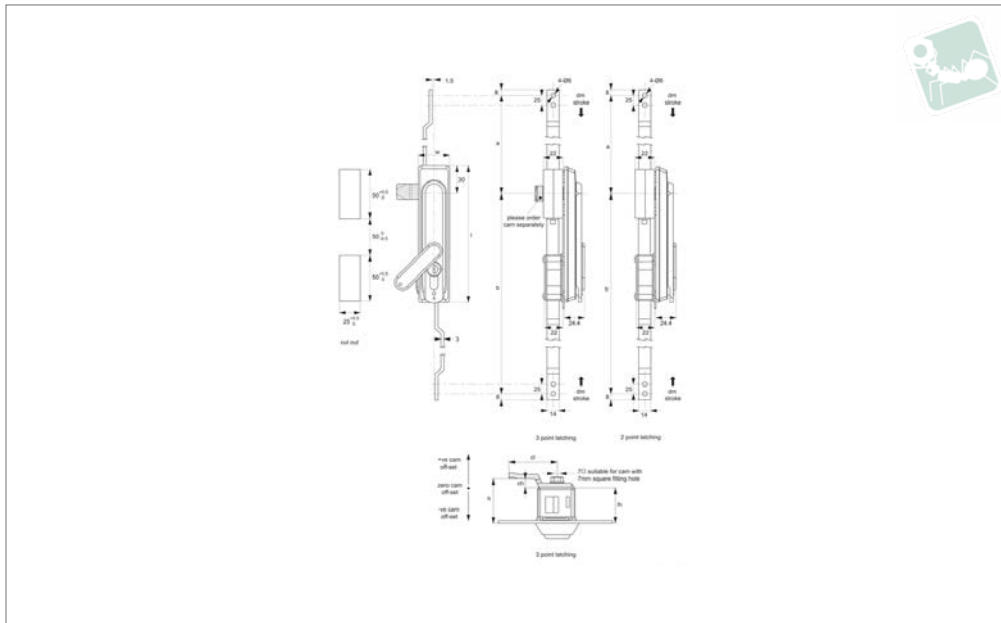




# Swing Handles - with Rod Control

40mm euro cylinder lock - dust cover - zinc or poly-

## Latches



**PL0500**

LATCHES

### Material

**Type One:** Body & Handle: die cast zinc, black powder coated.

**Type Two:** Body: Polyamide PA6, black.  
Handle: die cast zinc, black powder coated.  
Cylinder lock: die cast zinc, chrome plated.  
Rod Control Mechanism: die cast zinc.

**Supplied with:** Keys: two per lock.

**Not supplied:** Cam: order separately.

### Technical Notes

All locks are **keyed alike**.

Order cam separately.

Three point latching model utilises rod control plus a cam.

Two point latching model cannot accommodate a cam.

**Cams:** see suitable cam . Select „without projection“ cam type.

Dimensions ch and cl relate to cam. Use formula to calculate ch (required cam off-set), and refer to cam selection chart;

**ch = h - lh** where;

**ch** = required cam off-set/height.

**h** = grip length (distance between inside of

latch face and front of cam).

**lh** = body length of cam latch/lock to be used (see product table below).

**Rods & Guides:** to achieve 3-point latching - CC0340, CC0350, CC0355.

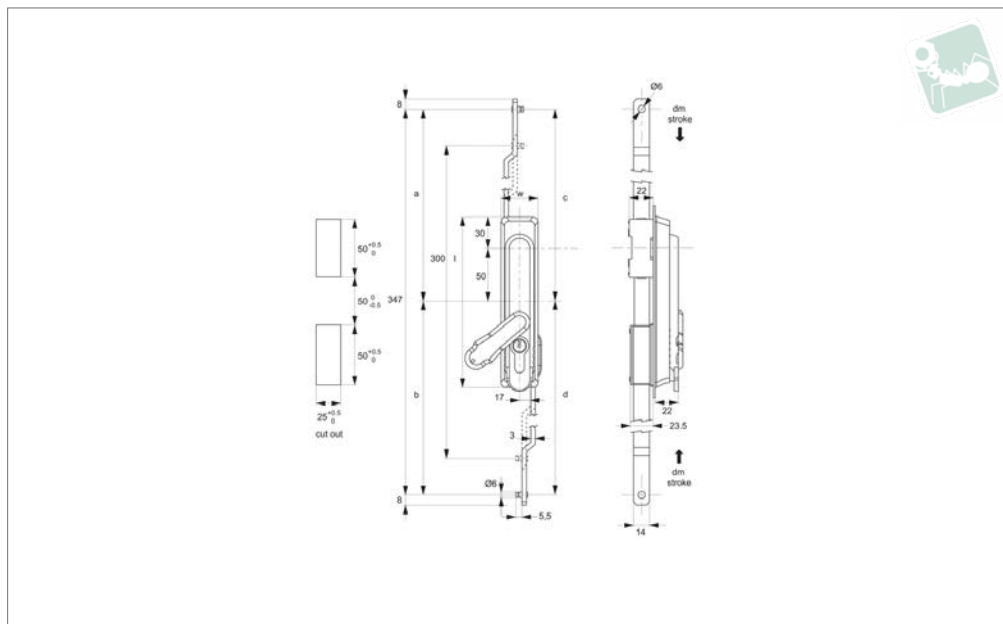
### Tips

90° degree handle rotation combines with rod latch to open or close. Panel thickness 1-4mm. All the cast metal construction provides higher strength.

Order No.	Type	Body	Handle	Latching type	l	Padlockable	w	lh	a	b	dm stroke
PL0500.M0010	One	Zinc	Zinc	2 point	160	No	34	23	122	196	15
PL0500.M0020	One	Zinc	Zinc	2 point	160	Yes	34	23	196	122	15
PL0500.M0310	Two	Polyamide	Zinc	3 point	160	No	34	23	196	122	15
PL0500.M0320	Two	Polyamide	Zinc	3 point	160	Yes	34	23	196	122	15



**PL0510**



**Material**

Body & Handle: polyamide (PA), black.  
 Cylinder lock: die cast zinc, chrome plated.  
 Rod Control Mechanism: die cast zinc.

**Supplied with:** Keys: two per lock.

**Not supplied:** Cam: order separately.

**Technical Notes**

Suitable for two point latching.  
 Not suitable for three point latching.

**Tips**

Also available with radial pin lock, subject

to min. order quantity.

Ideal for electrical cabinets, telecom racks or enclosures max. panel thickness of 2mm. For use inside of cabinet gasket. Universal left/right.

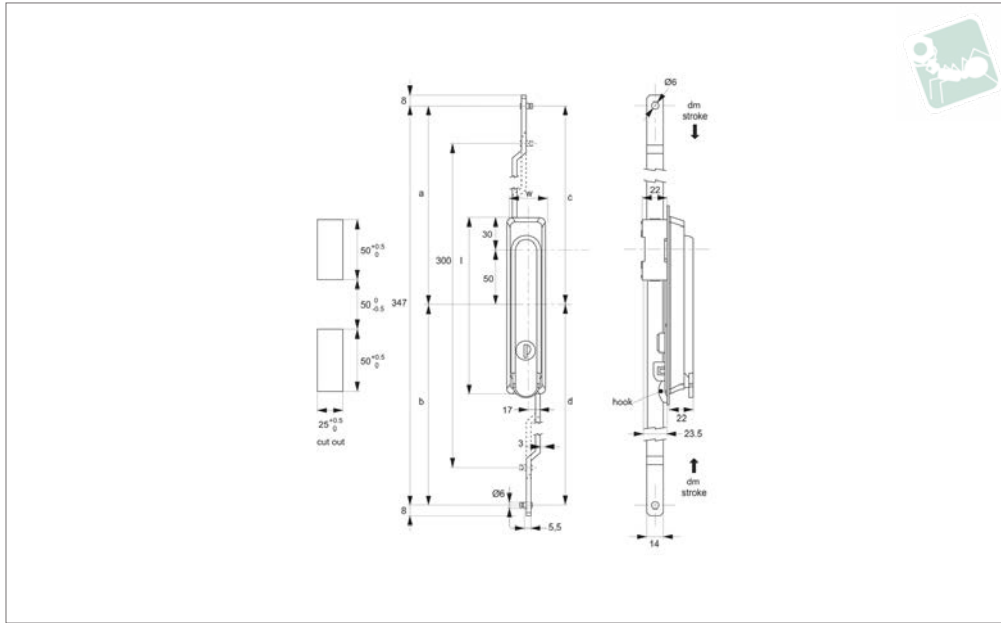
Order No.	Finish	Lock type	Key type	l	w	lh	a	b	c	d	dm stroke 135°	dm stroke 90°
PL0510.M0020	Black, Plastic	40 Euro	Keyed Alike	160	35	23	123.5	223.5	173.5	173.5	23.5	16



# Swing Handle - with Rod Control

standard cylinder - polyamide

## Latches



**PL0520**

LATCHES

### Material

Body & Handle: polyamide (PA), black.  
 Cylinder lock: die cast zinc, chrome plated.  
 Rod Control Mechanism: die cast zinc.  
**Supplied with:** Keys: two per lock.

**Not supplied:** Rods: order separately.

### Technical Notes

Suitable for two point latching.  
 Not suitable for three point latching.

**Rods & Guides:** CC0340, CC0350, CC0355.

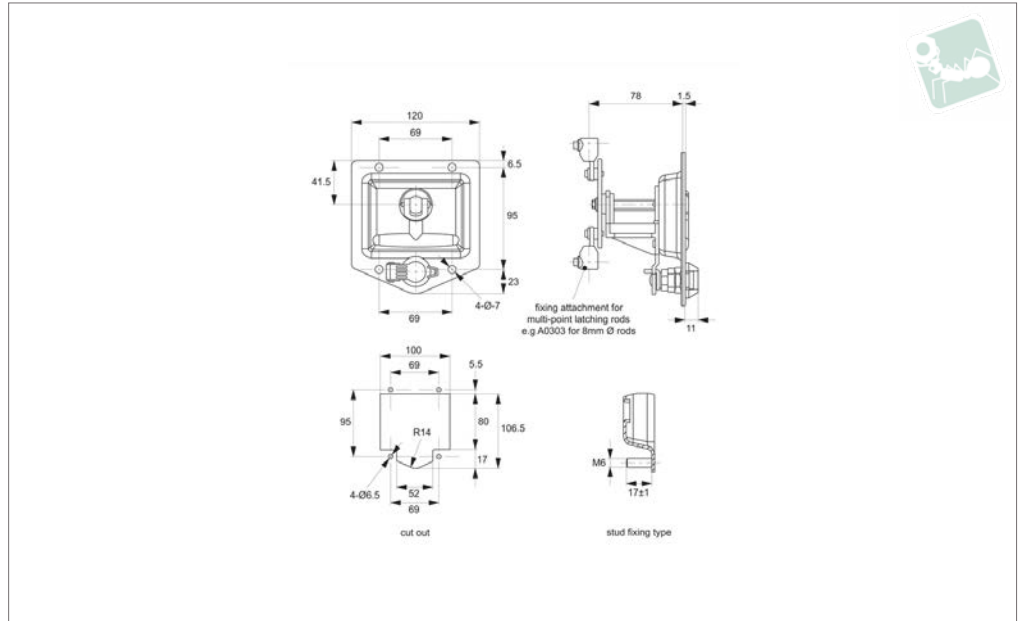
### Tips

Suitable for panel thickness 1 - 2mm.

Order No.	Finish	Latching type	Key type	l	w	lh	a	b	c	d	dm stroke 135°	dm stroke 90°
PL0520.AW0010	Black, Plastic	2-Point	Keyed Alike	160	35	22	123.5	223.5	173.5	173.5	23.5	16



**PL0580**



**Material**

Body: stainless steel, AISI 303.  
Handle: die cast zinc, chrome plated.  
Cylinder lock: die cast zinc, chrome plated.  
**Supplied with:** Keys: two per lock.

**Technical Notes**

Hole fixing type requires 4 off M 6 screws

(not supplied) for front mounting.  
Stud fixing type has 4 off M 6 welding studs for rear mounting with M 6 nuts (not supplied).  
Use with multi-point latching rods (e.g CC0340), with 8mm Ø rods, to achieve two point latching of larger enclosure panels.

**Tips**

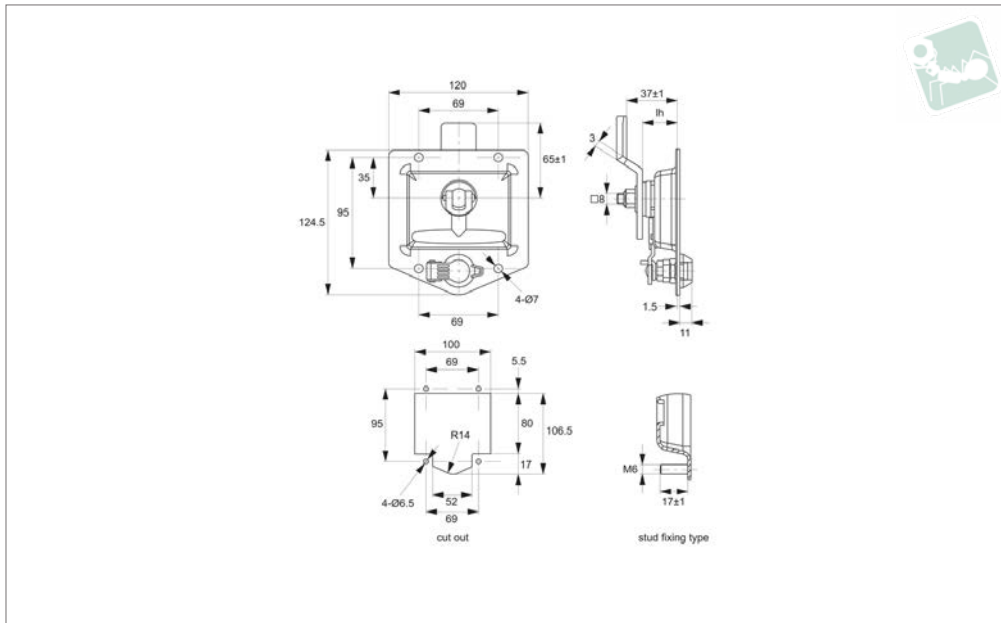
Ideal for electricity sub-stations, HGVs and other road side vehicles.  
T-handle is in the vertical position when locked. Universal left/right. For use inside of cabinet gasket.

Order No.	Mounting type	Lock type	Key type
PL0580.M0010	Hole Fixing	Std. Cylinder	Keyed Alike
PL0580.M0020	Stud Fixing	Std. Cylinder	Keyed Alike



# Cam Latch - Flush T-handle

vertical - heavy duty - fixed grip - standard cylinder



### PL0585

LATCHES

#### Material

Body: stainless steel, AISI 303.  
 Handle: die cast zinc, chrome plated.  
 Cylinder lock: die cast zinc, chrome plated.  
**Supplied with:** Keys: two per lock.  
 Cam: stainless steel, AISI 303.

#### Technical Notes

Hole fixing type requires 4 off M 6 screws

(not supplied), for front mounting.  
 Stud fixing type has 4 off M 6 welded studs for near mounting with M 6 nuts (not supplied).

#### Tips

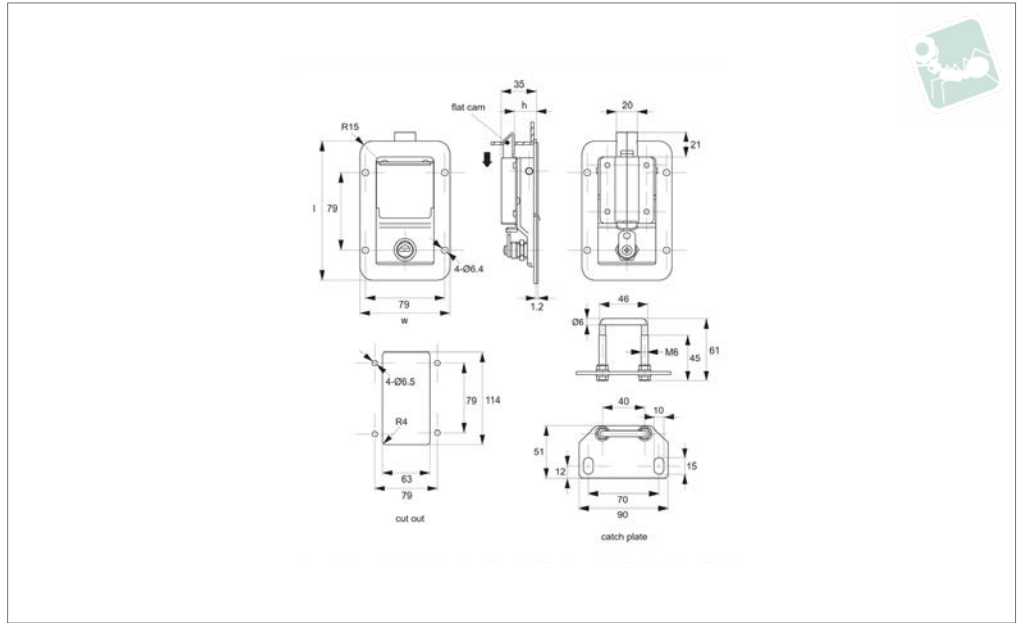
Ideal for electricity sub-stations, HGVs and other road side vehicles.  
 T-handle is in the vertical position when

locked. Universal left/right. For use inside of cabinet gasket.  
 Can be used with cam range CC0020.

Order No.	Mounting type	Lock type	Key type	lh
PL0585.M0010	Hole Fixing	Std. Cylinder	Keyed Alike	25
PL0585.M0020	Stud Fixing	Std. Cylinder	Keyed Alike	25



PL0740



**Material**

Body and Handle: stainless steel, AISI 304.  
Cylinder lock: die cast zinc, chrome plated.

**Supplied with:** Keys: two per lock.

**Not Supplied:** Catch plate: please order separately.

**Technical Notes**

Hole fixing type requires 4 off M 6 screws (not supplied) for front mounting.

Spring loaded, slam action handle.

Universal left/right. For use inside of cabinet gasket.

**Tips**

Fully integrated lock, latch and flush fitting paddle handle, ideal for generators, compressors, electric panels and doors.

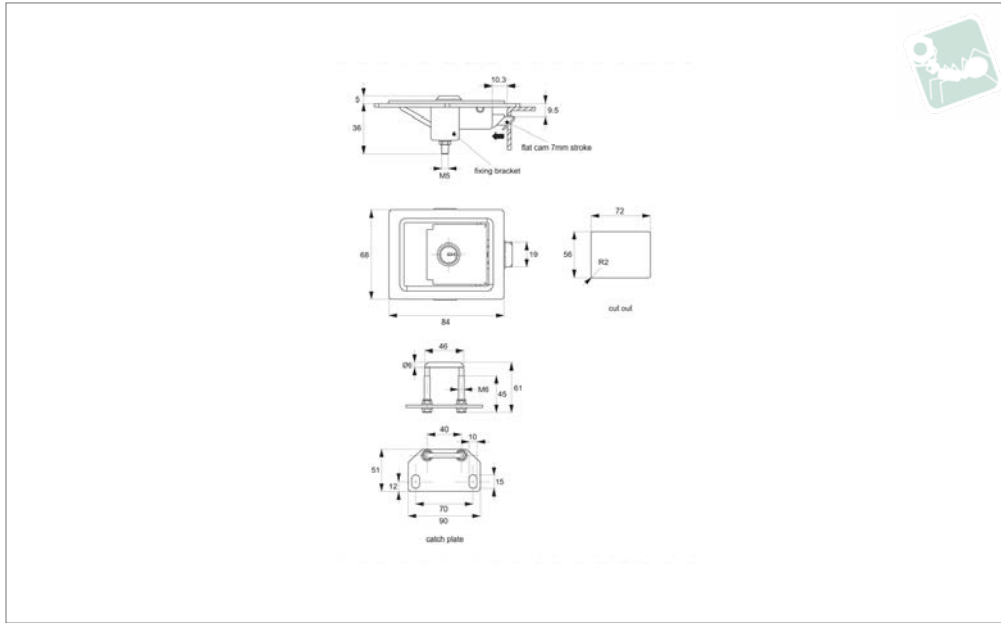
Order No.	Type	h	l	w
PL0740.M0010	With Lock	22	140	90
PL0740.M0020	Blank - No Lock	22	140	90



# Push To Close Paddle Latches

pull to open - slam action - standard cylinder lock -

## Latches



### PL0710

LATCHES

#### Material

Body and Handle: steel, black powder coated.  
Cylinder lock: die cast zinc, zinc plated.

**Supplied with:** Keys: two per lock.

**Not Supplied:** Catch plate: please order separately.

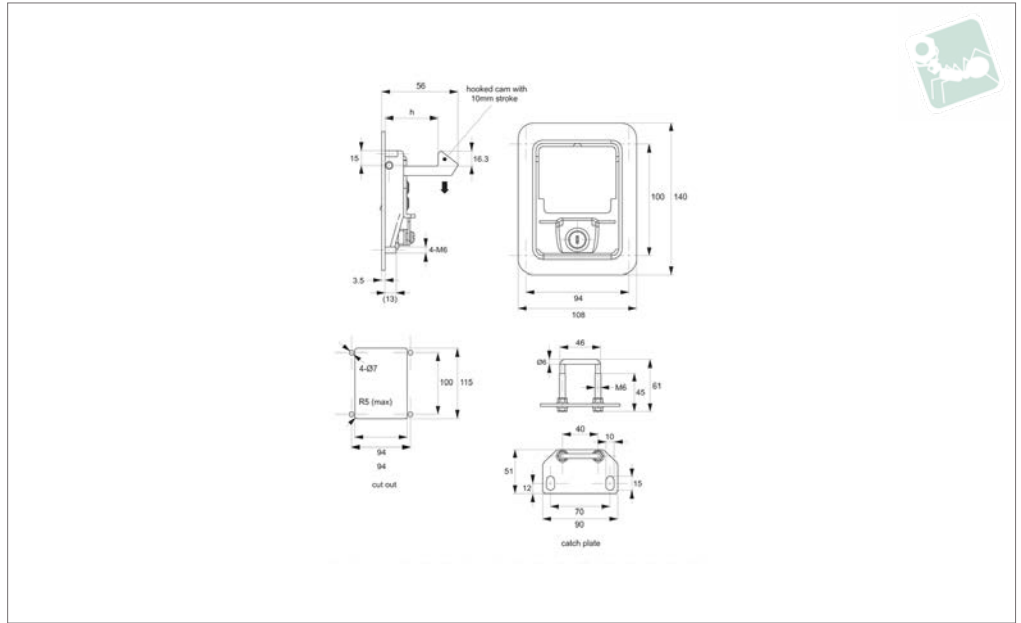
#### Technical Notes

Spring loaded, slam action handle. Installation via 72x56mm cut out.

Order No.	Lock type
PL0710.M0010	Std. Cylinder
PL0710.M0020	Blank - No Lock



## PL0712



### Material

Body and Handle: steel, black powder coated.

Cylinder lock: die cast zinc, zinc plated.

**Supplied with:** Keys: two per lock.

**Not Supplied:** Catch plate: please order separately.

### Technical Notes

Stud fixing type has 4 off M 6 welded studs for rear mounting with M 6 nuts (not supplied).

Universal left/right. For use inside of cabinet gasket.

### Tips

Fully integrated lock, latch and flush fitting paddle handle, ideal for generators, compressors, electric panels and doors.

Order No.	Lock type	Type	h
PL0712.M0010	Std. Cylinder	Latch	31.5
PL0712.M0020	Std. Cylinder	Latch	44.0
PL0712.M0030	Std. Cylinder	Latch	55.0

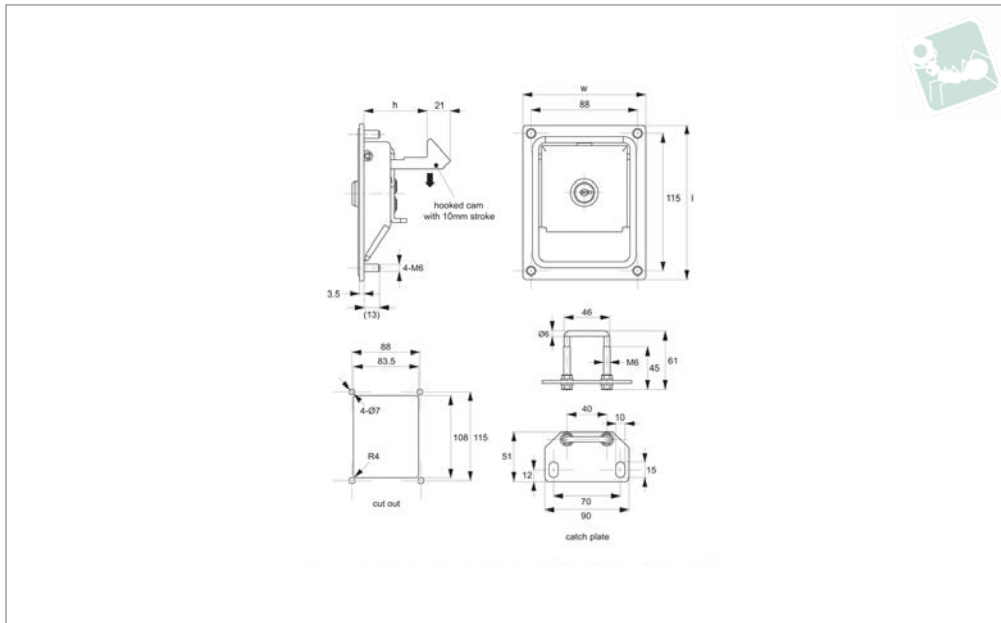




# Push To Close Paddle Latches

pull to open - slam action - standard cylinder lock -

## Latches



**PL0730**

LATCHES

### Material

Body and Handle: steel, black powder coated.

Cylinder lock: die cast zinc, zinc plated.

**Supplied with:** Keys: two per lock.

**Not Supplied:** Catch plate: please order

separately.

### Technical Notes

Stud fixing type has 4 off M 6 welded studs for rear mounting with M 6 nuts (not supplied).

### Tips

Fully integrated lock, latch and flush fitting paddle handle, ideal for generators, compressors, electric panels and doors.

Order No.	Lock type	Type	h	l	w
PL0730.M0010	Std. Cylinder	Latch	30.5	127	101.5
PL0730.M0020	Std. Cylinder	Latch	43.0	127	101.5
PL0730.M0030	Std. Cylinder	Latch	54.0	127	101.5
PL0730.M0040	Blank - No Lock	Latch	30.5	127	101.5
PL0730.M0050	Blank - No Lock	Latch	43.0	127	101.5