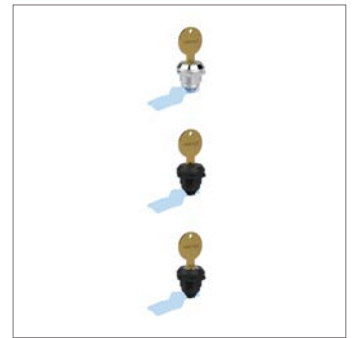
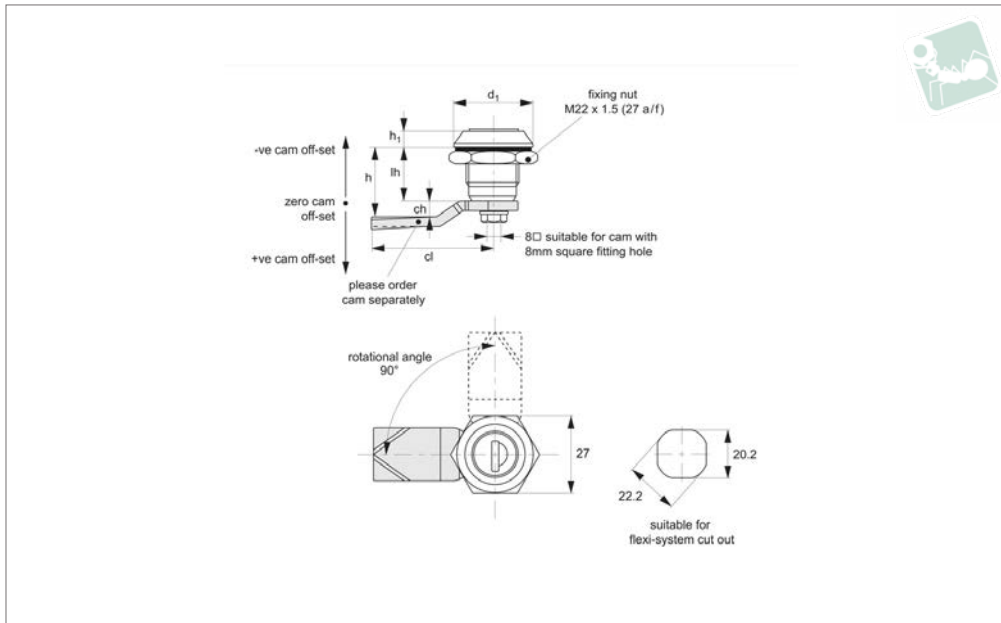




# Cam Locks - Flexi-System

fixed grip - zinc

## Locks



## CC2010

LOCKS

### Material

**Type one & Two:** Body: die cast zinc, finished in chrome plate or black powder coating.  
Cylinder lock: die cast zinc, chrome plated.

**Type Three:** Body: polyamide.  
Cylinder lock: die cast zinc, chrome plated.

**Supplied with:** Keys: two per lock.

**Not supplied:** CAM - order separately.

### Technical Notes

Order cam separately.

**Cams:** see suitable cam CC0020, and CC0040. Select „without projection“ cam type.

Dimensions ch and cl relate to cam. Use formula to calculate ch (required cam off-set), and refer to cam selection chart;

**ch = h - lh** where;

**ch** = required cam off-set/height.

**h** = grip length (distance between inside of latch face and front of cam).

**lh** = body length of cam latch/lock to be

used (see product table below).

**Rods & Guides:** to achieve 3-point latching - CC0340, CC0350, CC0355.

### Tips

Quarter turn opening or closing.  
Universal left and right application.

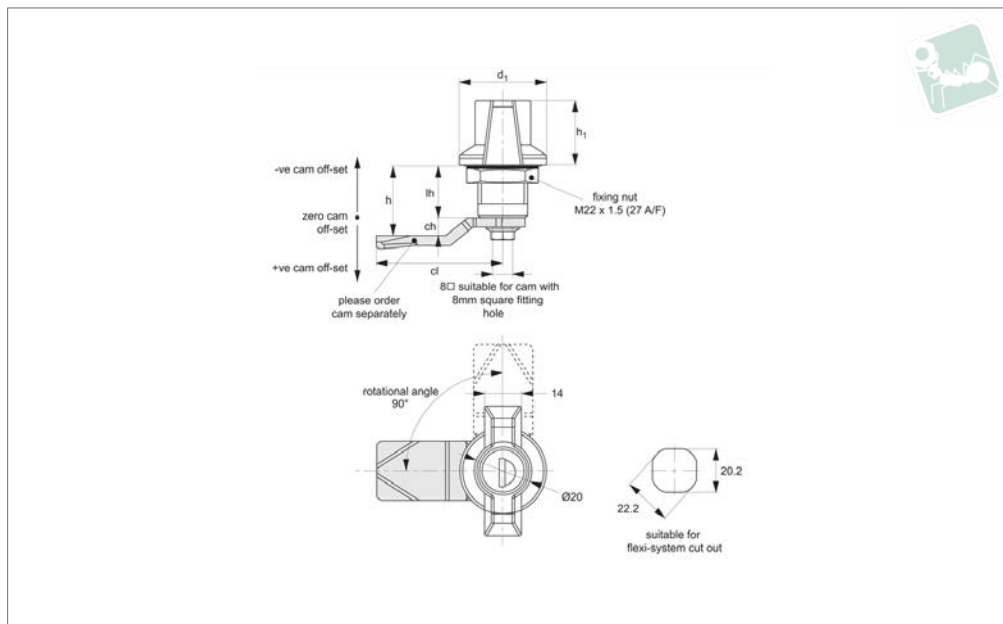
### Important Notes

Sold subject to pack quantity.

Order No.	Type	Body finish	Key type	d <sub>1</sub>	h <sub>1</sub>	lh
CC2010.M0010	One	Chrome Plated	Keyed Alike	28.0	6	20
CC2010.M0310	Two	Black Coated	Keyed Alike	28.0	6	18
CC2010.M0320	Two	Black Coated	Keyed to Differ	28.0	6	18
CC2010.M0330	Two	Black Coated	Euro	30.0	6	18
CC2010.M0510	Three	Plastic, Black	Keyed Alike	28.0	6	18
CC2010.M0520	Three	Plastic, Black	Keyed to Differ	28.0	6	18



CC2020



**Material**

Body & insert: die cast zinc, finished in chrome plate or black powder coating.  
Fitted with O'ring to provide IP54 rating.  
Cylinder lock: die cast zinc, chrome plated.  
With dust cap to prevent material ingress.

**Supplied with:** Keys: two per lock.

**Not supplied:** CAM - order separately.

**Technical Notes**

Order cam separately.

**Cams:** see suitable cam CC0020, and

CC0040. Select „without projection“ cam type.

Dimensions ch and cl relate to cam. Use formula to calculate ch (required cam off-set), and refer to cam selection chart;

**ch = h - lh** where;

**ch** = required cam off-set/height.

**h** = grip length (distance between inside of latch face and front of cam).

**lh** = body length of cam latch/lock to be used (see product table below).

**Rods & Guides:** to achieve 3-point latching - CC0340, CC0350, CC0355.

**Tips**

Quarter turn opening or closing.

Wings act as actuation handle.

Universal left and right.

**Important Notes**

Sold subject to pack quantity.

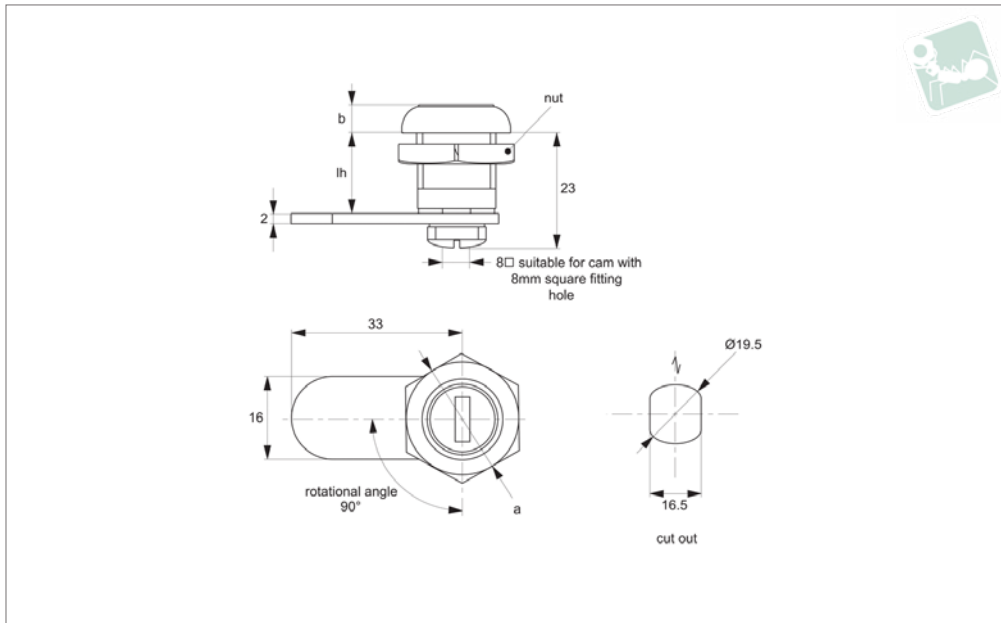
Order No.	Body finish	Key type	d <sub>1</sub>	h <sub>1</sub>	lh
CC2020.M0010	Chrome	Keyed Alike	30.5	23.6	18
CC2020.M0020	Chrome	Keyed to Differ	30.5	23.6	18
CC2020.M0310	Black Coated	Keyed Alike	30.5	23.6	18
CC2020.M0320	Black Coated	Keyed to Differ	30.5	23.6	18



# Mini Cam Lock

cam lock - fixed grip

## Locks



### CC2050

LOCKS

#### Material

Body & insert: die cast zinc, bright chrome plated.

Fixed grip: zinc.

**Supplied with:** Nuts, Cam and Keys: two per lock.

#### Tips

Ideal for use in metal cabinets, drawers

and machinery covers etc.

Due to compact size of cam and lock body there is no need to remove cam during installation.

Keyed to differ model has a max. 100 key combinations.

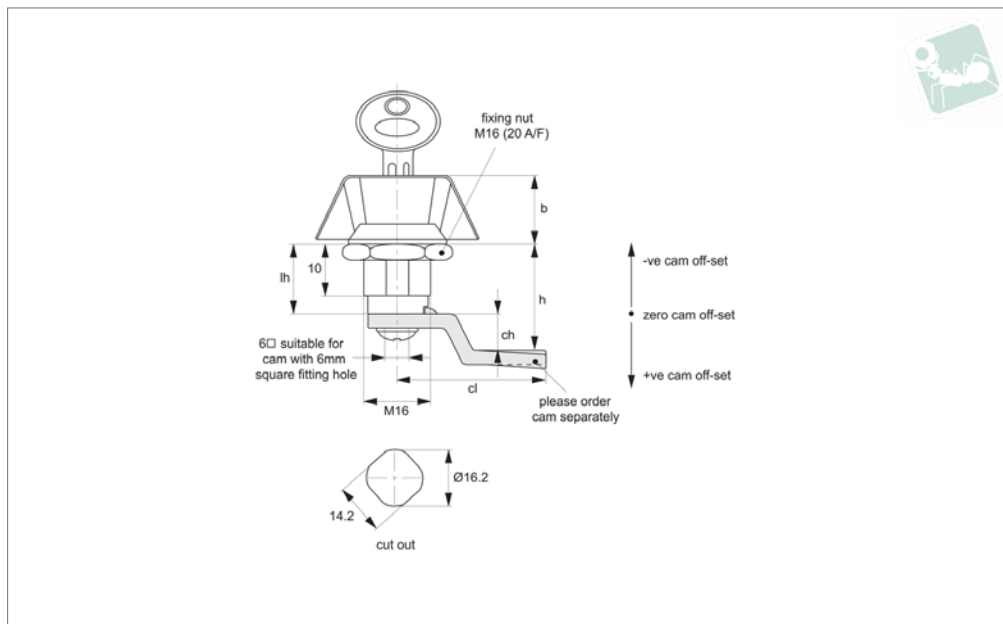
Type Three -  $90^\circ$  key rotation, key non-removable when in unlocked position.

Quarter-turn opening. Locks have dust cover.

Order No.	a	b	lh
CC2050.M0010	22.0	5.5	15.5



CC2060



**Material**

Black painted ZDC housing and handle, white zinc plated cam.

**Supplied with:** Keys: two per lock. Nut - steel, zinc plated.

**Not supplied:** CAM - order separately.

**Technical Notes**

Order cam separately.

**Cams:** see suitable cam CC0050. Select „with projection“ cam type to prevent cam rotating over 45°.

Dimensions ch and cl relate to cam. Use formula to calculate ch (required cam off-set), and refer to cam selection chart;

**ch = h - lh** where;  
**ch** = required cam off-set/height.

**h** = grip length (distance between inside of latch face and front of cam).

**lh** = body length of cam latch/lock to be used (see product table below).

**Important Notes**

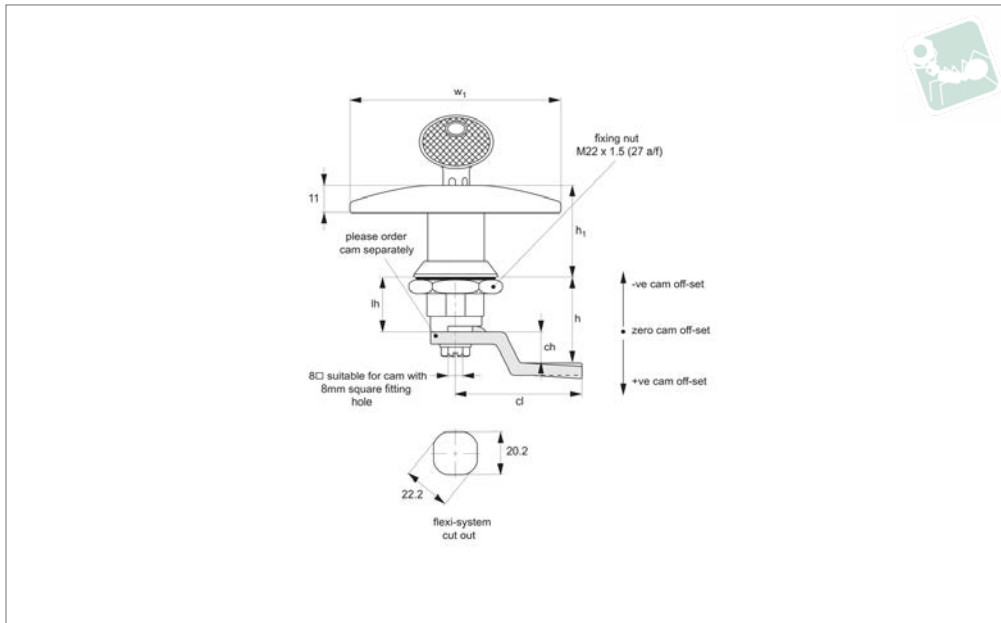
Sold subject to pack quantity.

Order No.	Key type	Type	Body finish	b	lh
CC2060.M0010	Keyed Alike	Type One	Chrome Plated	14.5	13.0
CC2060.M0020	Keyed Alike	Type Two	Black Coated	14.5	13.0



# Cam Locks - Flexi-System

## T-handle - fixed grip



**CC2200**

LOCKS

**Material**

**Type one & two:** Body: die cast zinc.  
 Finished in chrome plate or black powder coating.  
 Cylinder lock: die cast zinc, chrome plated.  
 IP65/NEMA 4 rated.  
**Supplied with:** Nut: steel, zinc plated.  
 Sealing washer: PU & Rubber.  
 Keys: two per lock.

**Not supplied:** Cam: order separately.

**Technical Notes**

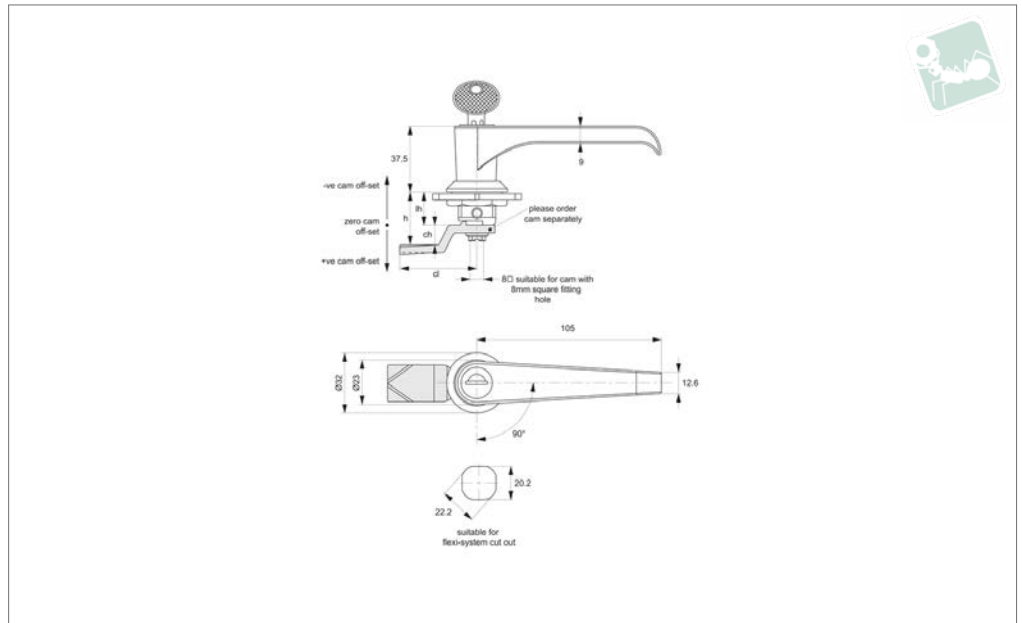
Order cam separately.  
**Cams:** see suitable cam CC0020, and CC0040. Select „with projection“ cam type to prevent cam rotating over 45°. Dimensions ch and cl relate to cam. Use formula to calculate ch (required cam off-

set), and refer to cam selection chart;  
**ch = h - lh** where;  
**ch** = required cam off-set/height.  
**h** = grip length (distance between inside of latch face and front of cam).  
**lh** = body length of cam latch/lock to be used (see product table below).  
**Rods & Guides:** to achieve 3-point latching - CC0340, CC0350, CC0355.

Order No.	Body finish	Key type	w <sub>1</sub>	h <sub>1</sub>	lh
CC2200.M0110	Chrome Plated	Keyed Alike	78	37	18
CC2200.M0120	Chrome Plated	Keyed to Differ	78	37	18
CC2200.M0310	Black Coated	Keyed Alike	78	37	18
CC2200.M0320	Black Coated	Keyed to Differ	78	37	18



CC2210



**Material**

Body: die cast zinc, finished in chrome plate or black powder coating.  
 Cylinder lock: die cast zinc, chrome plated.  
**Supplied With:** Nut: steel, zinc plated.  
 Keys: two per lock.  
**Not Supplied:** Cam: order separately.

**Technical Notes**

Order cam separately.

**Cams:** see suitable cam CC0020, and CC0040. Select „with projection“ cam type to prevent cam rotating over 45°. Dimensions ch and cl relate to cam. Use formula to calculate ch (required cam off-set), and refer to cam selection chart; **ch = h - lh** where; **ch** = required cam off-set/height. **h** = grip length (distance between inside of

latch face and front of cam). **lh** = body length of cam latch/lock to be used (see product table below). **Rods & Guides:** to achieve 3-point latching - CC0340, CC0350, CC0355.  
**Tips**  
 Disc tumbler cylinder locks with stainless dust cap, to prevent material ingress.  
 Universal left and right.

Order No.	Body finish	Key type	d <sub>1</sub>	lh
CC2210.M0110	Chrome Plated	Keyed Alike	32	18
CC2210.M0120	Chrome Plated	Keyed to Differ	32	18
CC2210.M0310	Black Coated	Keyed Alike	32	18
CC2210.M0320	Black Coated	Keyed to Differ	32	18