

ST0010

STAYS & HINGES

Material

Steel, zinc plated.

table. Ideal for screw or weld-on mounting.

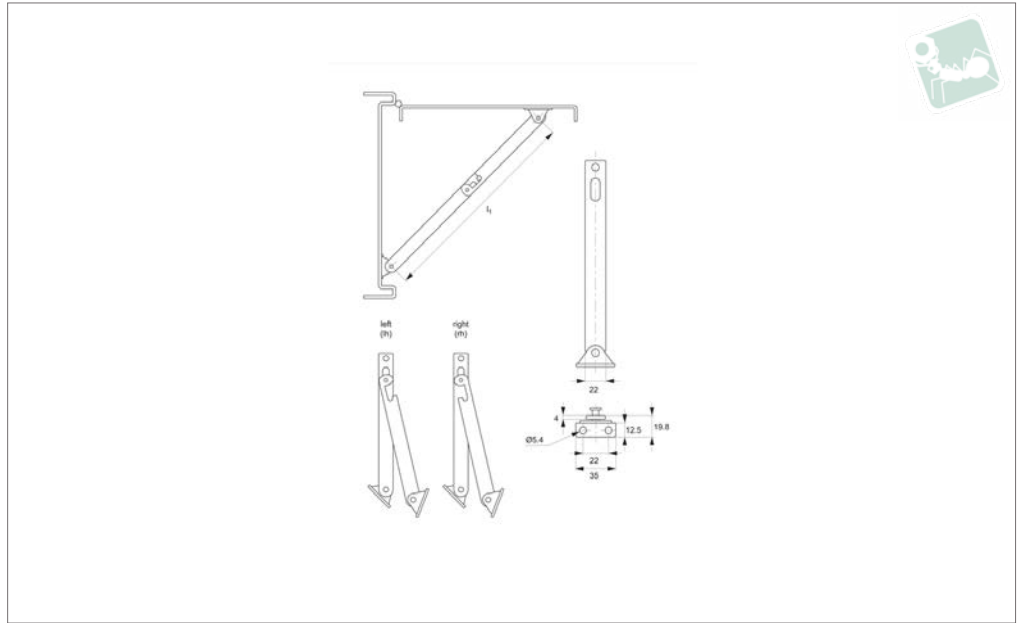
Technical Notes

Left or right hand specific, please refer to

Order No.	Hand	l ₁
ST0010.M0008	Right	202
ST0010.M0006	Right	135
ST0010.M0010	Right	292
ST0010.M0106	Left	135
ST0010.M0108	Left	202
ST0010.M0110	Left	292



ST0012



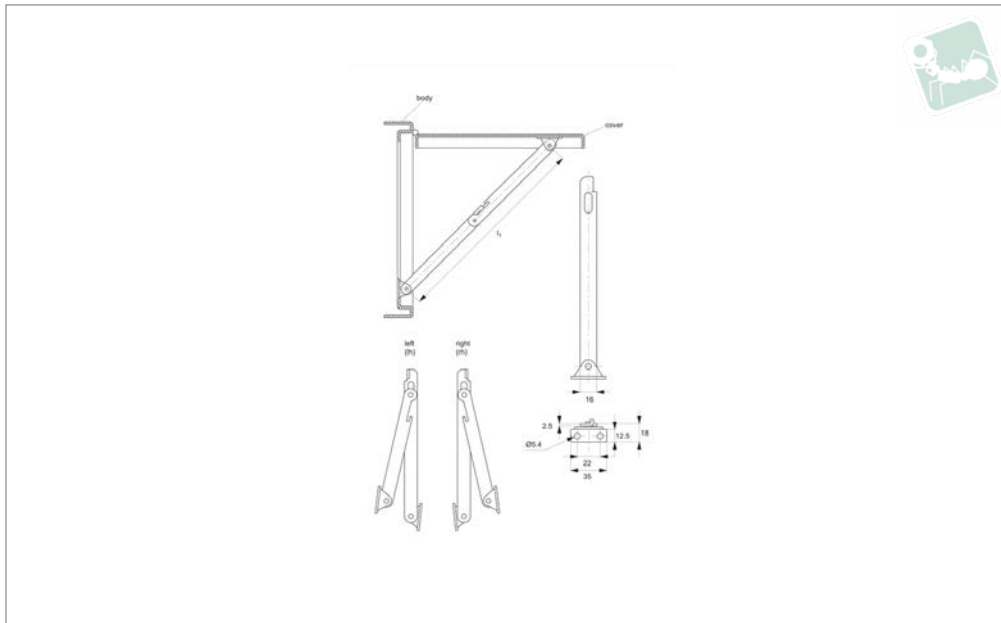
Material

Steel, zinc plated.

Technical Notes

Right or left handed, please refer to table.
Ideal for screw or weld-on mounting.

Order No.	Hand	l_1
ST0012.M0006	Right	135
ST0012.M0106	Left	135
ST0012.M0008	Right	202
ST0012.M0108	Left	202
ST0012.M0010	Right	292
ST0012.M0110	Left	292



ST0014

STAYS & HINGES

Material

Stainless steel, AISI 304.

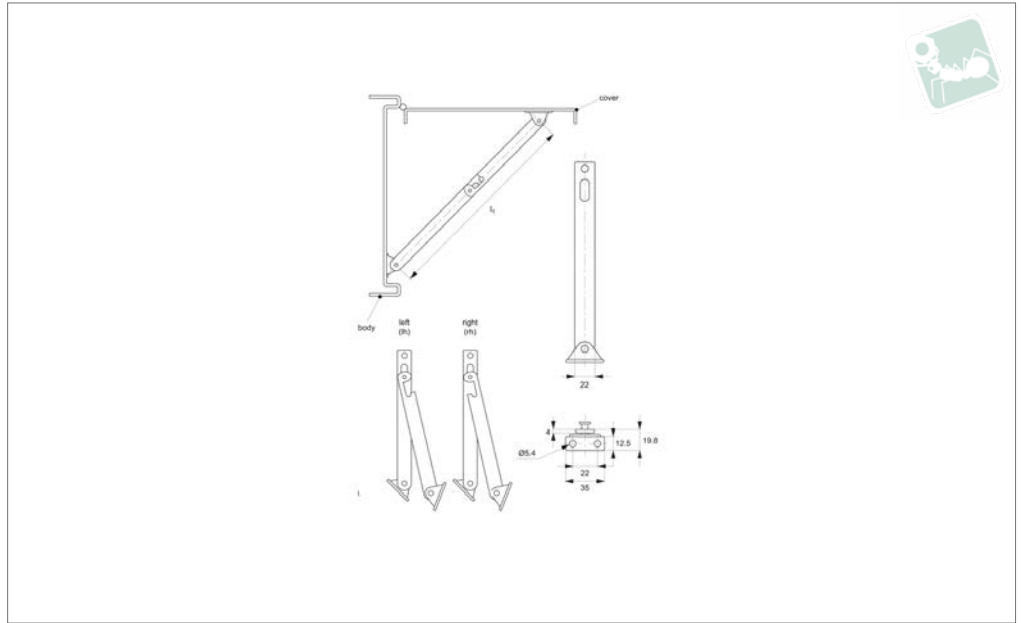
Technical Notes

Right or left handed, please refer to table.
Ideal for screw or weld-on mounting.

Order No.	Hand	l ₁
ST0014.M0006	Right	135
ST0014.M0008	Right	202
ST0014.M0010	Right	292
ST0014.M0108	Left	202
ST0014.M0106	Left	135
ST0014.M0110	Left	292



ST0016



Material

Stainless steel, AISI 304.

Technical Notes

Right or left handed, please refer to table.
Ideal for screw or weld-on mounting.

Order No.	Hand	l ₁
ST0016.M0006	Right	135
ST0016.M0008	Right	202
ST0016.M0010	Right	292
ST0016.M0106	Left	135
ST0016.M0108	Left	202
ST0016.M0110	Left	292

