

LP1330

TURNBUCKLES

Material

Steel (1.0037), zinc-plated.
Hot dip galvanized, available on request providing increased protection against corrosion.

Technical Notes

To DIN 1480.

Tips

Turnbuckles consist of a metal frame with right hand thread one end and left hand thread the other end. Used for tensioning by rotating turnbuckle body without twisting attached rope or cable.

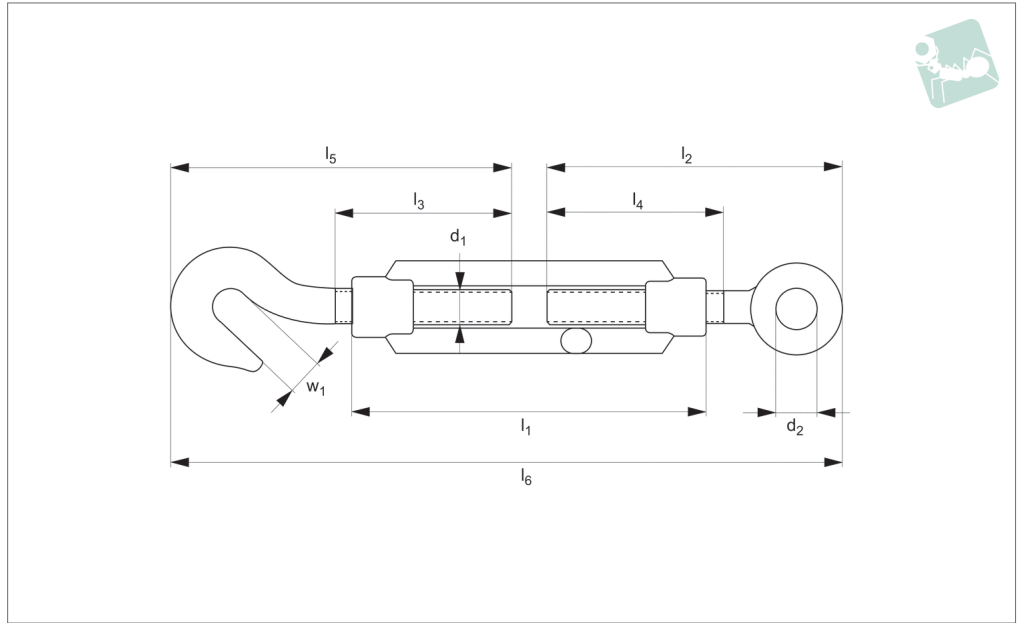
Important Notes

Turnbuckles are not to be used for lifting. Only suitable for use in tension.

Order No.	d_1	l_1	l_2	l_3	d_2	d_3	w_1	w_2	Adjustment	Weight kg
LP1330.006	M 6	110	12	6	12	6	19	9	80	0.06
LP1330.008	M 8	110	15	8	15	8	23	11	75	0.09
LP1330.010	M10	125	18	9	18	9	30	14	85	0.15
LP1330.012	M12	125	21	11	21	11	34	16	80	0.20
LP1330.016	M16	170	27	14	27	14	42	20	110	0.44
LP1330.020	M20	200	34	17	34	17	52	24	130	0.44
LP1330.024	M24	255	39	20	39	20	60	28	170	1.20
LP1330.030	M30	255	45	23	45	23	74	34	160	1.80
LP1330.036	M36	295	55	28	55	28	86	40	180	3.20
LP1330.042	M42	330	63	32	63	32	104	50	200	4.50
LP1330.048	M48	355	78	39	80	40	135	65	195	9.10
LP1330.056	M56	355	78	39	80	40	135	65	195	8.00



LP1350



TURNBUCKLES

Material

Steel (1.0037), zinc-plated.
Hot dip galvanized body, available on request providing increased protection against corrosion. Please add -FZ for hot dip galvanized, e.g. LP1304.006-FZ.

Technical Notes

To DIN 1480 hook & eye.

Tips

Turnbuckles consist of a metal frame with right hand thread one end and left hand thread the other end. Used for tensioning by rotating turnbuckle body without twisting attached rope or cable.

Only suitable for use in tension.

Important Notes

Turnbuckles are not to be used for lifting.

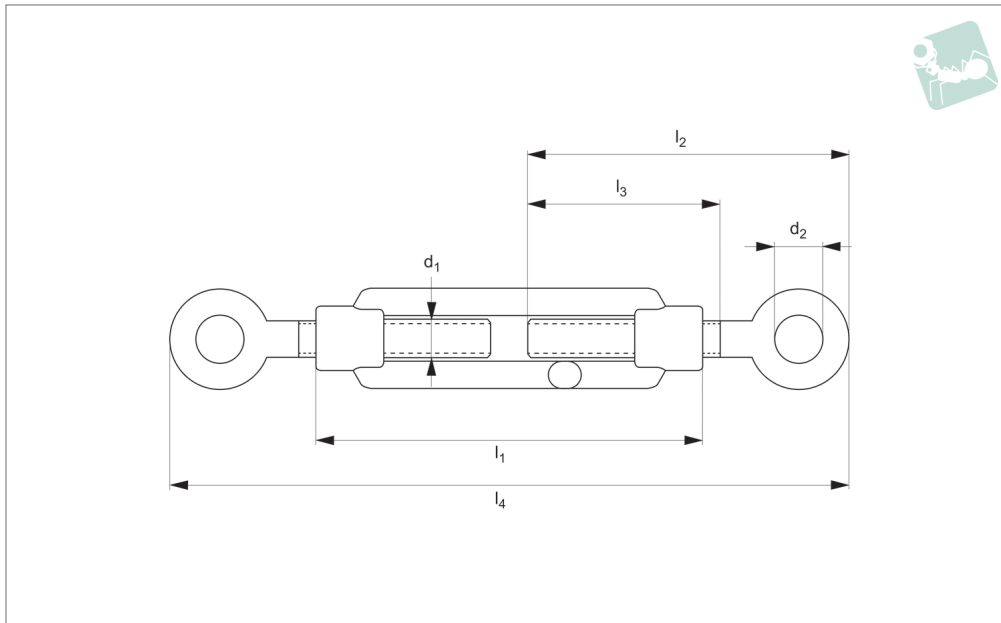
Order No.	d ₁	l ₁	l ₂	l ₃	l ₄	d ₂	l ₅	l ₆ min.	l ₆ max.	w ₁	Weight kg
LP1350.006	M 6	110	74	50	50	10	77.0	151	231	8.0	0.09
LP1350.008	M 8	110	80	60	52	11	98.0	172	253	10.0	0.15
LP1350.010	M10	125	95	73	59	15	116.5	212	297	12.5	0.26
LP1350.012	M12	125	107	90	66	17	146.0	264	344	16.0	0.40
LP1350.016	M16	170	146	100	85	22	165.0	311	421	16.0	0.95
LP1350.020	M20	200	170	105	100	24	180.0	350	480	18.0	1.64
LP1350.024	M24	255	213	135	120	33	225.0	439	609	30.0	2.85
LP1350.030	M30	255	255	140	135	39	255.0	511	671	30.0	4.11
LP1350.036	M36	295	260	170	140	37	300.0	561	741	32.0	7.45



Eye End Turnbuckles

steel

Turnbuckles



LP1340

TURNBUCKLES

Material

Steel (1.0037), zinc-plated.
Hot dip galvanized body, available on request providing increased protection against corrosion. Please add -FZ for hot dip galvanized, e.g. LP1304.006-FZ.

Technical Notes

To DIN 1480 eye to eye.

Tips

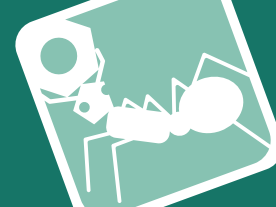
Turnbuckles consist of a metal frame with right hand thread one end and left hand thread the other end. Used for tensioning by rotating turnbuckle body without twisting attached rope or cable.

Only suitable for use in tension.

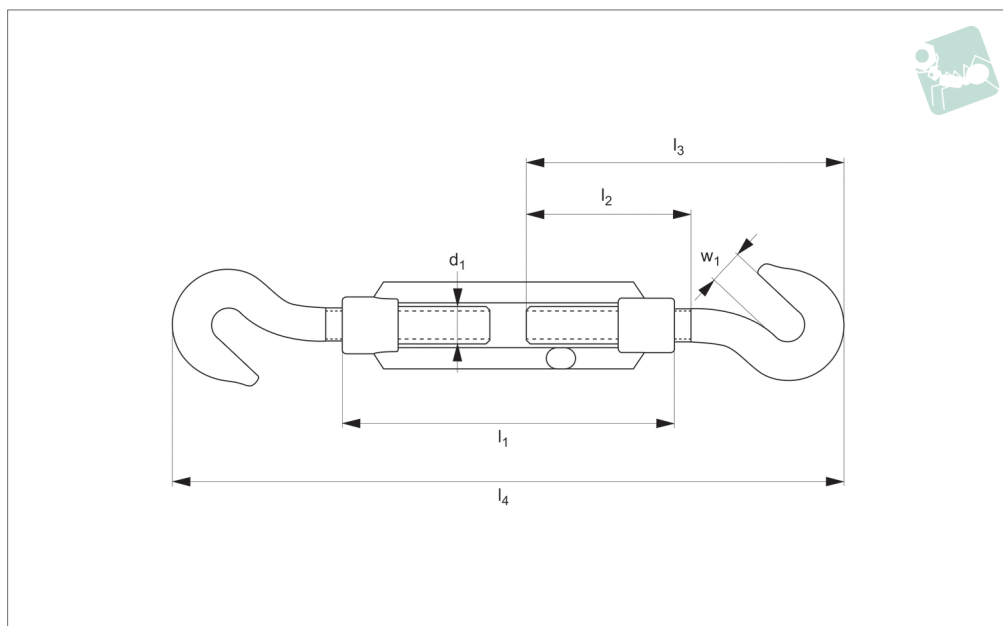
Important Notes

Turnbuckles are not to be used for lifting.

Order No.	d ₁	l ₁	l ₂	l ₃	l ₄ min.	l ₄ max.	d ₂	Weight kg
LP1340.006	M 6	110	74	50	148	228	10	0.09
LP1340.008	M 8	110	80	52	160	235	11	0.14
LP1340.010	M10	125	95	59	191	276	15	0.25
LP1340.012	M12	125	107	66	215	295	17	0.37
LP1340.016	M16	170	146	85	292	402	22	0.90
LP1340.020	M20	200	170	100	340	470	24	1.62
LP1340.024	M24	255	213	134	427	597	33	2.72
LP1340.030	M30	255	255	150	511	671	39	3.94
LP1340.036	M36	295	260	150	521	701	37	7.20
LP1340.042	M42	330	285	165	570	770	48	10.70
LP1340.048	M48	355	335	185	671	866	58	19.10



LP1344



Material

Steel (1.0037), zinc-plated.
Hot dip galvanized body, available on request providing increased protection against corrosion. Please add -FZ for hot dip galvanized, e.g. LP1304.006-FZ.

Technical Notes

To DIN 1480 hook to hook.

Tips

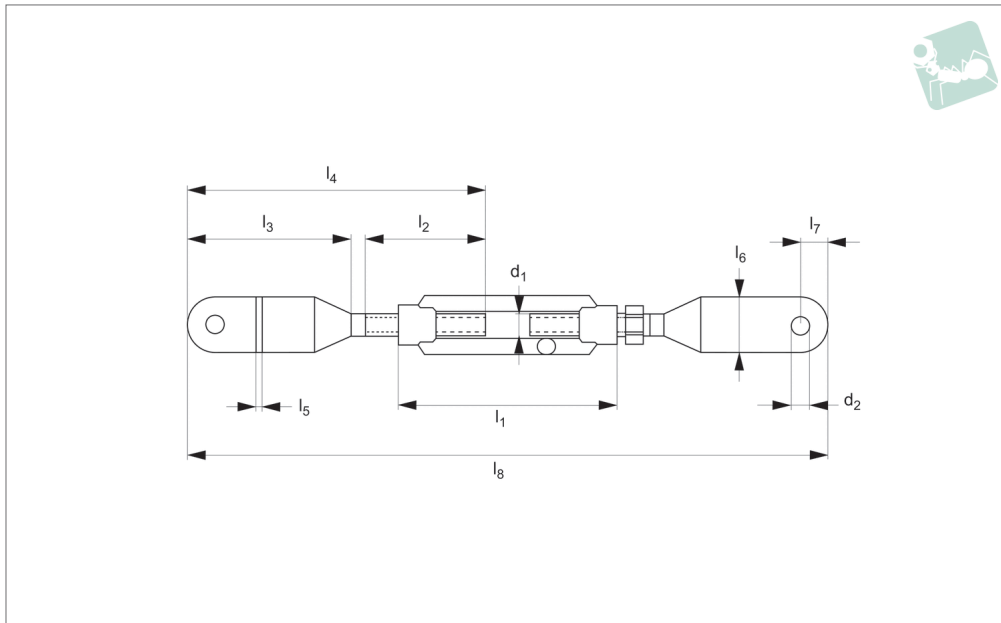
Turnbuckles consist of a metal frame with right hand thread one end and left hand thread the other end. Used for tensioning by rotating turnbuckle body without twisting attached rope or cable.

Only suitable for use in tension.

Important Notes

Turnbuckles are not to be used for lifting.

Order No.	d ₁	l ₁	l ₂	l ₃	l ₄ min.	l ₄ max.	w ₁	Weight kg
LP1344.006	M 6	110	50	77.0	154	234	8.0	0.09
LP1344.008	M 8	110	60	98.0	196	271	10.0	0.16
LP1344.010	M10	125	73	116.5	233	318	12.5	0.27
LP1344.012	M12	125	90	146.0	293	373	16.0	0.42
LP1344.016	M16	170	100	165.0	330	440	16.0	1.00
LP1344.020	M20	200	105	180.0	360	490	18.0	1.66
LP1344.024	M24	255	135	225.0	451	621	30.0	2.98
LP1344.030	M30	255	140	255.0	451	611	30.0	4.28
LP1344.036	M36	295	170	300.0	601	781	32.0	7.70



LP1338

TURNBUCKLES

Material

Steel (1.0037 up to M48 then 1.0052), zinc-plated.

Hot dip galvanized body, available on request providing increased protection against corrosion. Please add -FZ for hot dip galvanized, e.g. LP1304.006-FZ.

Technical Notes

To DIN 1480 plain ends.

Tips

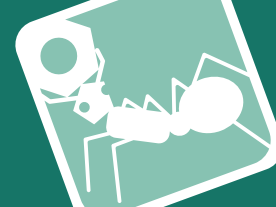
Turnbuckles consist of a metal frame with right hand thread one end and left hand thread the other end. Used for tensioning

by rotating turnbuckle body without twisting attached rope or cable.

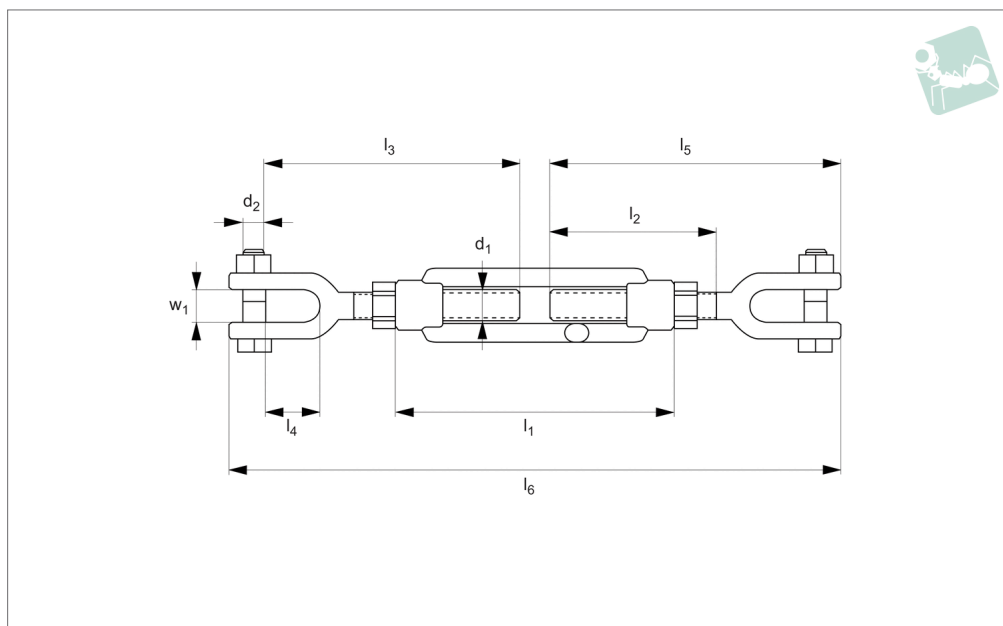
Important Notes

Turnbuckles are not to be used for lifting. Only suitable for use in tension.

Order No.	d ₁	l ₁	l ₂	l ₃	l ₄	d ₂	l ₅	l ₆	l ₇	l ₈ min.	l ₈ max.	Weight kg
LP1338.008	M 8	110	75	50	125	9.0	4	20	11	250	325	0.19
LP1338.010	M10	110	90	60	150	10.5	4	25	13	300	385	0.30
LP1338.012	M12	125	91	74	165	13.0	5	30	16	331	411	0.48
LP1338.016	M16	125	105	135	240	14.0	8	40	20	481	591	1.14
LP1338.020	M20	200	105	135	240	17.0	9	44	26	480	610	1.84
LP1338.024	M24	255	160	145	305	22.0	10	70	43	611	781	3.10



LP1348



Material

Steel body (1.0037), jaws (1.0503), zinc-plated.

Hot dip galvanized body, available on request providing increased protection against corrosion. Please add -FZ for hot dip galvanized, e.g. LP1304.006-FZ.

Technical Notes

To DIN 1480 jaw to jaw.

Tips

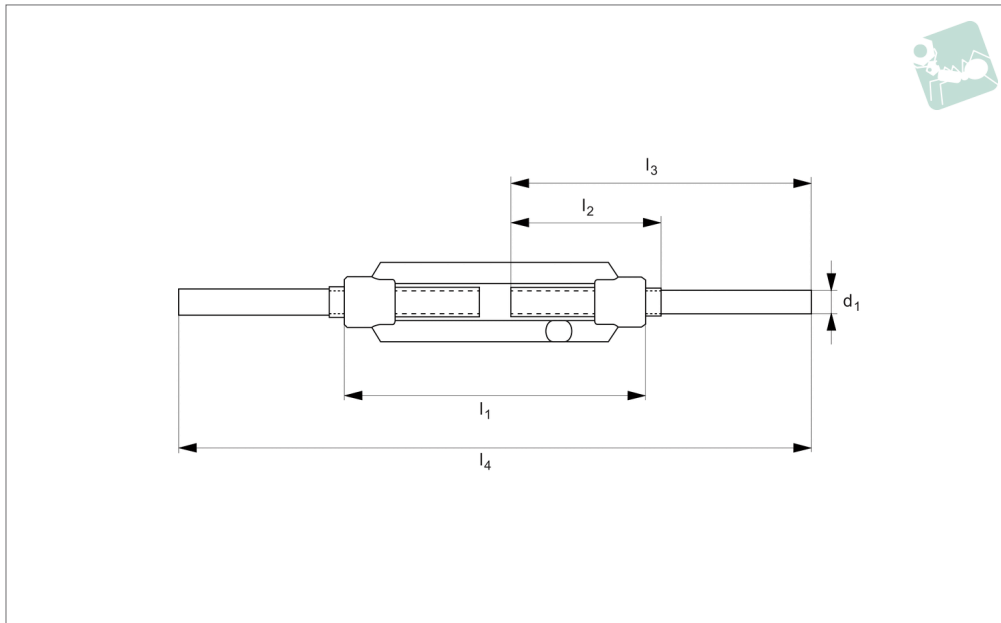
Turnbuckles consist of a metal frame with right hand thread one end and left hand thread the other end. Used for tensioning

by rotating turnbuckle body without twisting attached rope or cable.

Important Notes

Turnbuckles are not to be used for lifting. Only suitable for use in tension.

Order No.	d ₁	l ₁	l ₂	l ₃	l ₄	d ₂	l ₅	l ₆ min.	l ₆ max.	w	Weight kg
LP1348.008	M 8	110	68	116	28.75	8.5	125	250	325	9.0	0.14
LP1348.010	M10	125	82	130	29.25	8.5	139	279	364	10.7	0.26
LP1348.012	M12	125	90	150	44.75	10.5	160	321	401	15.5	0.40
LP1348.016	M16	170	102	172	45.25	12.5	186	372	482	20.0	0.64
LP1348.020	M20	200	115	185	59.50	17.5	205	410	540	23.5	1.30
LP1348.024	M24	255	125	215	62.75	20.5	240	481	651	29.0	2.28
LP1348.030	M30	255	150	255	89.50	25.5	290	581	741	34.0	4.02



LP1334

TURNBUCKLES

Material

Steel (1.0037), zinc-plated.
Hot dip galvanized body, available on request providing increased protection against corrosion. Please add -FZ for hot dip galvanized, e.g. LP1304.006-FZ.

Tips

Turnbuckles consist of a metal frame with right hand thread one end and left hand thread the other end. Used for tensioning by rotating turnbuckle body without twisting attached rope or cable.

Only suitable for use in tension.

Technical Notes

To DIN 1480 stub end.

Important Notes

Turnbuckles are not to be used for lifting.

Order No.	d_1	l_1	l_2	l_3	l_4 min.	l_4 max.	Weight kg
LP1334.006	M 6	110	60	120	240	320	0.10
LP1334.008	M 8	110	65	120	240	315	0.16
LP1334.010	M10	125	75	150	301	386	0.30
LP1334.012	M12	125	75	150	301	381	0.40
LP1334.016	M16	170	100	200	400	510	0.96
LP1334.020	M20	200	120	220	440	570	1.74
LP1334.024	M24	255	150	260	521	691	2.74
LP1334.030	M30	255	160	260	521	681	4.20
LP1334.036	M36	295	180	300	601	781	7.20
LP1334.042	M42	330	200	350	700	900	10.70
LP1334.048	M48	355	220	380	761	956	17.90
LP1334.056	M56	355	230	380	761	956	20.00