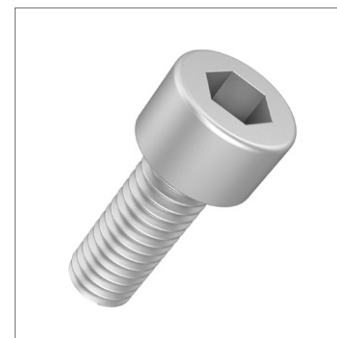
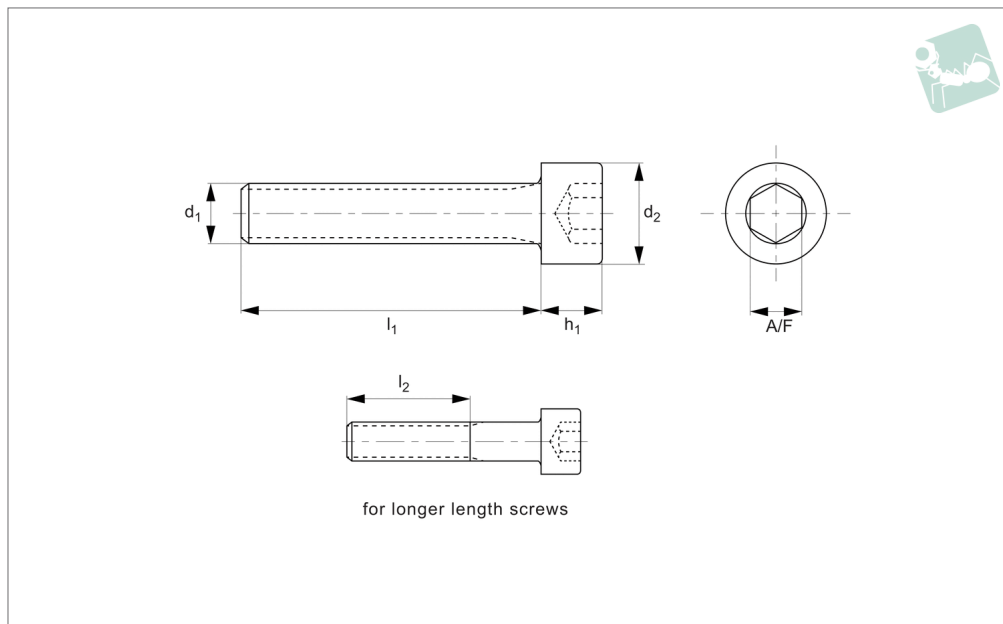




Hexagon Socket Head Cap Screws

Hexagon socket head, DIN 912, 7075

Aluminium



A0020.A7

ALUMINIUM

Material

Aluminium high tensile.

threaded.

See technical page for tightening torques.

Technical Notes

Similar to DIN 912, ISO 4762. All fully

Order No.	Thread	l_1	d_2	h_1	A/F	Material	Finish
A0020.040-010	M 4	10	7	4	3	Aluminium	clear anodised
A0020.040-012	M 4	12	7	4	3	Aluminium	clear anodised
A0020.040-016	M 4	16	7	4	3	Aluminium	clear anodised
A0020.040-020	M 4	20	7	4	3	Aluminium	clear anodised
A0020.040-025	M 4	25	7	4	3	Aluminium	clear anodised
A0020.040-030	M 4	30	7	4	3	Aluminium	clear anodised
A0020.040-035	M 4	35	7	4	3	Aluminium	clear anodised
A0020.050-010	M 5	10	8.5	5	4	Aluminium	clear anodised
A0020.050-012	M 5	12	8.5	5	4	Aluminium	clear anodised
A0020.050-016	M 5	16	8.5	5	4	Aluminium	clear anodised
A0020.050-020	M 5	20	8.5	5	4	Aluminium	clear anodised
A0020.050-025	M 5	25	8.5	5	4	Aluminium	clear anodised
A0020.050-030	M 5	30	8.5	5	4	Aluminium	clear anodised
A0020.050-040	M 5	40	8.5	5	4	Aluminium	clear anodised
A0020.060-010	M 6	10	10	6	5	Aluminium	clear anodised
A0020.060-012	M 6	12	10	6	5	Aluminium	clear anodised
A0020.060-016	M 6	16	10	6	5	Aluminium	clear anodised
A0020.060-020	M 6	20	10	6	5	Aluminium	clear anodised
A0020.060-025	M 6	25	10	6	5	Aluminium	clear anodised
A0020.060-030	M 6	30	10	6	5	Aluminium	clear anodised
A0020.060-035	M 6	35	10	6	5	Aluminium	clear anodised
A0020.060-040	M 6	40	10	6	5	Aluminium	clear anodised
A0020.060-050	M 6	50	10	6	5	Aluminium	clear anodised
A0020.060-060	M 6	60	10	6	5	Aluminium	clear anodised
A0020.060-070	M 6	70	10	6	5	Aluminium	clear anodised
A0020.080-015	M 8	15	13	8	6	Aluminium	clear anodised
A0020.080-020	M 8	20	13	8	6	Aluminium	clear anodised
A0020.080-025	M 8	25	13	8	6	Aluminium	clear anodised
A0020.080-030	M 8	30	13	8	6	Aluminium	clear anodised
A0020.080-040	M 8	40	13	8	6	Aluminium	clear anodised
A0020.080-050	M 8	50	13	8	6	Aluminium	clear anodised
A0020.100-030	M10	30	16	10	8	Aluminium	clear anodised
A0020.100-040	M10	40	16	10	8	Aluminium	clear anodised
A0020.100-050	M10	50	16	10	8	Aluminium	clear anodised



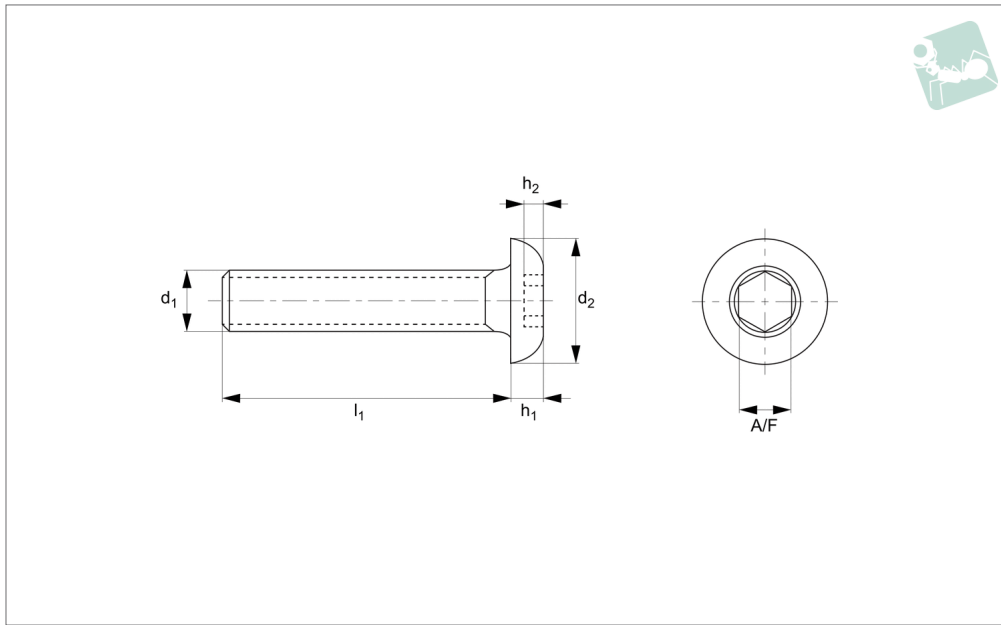
Order No.	Thread	l_1	d_2	h_1	A/F	Material	Finish
A0020.100-060	M10	60	16	10	8	Aluminium	clear anodised



Socket Button Head Screw

Socket Button Head, ISO 7380, 7075

Aluminium



A0022.A7

ALUMINIUM

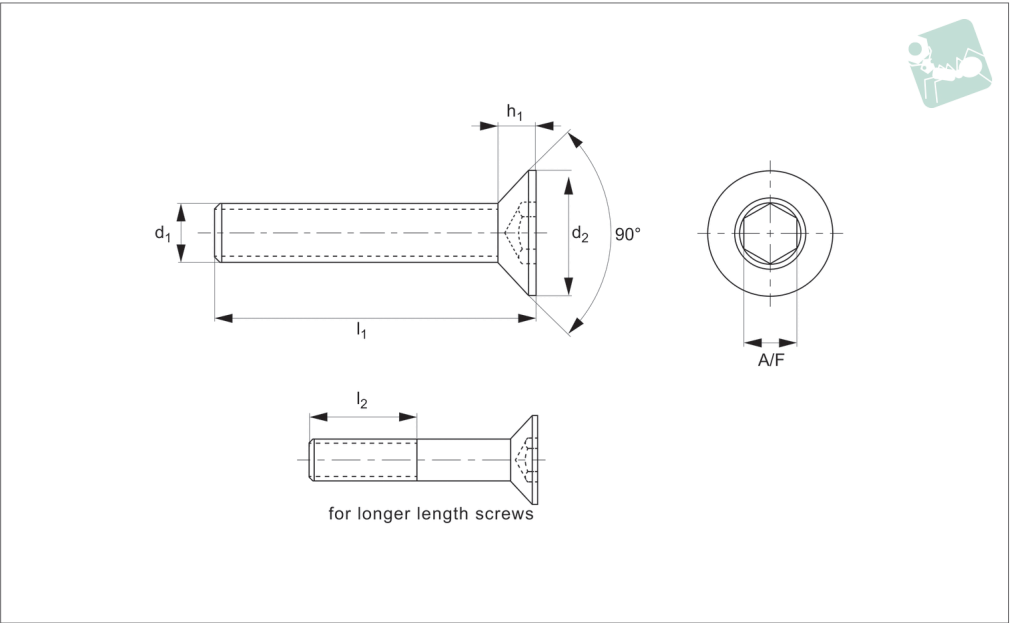
Material

Aluminium high tensile.

Technical Notes

Socket Button Head Screw, Aluminium
7075

Order No.	Thread	l_1	d_2	h_1	h_2	A/F	Material	Finish
A0022.050-016	M 5	16	12	2.75	1.56	3	Aluminium	unfinished
A0022.050-020	M 5	20	12	2.75	1.56	3	Aluminium	unfinished
A0022.060-016	M 6	16	16	3.3	2.08	4	Aluminium	unfinished
A0022.060-020	M 6	20	16	3.3	2.08	4	Aluminium	unfinished
A0022.060-025	M 6	25	16	3.3	2.08	4	Aluminium	unfinished



ALUMINIUM

A0025.A7

Material

Aluminium high tensile.

Screws.

Technical Notes

Hexagon Socket Countersunk head cap

Aluminium H14

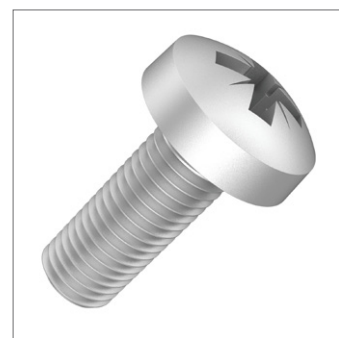
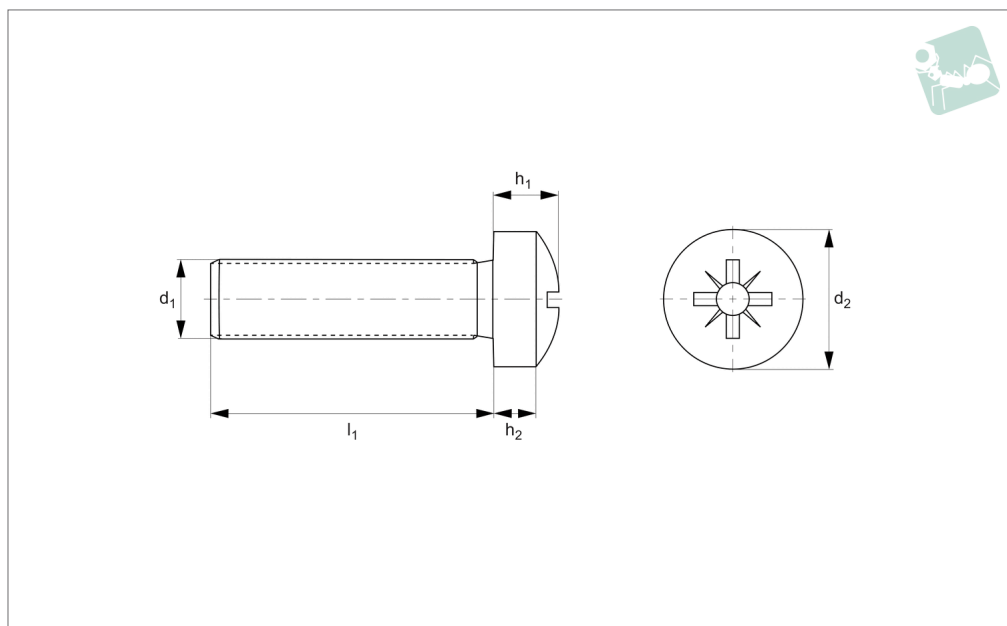
Order No.	Thread	l_1	d_2	h_1	A/F	Material	Finish
A0025.050-020	M 5	20	10	2.3	2.5	Aluminium	unfinished
A0025.060-025	M 6	25	12	2.5	4.0	Aluminium	unfinished
A0025.080-020	M 8	20	16	3.5	5.0	Aluminium	unfinished



Pozi Pan Head Screws

To DIN 7985 Z, 7075

Aluminium



A0028.A7

ALUMINIUM

Material

Aluminium high tensile, grade 7075 anodised.

Technical Notes

Pozi-Panhead screws, DIN 7985, form Z.

Order No.	Thread	l_1	d_2	h_1	Size	Material	Finish
A0028.030-008	M 3	8.0	6.0	2.52	PZ-1	Aluminium	Anodised
A0028.030-010	M 3	10	6.0	2.52	PZ-1	Aluminium	Anodised
A0028.030-012	M 3	12	6.0	2.52	PZ-1	Aluminium	Anodised
A0028.030-016	M 3	16	6.0	2.52	PZ-1	Aluminium	Anodised
A0028.030-020	M 3	20	6.0	2.52	PZ-1	Aluminium	Anodised
A0028.030-030	M 3	30	6.0	2.52	PZ-1	Aluminium	Anodised
A0028.040-010	M 4	10	8.0	3.25	PZ-2	Aluminium	Anodised
A0028.040-012	M 4	12	8.0	3.25	PZ-2	Aluminium	Anodised
A0028.040-016	M 4	16	8.0	3.25	PZ-2	Aluminium	Anodised
A0028.040-020	M 4	20	8.0	3.25	PZ-2	Aluminium	Anodised
A0028.040-025	M 4	25	8.0	3.25	PZ-2	Aluminium	Anodised
A0028.050-016	M 5	16	10.0	3.95	PZ-2	Aluminium	Anodised
A0028.050-030	M 5	30	10.0	3.95	PZ-2	Aluminium	Anodised
A0028.060-012	M 6	12	12.0	4.75	PZ-3	Aluminium	Anodised
A0028.060-016	M 6	16	12.0	4.75	PZ-3	Aluminium	Anodised
A0028.060-020	M 6	20	12.0	4.75	PZ-3	Aluminium	Anodised
A0028.060-030	M 6	30	12.0	4.75	PZ-3	Aluminium	Anodised
A0028.060-040	M 6	40	12.0	4.75	PZ-3	Aluminium	Anodised