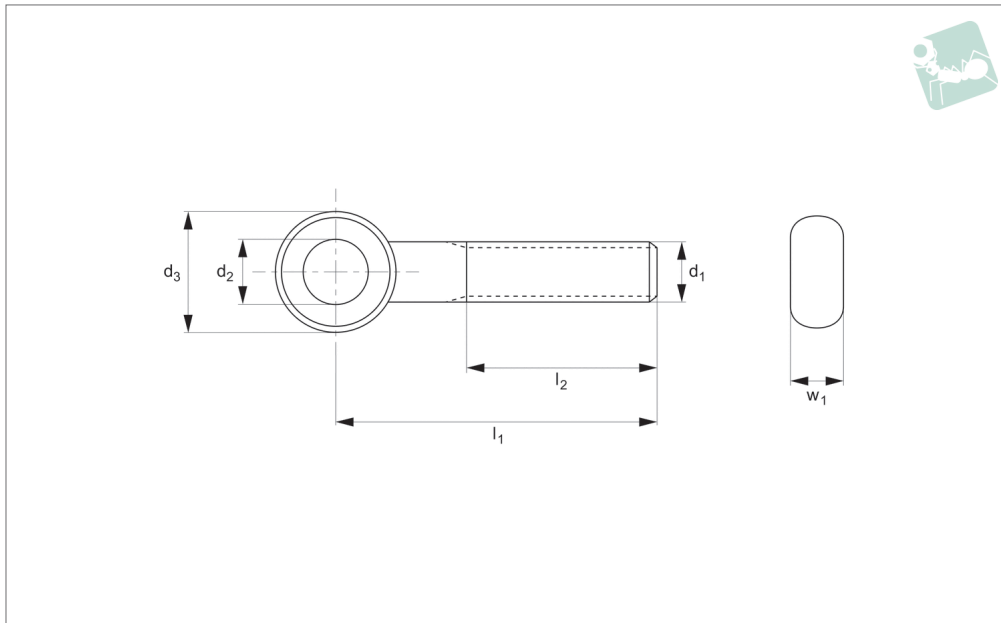




Swing Bolts

Brass

Brass



B1084.B0

BRASS

Material

Brass.

Technical Notes

To DIN 444 B.

Order No.	d ₁ tol. H9	l ₁	d ₂ tol. H7	d ₃	l ₂	w ₁ max.
B1084.060030B000	M6	30	6	14	18	7
B1084.060040B000	M6	40	6	14	18	7
B1084.060050B000	M6	50	6	14	18	7
B1084.080030B000	M8	30	8	18	22	9
B1084.080040B000	M8	40	8	18	22	9
B1084.080050B000	M8	50	8	18	22	9
B1084.080060B000	M8	60	8	18	22	9
B1084.080080B000	M8	80	8	18	22	9
B1084.080100B000	M8	100	8	18	22	9
B1084.100050B000	M10	50	10	20	26	12
B1084.100060B000	M10	60	10	20	26	12
B1084.100080B000	M10	80	10	20	26	12
B1084.100120B000	M10	100	10	20	26	12
B1084.100100B000	M10	120	10	20	26	12
B1084.120040B000	M12	40	12	25	30	14
B1084.120050B000	M12	50	12	25	30	14
B1084.120060B000	M12	60	12	25	30	14
B1084.120080B000	M12	80	12	25	30	14
B1084.120100B000	M12	100	12	25	30	14
B1084.120120B000	M12	120	12	25	30	14
B1084.160060B000	M16	60	16	32	38	17
B1084.160080B000	M16	80	16	32	38	17
B1084.160100B000	M16	100	16	32	38	17
B1084.160120B000	M16	120	16	32	38	17
B1084.200100B000	M20	100	18	40	46	22
B1084.200120B000	M20	120	18	40	46	22
B1084.200140B000	M20	140	18	40	46	22
B1084.200160B000	M20	160	18	40	46	22