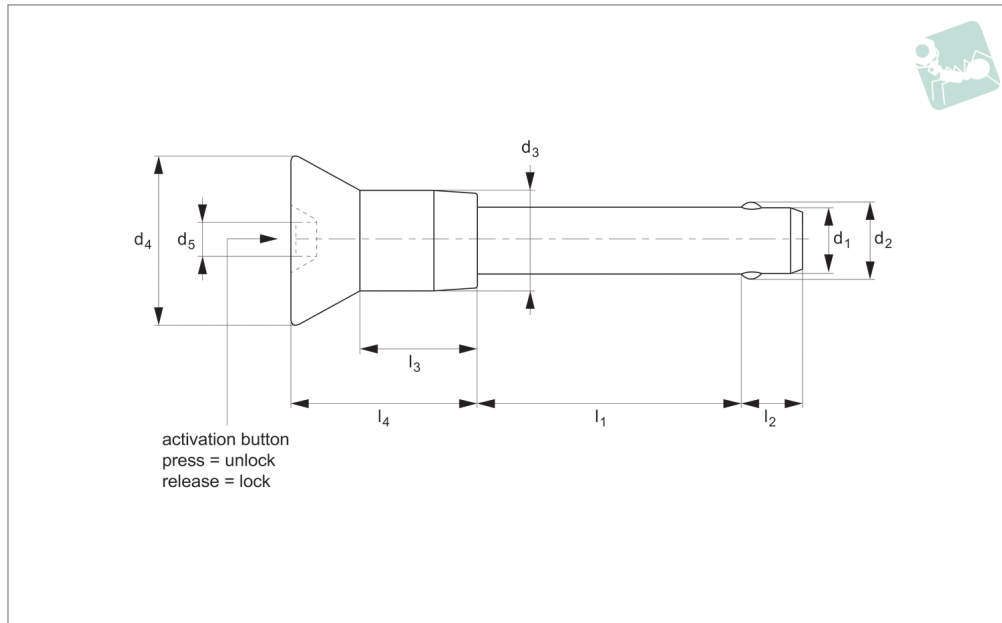




Quick Release Pins - Metric - Cup

precipitation hardened stainless pin - stainless

Quick Release Pins



QR1456

QUICK RELEASE PINS

Material

Pin: stainless steel 17-4PH (DIN 1.4542, AISI 630), precipitation hardened, passivated. Tensile strength 1,300 N/mm² min. HRC 40. RoHS compliant.
Handle: stainless steel, AISI 303 (DIN 1.4305), passivated.
Actuator button: stainless steel, AISI 303 (DIN 1.4305), passivated.

Internal spindle, balls and split ring (supplied); from stainless steel.

Technical Notes

Pressing = unlocking.
Releasing = locking.
Temperature range -30°C to +150°C
Supplied with split ring.

Tips

For quick fastening and locking frequently repeated connections.
For lanyards & retaining cables see part nos. L to LA1224. For easy install locating bushes and end caps see part nos. LA1260 to LA1355.

Order No.	d ₁ nom.	d ₁ max.	d ₁ min.	l ₁ grip +0.50 - 0.00	Material	d ₂ ±0.25	d ₃	d ₄	d ₅	l ₂ ±1.00	l ₃	l ₄	Loc'n hole min. max.	Pull out strength kN min.	Calc. double shear kN
QR1456.M05-010-T	5	4.96	4.92	10	17-4 PH	5.54	11.9	20.6	5.8	6	16.3	24.6	5,0/5,1	0.89	24.4
QR1456.M05-015-T	5	4.96	4.92	15	17-4 PH	5.54	11.9	20.6	5.8	6	16.3	24.6	5,0/5,1	0.89	24.4
QR1456.M05-020-T	5	4.96	4.92	20	17-4 PH	5.54	11.9	20.6	5.8	6	16.3	24.6	5,0/5,1	0.89	24.4
QR1456.M05-025-T	5	4.96	4.92	25	17-4 PH	5.54	11.9	20.6	5.8	6	16.3	24.6	5,0/5,1	0.89	24.4
QR1456.M05-030-T	5	4.96	4.92	30	17-4 PH	5.54	11.9	20.6	5.8	6	16.3	24.6	5,0/5,1	0.89	24.4
QR1456.M05-035-T	5	4.96	4.92	35	17-4 PH	5.54	11.9	20.6	5.8	6	16.3	24.6	5,0/5,1	0.89	24.4
QR1456.M05-040-T	5	4.96	4.92	40	17-4 PH	5.54	11.9	20.6	5.8	6	16.3	24.6	5,0/5,1	0.89	24.4
QR1456.M05-045-T	5	4.96	4.92	45	17-4 PH	5.54	11.9	20.6	5.8	6	16.3	24.6	5,0/5,1	0.89	24.4
QR1456.M05-050-T	5	4.96	4.92	50	17-4 PH	5.54	11.9	20.6	5.8	6	16.3	24.6	5,0/5,1	0.89	24.4
QR1456.M05-060-T	5	4.96	4.92	60	17-4 PH	5.54	11.9	20.6	5.8	6	16.3	24.6	5,0/5,1	0.89	24.4
QR1456.M05-070-T	5	4.96	4.92	70	17-4 PH	5.54	11.9	20.6	5.8	6	16.3	24.6	5,0/5,1	0.89	24.4
QR1456.M05-080-T	5	4.96	4.92	80	17-4 PH	5.54	11.9	20.6	5.8	6	16.3	24.6	5,0/5,1	0.89	24.4
QR1456.M05-090-T	5	4.96	4.92	90	17-4 PH	5.54	11.9	20.6	5.8	6	16.3	24.6	5,0/5,1	0.89	24.4



Order No.	d ₁ nom.	d ₁ max.	d ₁ min.	l ₁ grip +0.50 - 0.00	Material	d ₂ ±0.25	d ₃	d ₄	d ₅	l ₂ ±1.00	l ₃	l ₄	Loc'n hole min. max.	Pull out strength kN min.	Calc. double shear kN
QR1456.M05-100-T	5	4.96	4.92	100	17-4 PH	5.54	11.9	20.6	5.8	6	16.3	24.6	5,0/5,1	0.89	24.4
QR1456.M06-010-T	6	5.96	5.92	10	17-4 PH	6.99	11.9	20.6	5.8	7	16.3	24.6	6,0/6,1	1.02	35.64
QR1456.M06-015-T	6	5.96	5.92	15	17-4 PH	6.99	11.9	20.6	5.8	7	16.3	24.6	6,0/6,1	1.02	35.64
QR1456.M06-020-T	6	5.96	5.92	20	17-4 PH	6.99	11.9	20.6	5.8	7	16.3	24.6	6,0/6,1	1.02	35.64
QR1456.M06-025-T	6	5.96	5.92	25	17-4 PH	6.99	11.9	20.6	5.8	7	16.3	24.6	6,0/6,1	1.02	35.64
QR1456.M06-030-T	6	5.96	5.92	30	17-4 PH	6.99	11.9	20.6	5.8	7	16.3	24.6	6,0/6,1	1.02	35.64
QR1456.M06-035-T	6	5.96	5.92	35	17-4 PH	6.99	11.9	20.6	5.8	7	16.3	24.6	6,0/6,1	1.02	35.64
QR1456.M06-040-T	6	5.96	5.92	40	17-4 PH	6.99	11.9	20.6	5.8	7	16.3	24.6	6,0/6,1	1.02	35.64
QR1456.M06-045-T	6	5.96	5.92	45	17-4 PH	6.99	11.9	20.6	5.8	7	16.3	24.6	6,0/6,1	1.02	35.64
QR1456.M06-050-T	6	5.96	5.92	50	17-4 PH	6.99	11.9	20.6	5.8	7	16.3	24.6	6,0/6,1	1.02	35.64
QR1456.M06-060-T	6	5.96	5.92	60	17-4 PH	6.99	11.9	20.6	5.8	7	16.3	24.6	6,0/6,1	1.02	35.64
QR1456.M06-070-T	6	5.96	5.92	70	17-4 PH	6.99	11.9	20.6	5.8	7	16.3	24.6	6,0/6,1	1.02	35.64
QR1456.M06-080-T	6	5.96	5.92	80	17-4 PH	6.99	11.9	20.6	5.8	7	16.3	24.6	6,0/6,1	1.02	35.64
QR1456.M06-090-T	6	5.96	5.92	90	17-4 PH	6.99	11.9	20.6	5.8	7	16.3	24.6	6,0/6,1	1.02	35.64
QR1456.M06-100-T	6	5.96	5.92	100	17-4 PH	6.99	11.9	20.6	5.8	7	16.3	24.6	6,0/6,1	1.02	35.64
QR1456.M08-010-T	8	7.96	7.92	10	17-4 PH	9.42	11.9	20.6	5.8	8	16.3	24.6	8,0/8,1	2.30	63.80
QR1456.M08-015-T	8	7.96	7.92	15	17-4 PH	9.42	11.9	20.6	5.8	8	16.3	24.6	8,0/8,1	2.30	63.80
QR1456.M08-020-T	8	7.96	7.92	20	17-4 PH	9.42	11.9	20.6	5.8	8	16.3	24.6	8,0/8,1	2.30	63.80
QR1456.M08-025-T	8	7.96	7.92	25	17-4 PH	9.42	11.9	20.6	5.8	8	16.3	24.6	8,0/8,1	2.30	63.80
QR1456.M08-030-T	8	7.96	7.92	30	17-4 PH	9.42	11.9	20.6	5.8	8	16.3	24.6	8,0/8,1	2.30	63.80
QR1456.M08-035-T	8	7.96	7.92	35	17-4 PH	9.42	11.9	20.6	5.8	8	16.3	24.6	8,0/8,1	2.30	63.80
QR1456.M08-040-T	8	7.96	7.92	40	17-4 PH	9.42	11.9	20.6	5.8	8	16.3	24.6	8,0/8,1	2.30	63.80
QR1456.M08-045-T	8	7.96	7.92	45	17-4 PH	9.42	11.9	20.6	5.8	8	16.3	24.6	8,0/8,1	2.30	63.80
QR1456.M08-050-T	8	7.96	7.92	50	17-4 PH	9.42	11.9	20.6	5.8	8	16.3	24.6	8,0/8,1	2.30	63.80
QR1456.M08-060-T	8	7.96	7.92	60	17-4 PH	9.42	11.9	20.6	5.8	8	16.3	24.6	8,0/8,1	2.30	63.80
QR1456.M08-070-T	8	7.96	7.92	70	17-4 PH	9.42	11.9	20.6	5.8	8	16.3	24.6	8,0/8,1	2.30	63.80
QR1456.M08-080-T	8	7.96	7.92	80	17-4 PH	9.42	11.9	20.6	5.8	8	16.3	24.6	8,0/8,1	2.30	63.80
QR1456.M08-090-T	8	7.96	7.92	90	17-4 PH	9.42	11.9	20.6	5.8	8	16.3	24.6	8,0/8,1	2.30	63.80
QR1456.M08-100-T	8	7.96	7.92	100	17-4 PH	9.42	11.9	20.6	5.8	8	16.3	24.6	8,0/8,1	2.30	63.80
QR1456.M10-015-T	10	9.96	9.92	15	17-4 PH	11.8 6	14.2	23.9	7.4	9	16.8	26.9	10,0/ 10,1	2.56	100.10
QR1456.M10-020-T	10	9.96	9.92	20	17-4 PH	11.8 6	14.2	23.9	7.4	9	16.8	26.9	10,0/ 10,1	2.56	100.10
QR1456.M10-025-T	10	9.96	9.92	25	17-4 PH	11.8 6	14.2	23.9	7.4	9	16.8	26.9	10,0/ 10,1	2.56	100.10
QR1456.M10-030-T	10	9.96	9.92	30	17-4 PH	11.8 6	14.2	23.9	7.4	9	16.8	26.9	10,0/ 10,1	2.56	100.10



Quick Release Pins - Metric - Cup

precipitation hardened stainless pin - stainless

Quick Release Pins

Order No.	d ₁ nom.	d ₁ max.	d ₁ min.	l ₁ grip +0.50 - 0.00	Material	d ₂ ±0.25	d ₃	d ₄	d ₅	l ₂ ±1.00	l ₃	l ₄	Loc'n hole min. max.	Pull out strength kN min.	Calc. double shear kN
QR1456.M10-035-T	10	9.96	9.92	35	17-4 PH	11.8 6	14.2	23.9	7.4	9	16.8	26.9	10,0/ 10,1	2.56	100.10
QR1456.M10-040-T	10	9.96	9.92	40	17-4 PH	11.8 6	14.2	23.9	7.4	9	16.8	26.9	10,0/ 10,1	2.56	100.10
QR1456.M10-045-T	10	9.96	9.92	45	17-4 PH	11.8 6	14.2	23.9	7.4	9	16.8	26.9	10,0/ 10,1	2.56	100.10
QR1456.M10-050-T	10	9.96	9.92	50	17-4 PH	11.8 6	14.2	23.9	7.4	9	16.8	26.9	10,0/ 10,1	2.56	100.10
QR1456.M10-060-T	10	9.96	9.92	60	17-4 PH	11.8 6	14.2	23.9	7.4	9	16.8	26.9	10,0/ 10,1	2.56	100.10
QR1456.M10-070-T	10	9.96	9.92	70	17-4 PH	11.8 6	14.2	23.9	7.4	9	16.8	26.9	10,0/ 10,1	2.56	100.10
QR1456.M10-080-T	10	9.96	9.92	80	17-4 PH	11.8 6	14.2	23.9	7.4	9	16.8	26.9	10,0/ 10,1	2.56	100.10
QR1456.M10-090-T	10	9.96	9.92	90	17-4 PH	11.8 6	14.2	23.9	7.4	9	16.8	26.9	10,0/ 10,1	2.56	100.10
QR1456.M10-100-T	10	9.96	9.92	100	17-4 PH	11.8 6	14.2	23.9	7.4	9	16.8	26.9	10,0/ 10,1	2.56	100.10
QR1456.M12-020-T	12	11.9 6	11.9 2	20	17-4 PH	14.4 5	18.3	28.4	10.7	10	25.4	33.3	12,0/ 12,1	5.16	144.06
QR1456.M12-025-T	12	11.9 6	11.9 2	25	17-4 PH	14.4 5	18.3	28.4	10.7	10	25.4	33.3	12,0/ 12,1	5.16	144.06
QR1456.M12-030-T	12	11.9 6	11.9 2	30	17-4 PH	14.4 5	18.3	28.4	10.7	10	25.4	33.3	12,0/ 12,1	5.16	144.06
QR1456.M12-035-T	12	11.9 6	11.9 2	35	17-4 PH	14.4 5	18.3	28.4	10.7	10	25.4	33.3	12,0/ 12,1	5.16	144.06
QR1456.M12-040-T	12	11.9 6	11.9 2	40	17-4 PH	14.4 5	18.3	28.4	10.7	10	25.4	33.3	12,0/ 12,1	5.16	144.06
QR1456.M12-045-T	12	11.9 6	11.9 2	45	17-4 PH	14.4 5	18.3	28.4	10.7	10	25.4	33.3	12,0/ 12,1	5.16	144.06
QR1456.M12-050-T	12	11.9 6	11.9 2	50	17-4 PH	14.4 5	18.3	28.4	10.7	10	25.4	33.3	12,0/ 12,1	5.16	144.06
QR1456.M12-060-T	12	11.9 6	11.9 2	60	17-4 PH	14.4 5	18.3	28.4	10.7	10	25.4	33.3	12,0/ 12,1	5.16	144.06
QR1456.M12-070-T	12	11.9 6	11.9 2	70	17-4 PH	14.4 5	18.3	28.4	10.7	10	25.4	33.3	12,0/ 12,1	5.16	144.06
QR1456.M12-080-T	12	11.9 6	11.9 2	80	17-4 PH	14.4 5	18.3	28.4	10.7	10	25.4	33.3	12,0/ 12,1	5.16	144.06
QR1456.M12-090-T	12	11.9 6	11.9 2	90	17-4 PH	14.4 5	18.3	28.4	10.7	10	25.4	33.3	12,0/ 12,1	5.16	144.06
QR1456.M12-100-T	12	11.9 6	11.9 2	100	17-4 PH	14.4 5	18.3	28.4	10.7	10	25.4	33.3	12,0/ 12,1	5.16	144.06
QR1456.M16-025-T	16	15.9 6	15.9 2	25	17-4 PH	19.0 0	23.8	36.5	13.7	14	28.2	42.9	16,0/ 16,1	9.21	257.18
QR1456.M16-030-T	16	15.9 6	15.9 2	30	17-4 PH	19.0 0	23.8	36.5	13.7	14	28.2	42.9	16,0/ 16,1	9.21	257.18
QR1456.M16-035-T	16	15.9 6	15.9 2	35	17-4 PH	19.0 0	23.8	36.5	13.7	14	28.2	42.9	16,0/ 16,1	9.21	257.18
QR1456.M16-040-T	16	15.9 6	15.9 2	40	17-4 PH	19.0 0	23.8	36.5	13.7	14	28.2	42.9	16,0/ 16,1	9.21	257.18
QR1456.M16-045-T	16	15.9 6	15.9 2	45	17-4 PH	19.0 0	23.8	36.5	13.7	14	28.2	42.9	16,0/ 16,1	9.21	257.18
QR1456.M16-050-T	16	15.9 6	15.9 2	50	17-4 PH	19.0 0	23.8	36.5	13.7	14	28.2	42.9	16,0/ 16,1	9.21	257.18
QR1456.M16-060-T	16	15.9 6	15.9 2	60	17-4 PH	19.0 0	23.8	36.5	13.7	14	28.2	42.9	16,0/ 16,1	9.21	257.18
QR1456.M16-070-T	16	15.9 6	15.9 2	70	17-4 PH	19.0 0	23.8	36.5	13.7	14	28.2	42.9	16,0/ 16,1	9.21	257.18
QR1456.M16-080-T	16	15.9 6	15.9 2	80	17-4 PH	19.0 0	23.8	36.5	13.7	14	28.2	42.9	16,0/ 16,1	9.21	257.18
QR1456.M16-090-T	16	15.9 6	15.9 2	90	17-4 PH	19.0 0	23.8	36.5	13.7	14	28.2	42.9	16,0/ 16,1	9.21	257.18
QR1456.M16-100-T	16	15.9 6	15.9 2	100	17-4 PH	19.0 0	23.8	36.5	13.7	14	28.2	42.9	16,0/ 16,1	9.21	257.18

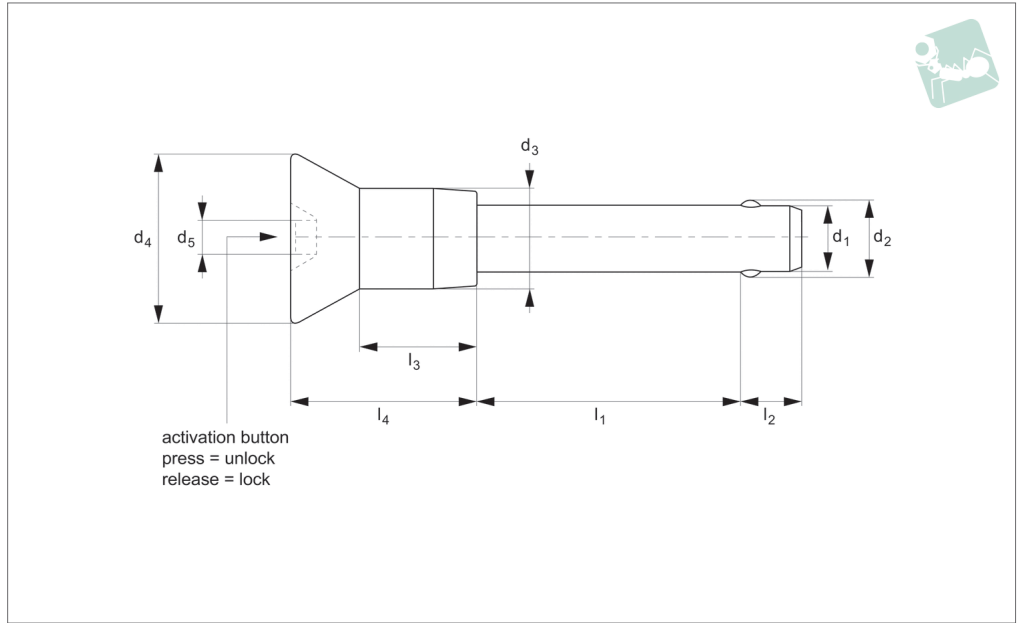
QUICK RELEASE PINS

Quick Release Pins

Quick Release Pins - Inch - Cup handle stainless pin - stainless handle



QR1474



QUICK RELEASE PINS

Material

Pin: stainless steel, AISI 304 (DIN 1.4301) or AISI 303 (DIN 1.4305), passivated.
Tensile strength 500 N/mm² min. RoHS compliant.
Handle: stainless steel, AISI 303 (DIN 1.4305), passivated.
Actuator button: stainless steel, AISI 303 (DIN 1.4305), passivated.

Internal spindle, balls and split ring (supplied); from stainless steel.

Technical Notes

Pressing = unlocking.
Releasing = locking.
Temperature range -30°C to +150°C
Supplied with split ring.

Tips

For quick fastening and locking frequently repeated connections.
For lanyards & retaining cables see part nos. L to LA1224. For easy install locating bushes and end caps see part nos. LA1260 to LA1355.

Order No.	d ₁ nom.	d ₁ max.	d ₁ min.	l ₁ grip +0.02 -0.00	Material	d ₂ ±0.005	d ₃	d ₄	d ₅	l ₂ +0.000 -0.030	l ₃	l ₄	Loc'n hole min. max.	Pull out strength lb min.	Calc. double shear lb
QR1474.I25-050-S	1/4	,248 5	,247 0	0.50	304 SS	0.28 9	0.47	0.81	0.23	0.290	0.64	0.97	,2500/ ,2540	230	2200
QR1474.I25-075-S	1/4	,248 5	,247 0	0.75	304 SS	0.28 9	0.47	0.81	0.23	0.290	0.64	0.97	,2500/ ,2540	230	2200
QR1474.I25-100-S	1/4	,248 5	,247 0	1.00	304 SS	0.28 9	0.47	0.81	0.23	0.290	0.64	0.97	,2500/ ,2540	230	2200
QR1474.I25-125-S	1/4	,248 5	,247 0	1.25	304 SS	0.28 9	0.47	0.81	0.23	0.290	0.64	0.97	,2500/ ,2540	230	2200
QR1474.I25-150-S	1/4	,248 5	,247 0	1.50	304 SS	0.28 9	0.47	0.81	0.23	0.290	0.64	0.97	,2500/ ,2540	230	2200
QR1474.I25-175-S	1/4	,248 5	,247 0	1.75	304 SS	0.28 9	0.47	0.81	0.23	0.290	0.64	0.97	,2500/ ,2540	230	2200
QR1474.I25-200-S	1/4	,248 5	,247 0	2.00	304 SS	0.28 9	0.47	0.81	0.23	0.290	0.64	0.97	,2500/ ,2540	230	2200
QR1474.I25-250-S	1/4	,248 5	,247 0	2.50	304 SS	0.28 9	0.47	0.81	0.23	0.290	0.64	0.97	,2500/ ,2540	230	2200
QR1474.I25-300-S	1/4	,248 5	,247 0	3.00	304 SS	0.28 9	0.47	0.81	0.23	0.290	0.64	0.97	,2500/ ,2540	230	2200
QR1474.I25-350-S	1/4	,248 5	,247 0	3.50	304 SS	0.28 9	0.47	0.81	0.23	0.290	0.64	0.97	,2500/ ,2540	230	2200
QR1474.I25-400-S	1/4	,248 5	,247 0	4.00	304 SS	0.28 9	0.47	0.81	0.23	0.290	0.64	0.97	,2500/ ,2540	230	2200
QR1474.I31-050-S	5/16	,311 0	,309 5	0.50	304 SS	0.37 5	0.47	0.81	0.23	0.330	0.64	0.97	,3125/ ,3165	510	3500
QR1474.I31-075-S	5/16	,311 0	,309 5	0.75	304 SS	0.37 5	0.47	0.81	0.23	0.330	0.64	0.97	,3125/ ,3165	510	3500



Quick Release Pins - Inch - Cup handle

stainless pin - stainless handle

Quick Release Pins

Order No.	d ₁ nom.	d ₁ max.	d ₁ min.	l ₁ grip +0.02 - -0.00	Mate rial	d ₂ ±0.0 05	d ₃	d ₄	d ₅	l ₂ +0.000 - 0.030	l ₃	l ₄	Loc'n hole min. max.	Pull out strength lb min.	Calc. double shear lb
QR1474.I31-100-S	5/16	,311 0	,309 5	1.00	304 SS	0.37 5	0.47	0.81	0.23	0.330	0.64	0.97	,3125/ ,3165	510	3500
QR1474.I31-125-S	5/16	,311 0	,309 5	1.25	304 SS	0.37 5	0.47	0.81	0.23	0.330	0.64	0.97	,3125/ ,3165	510	3500
QR1474.I31-150-S	5/16	,311 0	,309 5	1.50	304 SS	0.37 5	0.47	0.81	0.23	0.330	0.64	0.97	,3125/ ,3165	510	3500
QR1474.I31-175-S	5/16	,311 0	,309 5	1.75	304 SS	0.37 5	0.47	0.81	0.23	0.330	0.64	0.97	,3125/ ,3165	510	3500
QR1474.I31-200-S	5/16	,311 0	,309 5	2.00	304 SS	0.37 5	0.47	0.81	0.23	0.330	0.64	0.97	,3125/ ,3165	510	3500
QR1474.I31-250-S	5/16	,311 0	,309 5	2.50	304 SS	0.37 5	0.47	0.81	0.23	0.330	0.64	0.97	,3125/ ,3165	510	3500
QR1474.I31-300-S	5/16	,311 0	,309 5	3.00	304 SS	0.37 5	0.47	0.81	0.23	0.330	0.64	0.97	,3125/ ,3165	510	3500
QR1474.I31-350-S	5/16	,311 0	,309 5	3.50	304 SS	0.37 5	0.47	0.81	0.23	0.330	0.64	0.97	,3125/ ,3165	510	3500
QR1474.I31-400-S	5/16	,311 0	,309 5	4.00	304 SS	0.37 5	0.47	0.81	0.23	0.330	0.64	0.97	,3125/ ,3165	510	3500
QR1474.I37-050-S	3/8	,373 5	,309 5	0.50	304 SS	0.44 0	0.56	0.94	0.29	0.365	0.66	1.06	,3750/ ,3790	575	4500
QR1474.I37-075-S	3/8	,373 5	,309 5	0.75	304 SS	0.44 0	0.56	0.94	0.29	0.365	0.66	1.06	,3750/ ,3790	575	4500
QR1474.I37-100-S	3/8	,373 5	,309 5	1.00	304 SS	0.44 0	0.56	0.94	0.29	0.365	0.66	1.06	,3750/ ,3790	575	4500
QR1474.I37-125-S	3/8	,373 5	,309 5	1.25	304 SS	0.44 0	0.56	0.94	0.29	0.365	0.66	1.06	,3750/ ,3790	575	4500
QR1474.I37-150-S	3/8	,373 5	,309 5	1.50	304 SS	0.44 0	0.56	0.94	0.29	0.365	0.66	1.06	,3750/ ,3790	575	4500
QR1474.I37-175-S	3/8	,373 5	,309 5	1.75	304 SS	0.44 0	0.56	0.94	0.29	0.365	0.66	1.06	,3750/ ,3790	575	4500
QR1474.I37-200-S	3/8	,373 5	,309 5	2.00	304 SS	0.44 0	0.56	0.94	0.29	0.365	0.66	1.06	,3750/ ,3790	575	4500
QR1474.I37-250-S	3/8	,373 5	,309 5	2.50	304 SS	0.44 0	0.56	0.94	0.29	0.365	0.66	1.06	,3750/ ,3790	575	4500
QR1474.I37-300-S	3/8	,373 5	,309 5	3.00	304 SS	0.44 0	0.56	0.94	0.29	0.365	0.66	1.06	,3750/ ,3790	575	4500
QR1474.I37-350-S	3/8	,373 5	,309 5	3.50	304 SS	0.44 0	0.56	0.94	0.29	0.365	0.66	1.06	,3750/ ,3790	575	4500
QR1474.I37-400-S	3/8	,373 5	,309 5	4.00	304 SS	0.44 0	0.56	0.94	0.29	0.365	0.66	1.06	,3750/ ,3790	575	4500
QR1474.I50-100-S	1/2	,498 5	,497 0	1.00	304 SS	0.59 4	0.72	1.12	0.42	0.460	0.89	1.31	,5000/ ,5050	1160	11500
QR1474.I50-125-S	1/2	,498 5	,497 0	1.25	304 SS	0.59 4	0.72	1.12	0.42	0.460	0.89	1.31	,5000/ ,5050	1160	11500
QR1474.I50-150-S	1/2	,498 5	,497 0	1.50	304 SS	0.59 4	0.72	1.12	0.42	0.460	0.89	1.31	,5000/ ,5050	1160	11500
QR1474.I50-175-S	1/2	,498 5	,497 0	1.75	304 SS	0.59 4	0.72	1.12	0.42	0.460	0.89	1.31	,5000/ ,5050	1160	11500
QR1474.I50-200-S	1/2	,498 5	,497 0	2.00	304 SS	0.59 4	0.72	1.12	0.42	0.460	0.89	1.31	,5000/ ,5050	1160	11500
QR1474.I50-250-S	1/2	,498 5	,497 0	2.50	304 SS	0.59 4	0.72	1.12	0.42	0.460	0.89	1.31	,5000/ ,5050	1160	11500
QR1474.I50-300-S	1/2	,498 5	,497 0	3.00	304 SS	0.59 4	0.72	1.12	0.42	0.460	0.89	1.31	,5000/ ,5050	1160	11500
QR1474.I50-350-S	1/2	,498 5	,497 0	3.50	304 SS	0.59 4	0.72	1.12	0.42	0.460	0.89	1.31	,5000/ ,5050	1160	11500
QR1474.I50-400-S	1/2	,498 5	,497 0	4.00	304 SS	0.59 4	0.72	1.12	0.42	0.460	0.89	1.31	,5000/ ,5050	1160	11500
QR1474.I50-450-S	1/2	,498 5	,497 0	4.50	304 SS	0.59 4	0.72	1.12	0.42	0.460	0.89	1.31	,5000/ ,5050	1160	11500
QR1474.I50-500-S	1/2	,498 5	,497 0	5.00	304 SS	0.59 4	0.72	1.12	0.42	0.460	0.89	1.31	,5000/ ,5050	1160	11500
QR1474.I50-550-S	1/2	,498 5	,497 0	5.50	304 SS	0.59 4	0.72	1.12	0.42	0.460	0.89	1.31	,5000/ ,5050	1160	11500
QR1474.I50-600-S	1/2	,498 5	,497 0	6.00	304 SS	0.59 4	0.72	1.12	0.42	0.460	0.89	1.31	,5000/ ,5050	1160	11500

QUICK RELEASE PINS

Quick Release Pins

Quick Release Pins - Inch - Cup handle

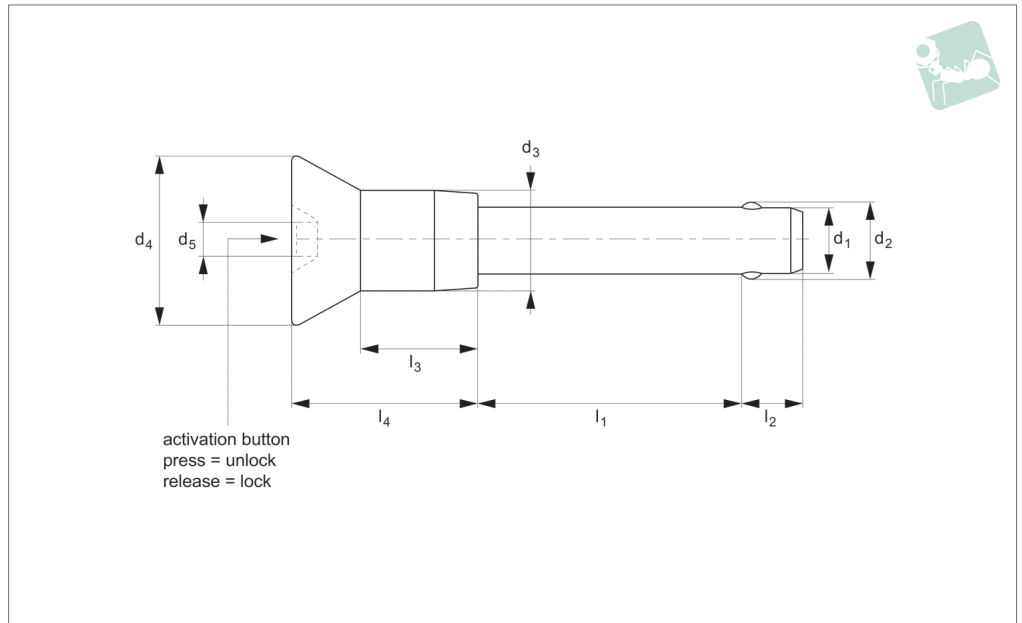
precipitation hardened stainless pin - stainless



QUICK RELEASE PINS



QR1476



Material

Pin: stainless steel 17-4PH (DIN 1.4542, AISI 630), precipitation hardened, passivated. Tensile strength 1,300 N/mm² min. HRC 40. RoHS compliant.
Handle: stainless steel, AISI 303 (DIN 1.4305), passivated.
Actuator button: stainless steel, AISI 303 (DIN 1.4305), passivated.

Internal spindle, balls and split ring (supplied); from stainless steel.

Technical Notes

Pressing = unlocking.
Releasing = locking.
Temperature range -30°C to +150°C
Supplied with split ring.

Tips

For quick fastening and locking frequently repeated connections.
For lanyards & retaining cables see part nos. L to LA1224. For easy install locating bushes and end caps see part nos. LA1260 to LA1355.

Order No.	d ₁ nom.	d ₁ max.	d ₁ min.	l ₁ grip +0.02 - -0.00	Material	d ₂ ±0.0 05	d ₃	d ₄	d ₅	l ₂ +0.000 - -0.030	l ₃	l ₄	Loc'n hole min. max.	Pull out strength lb min.	Calc. double shear lb
QR1476.I18-050-T	3/16	,188 5	,187 0	0.50	17-4 PH	0.22 0	0.47	0.81	0.23	0.260	0.64	0.97	,1900/ ,1940	200	5150
QR1476.I18-075-T	3/16	,188 5	,187 0	0.75	17-4 PH	0.22 0	0.47	0.81	0.23	0.260	0.64	0.97	,1900/ ,1940	200	5150
QR1476.I18-100-T	3/16	,188 5	,187 0	1.00	17-4 PH	0.22 0	0.47	0.81	0.23	0.260	0.64	0.97	,1900/ ,1940	200	5150
QR1476.I18-125-T	3/16	,188 5	,187 0	1.25	17-4 PH	0.22 0	0.47	0.81	0.23	0.260	0.64	0.97	,1900/ ,1940	200	5150
QR1476.I18-150-T	3/16	,188 5	,187 0	1.50	17-4 PH	0.22 0	0.47	0.81	0.23	0.260	0.64	0.97	,1900/ ,1940	200	5150
QR1476.I18-175-T	3/16	,188 5	,187 0	1.75	17-4 PH	0.22 0	0.47	0.81	0.23	0.260	0.64	0.97	,1900/ ,1940	200	5150
QR1476.I18-200-T	3/16	,188 5	,187 0	2.00	17-4 PH	0.22 0	0.47	0.81	0.23	0.260	0.64	0.97	,1900/ ,1940	200	5150
QR1476.I18-250-T	3/16	,188 5	,187 0	2.50	17-4 PH	0.22 0	0.47	0.81	0.23	0.260	0.64	0.97	,1900/ ,1940	200	5150
QR1476.I18-300-T	3/16	,188 5	,187 0	3.00	17-4 PH	0.22 0	0.47	0.81	0.23	0.260	0.64	0.97	,1900/ ,1940	200	5150
QR1476.I18-350-T	3/16	,188 5	,187 0	3.50	17-4 PH	0.22 0	0.47	0.81	0.23	0.260	0.64	0.97	,1900/ ,1940	200	5150
QR1476.I18-400-T	3/16	,188 5	,187 0	4.00	17-4 PH	0.22 0	0.47	0.81	0.23	0.260	0.64	0.97	,1900/ ,1940	200	5150
QR1476.I25-050-T	1/4	,248 5	,247 0	0.50	17-4 PH	0.28 9	0.47	0.81	0.23	0.290	0.64	0.97	,2500/ ,2540	230	9200
QR1476.I25-075-T	1/4	,248 5	,247 0	0.75	17-4 PH	0.28 9	0.47	0.81	0.23	0.290	0.64	0.97	,2500/ ,2540	230	9200



Quick Release Pins - Inch - Cup handle

precipitation hardened stainless pin - stainless

Quick Release Pins

Order No.	d ₁ nom.	d ₁ max.	d ₁ min.	l ₁ grip +0.02 - -0.00	Mate rial	d ₂ ±0.0 05	d ₃	d ₄	d ₅	l ₂ +0.000 - 0.030	l ₃	l ₄	Loc'n hole min. max.	Pull out strength lb min.	Calc. double shear lb
QR1476.I25-100-T	1/4	.248 5	.247 0	1.00	17-4 PH	0.28 9	0.47	0.81	0.23	0.290	0.64	0.97	.2500/ .2540	230	9200
QR1476.I25-125-T	1/4	.248 5	.247 0	1.25	17-4 PH	0.28 9	0.47	0.81	0.23	0.290	0.64	0.97	.2500/ .2540	230	9200
QR1476.I25-150-T	1/4	.248 5	.247 0	1.50	17-4 PH	0.28 9	0.47	0.81	0.23	0.290	0.64	0.97	.2500/ .2540	230	9200
QR1476.I25-175-T	1/4	.248 5	.247 0	1.75	17-4 PH	0.28 9	0.47	0.81	0.23	0.290	0.64	0.97	.2500/ .2540	230	9200
QR1476.I25-200-T	1/4	.248 5	.247 0	2.00	17-4 PH	0.28 9	0.47	0.81	0.23	0.290	0.64	0.97	.2500/ .2540	230	9200
QR1476.I25-250-T	1/4	.248 5	.247 0	2.50	17-4 PH	0.28 9	0.47	0.81	0.23	0.290	0.64	0.97	.2500/ .2540	230	9200
QR1476.I25-300-T	1/4	.248 5	.247 0	3.00	17-4 PH	0.28 9	0.47	0.81	0.23	0.290	0.64	0.97	.2500/ .2540	230	9200
QR1476.I25-350-T	1/4	.248 5	.247 0	3.50	17-4 PH	0.28 9	0.47	0.81	0.23	0.290	0.64	0.97	.2500/ .2540	230	9200
QR1476.I25-400-T	1/4	.248 5	.247 0	4.00	17-4 PH	0.28 9	0.47	0.81	0.23	0.290	0.64	0.97	.2500/ .2540	230	9200
QR1476.I31-050-T	5/16	.311 0	.309 5	0.50	17-4 PH	0.37 5	0.47	0.81	0.23	0.330	0.64	0.97	.3125/ .3165	510	14400
QR1476.I31-075-T	5/16	.311 0	.309 5	0.75	17-4 PH	0.37 5	0.47	0.81	0.23	0.330	0.64	0.97	.3125/ .3165	510	14400
QR1476.I31-100-T	5/16	.311 0	.309 5	1.00	17-4 PH	0.37 5	0.47	0.81	0.23	0.330	0.64	0.97	.3125/ .3165	510	14400
QR1476.I31-125-T	5/16	.311 0	.309 5	1.25	17-4 PH	0.37 5	0.47	0.81	0.23	0.330	0.64	0.97	.3125/ .3165	510	14400
QR1476.I31-150-T	5/16	.311 0	.309 5	1.50	17-4 PH	0.37 5	0.47	0.81	0.23	0.330	0.64	0.97	.3125/ .3165	510	14400
QR1476.I31-175-T	5/16	.311 0	.309 5	1.75	17-4 PH	0.37 5	0.47	0.81	0.23	0.330	0.64	0.97	.3125/ .3165	510	14400
QR1476.I31-200-T	5/16	.311 0	.309 5	2.00	17-4 PH	0.37 5	0.47	0.81	0.23	0.330	0.64	0.97	.3125/ .3165	510	14400
QR1476.I31-250-T	5/16	.311 0	.309 5	2.50	17-4 PH	0.37 5	0.47	0.81	0.23	0.330	0.64	0.97	.3125/ .3165	510	14400
QR1476.I31-300-T	5/16	.311 0	.309 5	3.00	17-4 PH	0.37 5	0.47	0.81	0.23	0.330	0.64	0.97	.3125/ .3165	510	14400
QR1476.I31-350-T	5/16	.311 0	.309 5	3.50	17-4 PH	0.37 5	0.47	0.81	0.23	0.330	0.64	0.97	.3125/ .3165	510	14400
QR1476.I31-400-T	5/16	.311 0	.309 5	4.00	17-4 PH	0.37 5	0.47	0.81	0.23	0.330	0.64	0.97	.3125/ .3165	510	14400
QR1476.I37-050-T	3/8	.373 5	.372 0	0.50	17-4 PH	0.44 0	0.56	0.94	0.29	0.365	0.66	1.06	.3750/ .3790	575	20600
QR1476.I37-075-T	3/8	.373 5	.372 0	0.75	17-4 PH	0.44 0	0.56	0.94	0.29	0.365	0.66	1.06	.3750/ .3790	575	20600
QR1476.I37-100-T	3/8	.373 5	.372 0	1.00	17-4 PH	0.44 0	0.56	0.94	0.29	0.365	0.66	1.06	.3750/ .3790	575	20600
QR1476.I37-125-T	3/8	.373 5	.372 0	1.25	17-4 PH	0.44 0	0.56	0.94	0.29	0.365	0.66	1.06	.3750/ .3790	575	20600
QR1476.I37-150-T	3/8	.373 5	.372 0	1.50	17-4 PH	0.44 0	0.56	0.94	0.29	0.365	0.66	1.06	.3750/ .3790	575	20600
QR1476.I37-175-T	3/8	.373 5	.372 0	1.75	17-4 PH	0.44 0	0.56	0.94	0.29	0.365	0.66	1.06	.3750/ .3790	575	20600
QR1476.I37-200-T	3/8	.373 5	.372 0	2.00	17-4 PH	0.44 0	0.56	0.94	0.29	0.365	0.66	1.06	.3750/ .3790	575	20600
QR1476.I37-250-T	3/8	.373 5	.372 0	2.50	17-4 PH	0.44 0	0.56	0.94	0.29	0.365	0.66	1.06	.3750/ .3790	575	20600
QR1476.I37-300-T	3/8	.373 5	.372 0	3.00	17-4 PH	0.44 0	0.56	0.94	0.29	0.365	0.66	1.06	.3750/ .3790	575	20600
QR1476.I37-350-T	3/8	.373 5	.372 0	3.50	17-4 PH	0.44 0	0.56	0.94	0.29	0.365	0.66	1.06	.3750/ .3790	575	20600
QR1476.I37-400-T	3/8	.373 5	.372 0	4.00	17-4 PH	0.44 0	0.56	0.94	0.29	0.365	0.66	1.06	.3750/ .3790	575	20600
QR1476.I50-100-T	1/2	.498 5	.497 0	1.00	17-4 PH	0.59 4	0.72	1.12	0.42	0.460	0.89	1.31	.5000/ .5050	1160	36800
QR1476.I50-125-T	1/2	.498 5	.497 0	1.25	17-4 PH	0.59 4	0.72	1.12	0.42	0.460	0.89	1.31	.5000/ .5050	1160	36800

QUICK RELEASE PINS

Quick Release Pins

Quick Release Pins - Inch - Cup handle

precipitation hardened stainless pin - stainless



QUICK RELEASE PINS

Order No.	d ₁ nom.	d ₁ max.	d ₁ min.	l ₁ grip +0.02 -0.00	Material	d ₂ ±0.005	d ₃	d ₄	d ₅	l ₂ +0.000 -0.030	l ₃	l ₄	Loc'n hole min. max.	Pull out strength lb min.	Calc. double shear lb
QR1476.I50-150-T	1/2	,498 5	,497 0	1.50	17-4 PH	0.59 4	0.72	1.12	0.42	0.460	0.89	1.31	,5000/ ,5050	1160	36800
QR1476.I50-175-T	1/2	,498 5	,497 0	1.75	17-4 PH	0.59 4	0.72	1.12	0.42	0.460	0.89	1.31	,5000/ ,5050	1160	36800
QR1476.I50-200-T	1/2	,498 5	,497 0	2.00	17-4 PH	0.59 4	0.72	1.12	0.42	0.460	0.89	1.31	,5000/ ,5050	1160	36800
QR1476.I50-250-T	1/2	,498 5	,497 0	2.50	17-4 PH	0.59 4	0.72	1.12	0.42	0.460	0.89	1.31	,5000/ ,5050	1160	36800
QR1476.I50-300-T	1/2	,498 5	,497 0	3.00	17-4 PH	0.59 4	0.72	1.12	0.42	0.460	0.89	1.31	,5000/ ,5050	1160	36800
QR1476.I50-350-T	1/2	,498 5	,497 0	3.50	17-4 PH	0.59 4	0.72	1.12	0.42	0.460	0.89	1.31	,5000/ ,5050	1160	36800
QR1476.I50-400-T	1/2	,498 5	,497 0	4.00	17-4 PH	0.59 4	0.72	1.12	0.42	0.460	0.89	1.31	,5000/ ,5050	1160	36800
QR1476.I50-450-T	1/2	,498 5	,497 0	4.50	17-4 PH	0.59 4	0.72	1.12	0.42	0.460	0.89	1.31	,5000/ ,5050	1160	36800
QR1476.I50-500-T	1/2	,498 5	,497 0	5.00	17-4 PH	0.59 4	0.72	1.12	0.42	0.460	0.89	1.31	,5000/ ,5050	1160	36800
QR1476.I50-550-T	1/2	,498 5	,497 0	5.50	17-4 PH	0.59 4	0.72	1.12	0.42	0.460	0.89	1.31	,5000/ ,5050	1160	36800
QR1476.I50-600-T	1/2	,498 5	,497 0	6.00	17-4 PH	0.59 4	0.72	1.12	0.42	0.460	0.89	1.31	,5000/ ,5050	1160	36800
QR1476.I62-150-T	5/8	,623 5	,622 0	1.50	17-4 PH	0.75 0	0.94	1.44	0.54	0.580	1.12	1.69	,6250/ ,6300	2070	57500
QR1476.I62-175-T	5/8	,623 5	,622 0	1.75	17-4 PH	0.75 0	0.94	1.44	0.54	0.580	1.12	1.69	,6250/ ,6300	2070	57500
QR1476.I62-200-T	5/8	,623 5	,622 0	2.00	17-4 PH	0.75 0	0.94	1.44	0.54	0.580	1.12	1.69	,6250/ ,6300	2070	57500
QR1476.I62-250-T	5/8	,623 5	,622 0	2.50	17-4 PH	0.75 0	0.94	1.44	0.54	0.580	1.12	1.69	,6250/ ,6300	2070	57500
QR1476.I62-300-T	5/8	,623 5	,622 0	3.00	17-4 PH	0.75 0	0.94	1.44	0.54	0.580	1.12	1.69	,6250/ ,6300	2070	57500
QR1476.I62-350-T	5/8	,623 5	,622 0	3.50	17-4 PH	0.75 0	0.94	1.44	0.54	0.580	1.12	1.69	,6250/ ,6300	2070	57500
QR1476.I62-400-T	5/8	,623 5	,622 0	4.00	17-4 PH	0.75 0	0.94	1.44	0.54	0.580	1.12	1.69	,6250/ ,6300	2070	57500
QR1476.I62-450-T	5/8	,623 5	,622 0	4.50	17-4 PH	0.75 0	0.94	1.44	0.54	0.580	1.12	1.69	,6250/ ,6300	2070	57500
QR1476.I62-500-T	5/8	,623 5	,622 0	5.00	17-4 PH	0.75 0	0.94	1.44	0.54	0.580	1.12	1.69	,6250/ ,6300	2070	57500
QR1476.I62-550-T	5/8	,623 5	,622 0	5.50	17-4 PH	0.75 0	0.94	1.44	0.54	0.580	1.12	1.69	,6250/ ,6300	2070	57500
QR1476.I62-600-T	5/8	,623 5	,622 0	6.00	17-4 PH	0.75 0	0.94	1.44	0.54	0.580	1.12	1.69	,6250/ ,6300	2070	57500